

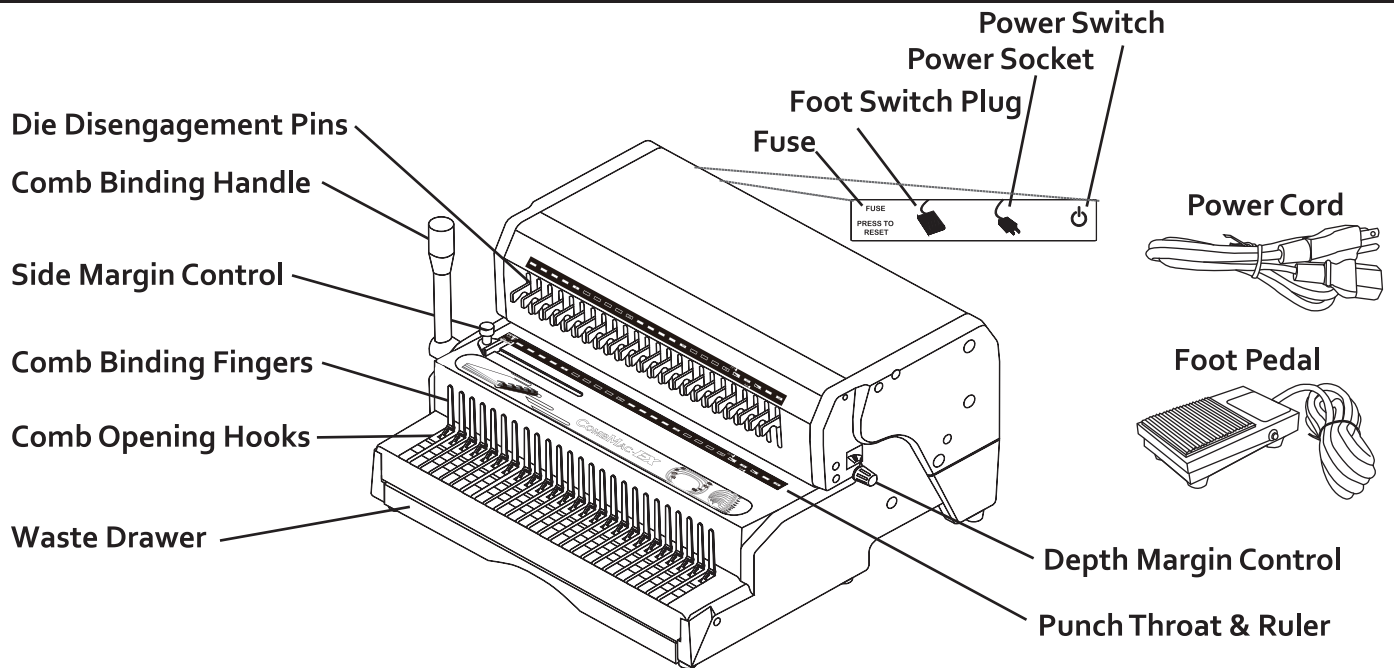
Introduction

Congratulations on the purchase of your new **CombMac-EX**, a Professional and Heavy-Duty Comb Punch and Binding Machine. Your **CombMac-EX** was designed with a full range of functions and premium quality components to guarantee you an effortless and professional bind, as well as many years of trouble-free service.

Important

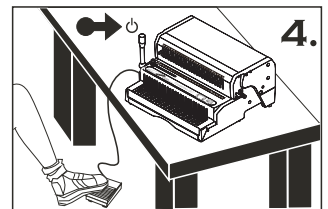
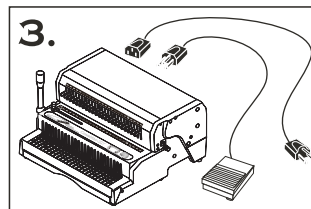
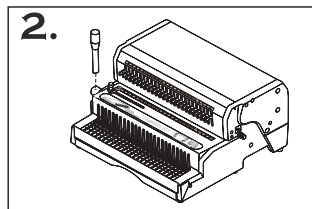
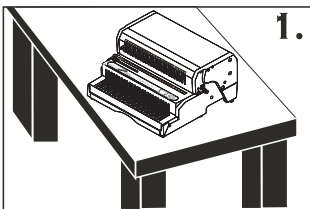
We recommend that you take a few minutes to familiarize yourself with the functions of your new machine. You will find that with just a little practice, any person can achieve professional results.

Features



Assembly

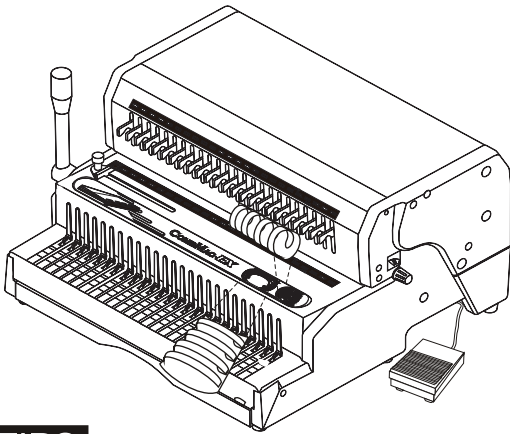
1. Place your new **CombMac-EX** on top of a sturdy working table (Picture 1).
2. Install the Comb Binding Handle on the left side of the machine (Picture 2).
3. Plug the power cord and foot pedal into the back of the machine (Picture 3).
4. Turn on the power switch and place the foot pedal on the floor (Picture 4).



Safety Instructions

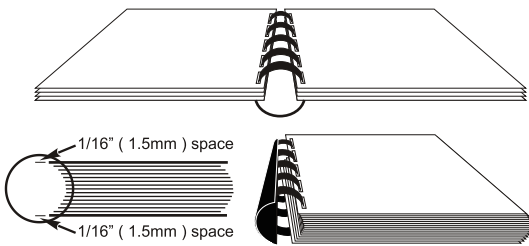
- * Do not allow children to operate the machine, as it is not a toy.
- * Always turn off the machine and place the foot pedal out of reach when machine is not in use.
- * To reduce the risk of electrical shock, never operate the machine near water.
- * Do not use the machine if the power cord is damaged.
- * Do not allow the electrical cord to be in contact with hot surfaces.
- * In case of malfunction, please contact your dealer for technical support.

Setup

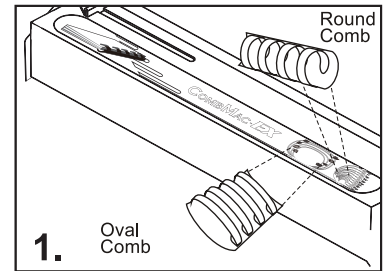


TIPS

For easy turning of pages, make sure you have the correct depth margin for the size of your book. As a rule, you should use a comb at least 1/8" (3mm) larger than the thickness of your bound documents.

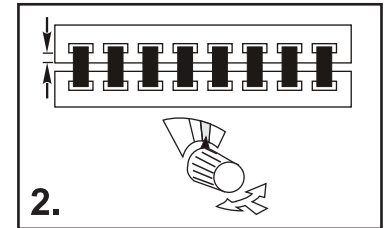


1. If you do not know the size of your comb, use the **Master Selector** to identify the size of your comb.

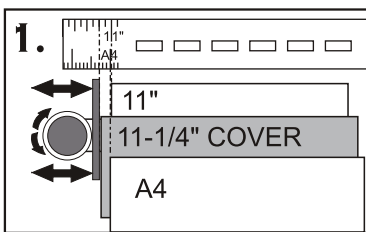


2. Push and turn the **Depth Margin Control** to 1 of 4 colors depending on the size of your comb.

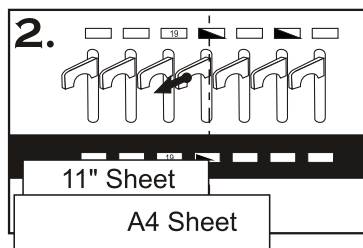
Green: 3/16" - 5/16" combs
 Yellow: 3/8" to 1/2" combs
 Gray: 9/16" to 1-1/4" combs
 Red: 1-1/2" and larger combs



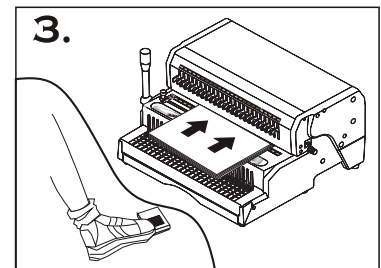
Punching



1. Align **Side Margin Control** to proper sheet and cover size.
 Note: There are different side margins for 11" sheets & their 11-1/4" covers.



2. Pull out Disengagement Pins to avoid partially punched holes.

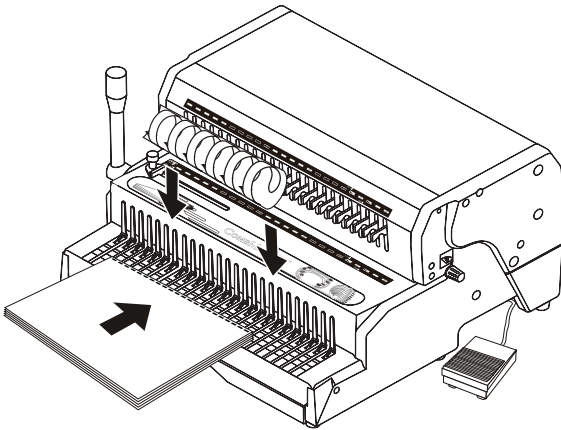


3. Insert sheets and press foot pedal to punch.

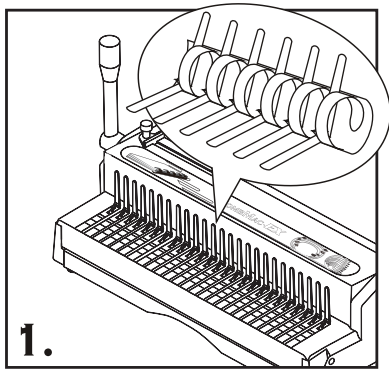
TIPS

Maximum single punching capacity is **25 sheets** (20 lb paper).
 Recommended number of sheets per punch (for maximum equipment durability): 20 sheets (20 lb paper).
 Empty the waste drawer from time to time. An overfilled waste drawer may cause the machine to malfunction and void your warranty.

Comb Binding

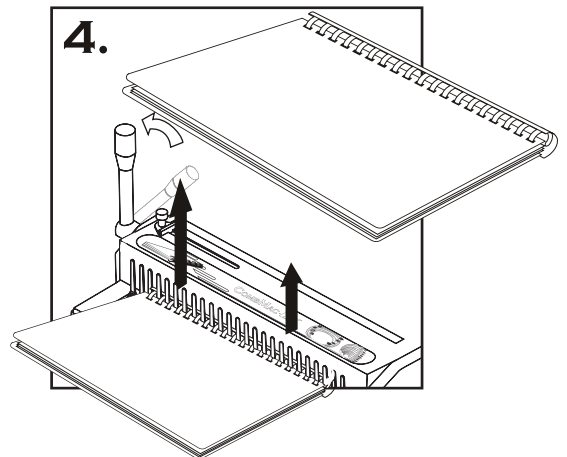
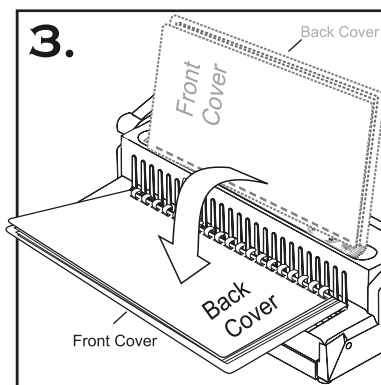
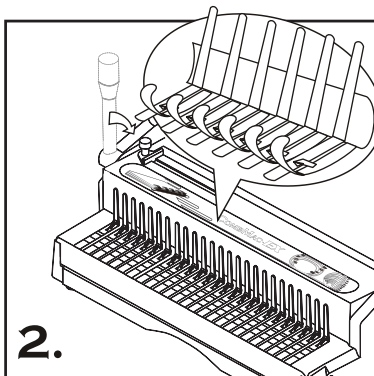


1. Place your comb behind the **Comb Binding Fingers**. The comb opening side should be facing upward.
2. Slowly push the **Comb Binding Handle** forward to open the comb until the comb binder is opened enough to allow pages and covers to be inserted.



3. Neatly align the pages and covers, while holding the book tightly. Feed the comb through the holes, with the front of the book facing down and the back of the book facing up.

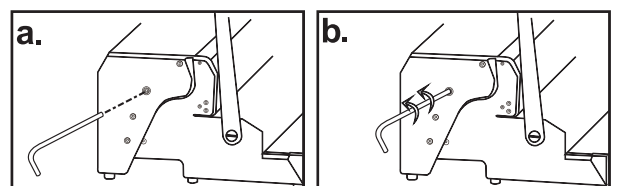
4. When the comb is fully positioned through the holes, slowly pull the handle towards you to close the comb. Lift the bound document from the machine and the binding is complete.



IN CASE OF PAPER JAM

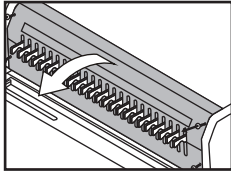
The punch cycle will automatically stop when the machine is overloaded with too many sheets. When this occurs, please use the manual jam release.

1. Shut off the power switch.
2. Insert a 6 mm Allen key (not included) into the hole in the left side panel of the machine (Picture A).
3. Rotate the Allen key counter clockwise to pull the punch pins out of the sheet (Picture B).
4. Remove all sheets from the punch throat.
5. Remove Allen key from the machine, then turn ON the power and press the foot pedal to make sure machine operates correctly.

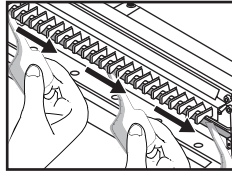


Maintenance

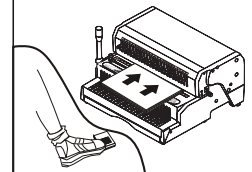
It is recommended you lubricate the punching blades inside the machine 1-2 times a year depending on use.



1. Take off the front cover of the machine by first removing the 4 screws.



2. Lubricate the punching blades with lithium or synthetic grease.



3. Punch scratch paper or paper towels to get rid of excess residue.

Technical Information

Size	Comb 9/16" (14.28mm)		
Punching Length	14"	=	24 Holes
	LEGAL	=	23 Holes
	A4	=	21 Holes
	11"	=	19 Holes
	8.5"	=	15 Holes
	A5	=	14 Holes
Binding Capacity	Sheets 70-80 g/m ²	Diameters Inch	mm
	ROUND COMB		
	30	1/4	6
	50	5/16	8
	60	3/8	9
	80	7/16	10
	100	1/2	12
	120	9/16	15
	140	5/8	16
	160	3/4	20
	190	7/8	22
	220	1	25
	240	1-1/8	28
	OVAL COMB		
280	1-1/4	32	
310	1-1/2	38	
350	1-3/4	45	
400	2	50	

Warranty Policy

Your machine has a warranty of one year from the date of purchase. In the event of a manufacturer's defect, your distributor will repair or replace the machine at their option. This warranty does not cover damages due to improper use or mis-treatment of the unit, including any extraordinary event leading to the damage of the machine, whether it is reversible or not.

If the machine is not working properly, please contact your dealer for technical support. Please have your machine's serial number and purchase date ready. If the machine must be returned for repair, it is your responsibility to properly pack and ship the machine as any damage incurred during its transportation is not covered by our warranty policy.