

DATA SHEET

# DTLF 2.200 ROTARY VANE COMPRESSORS

oil-free  
air-cooled

---

**MAKE IT BECKER.**

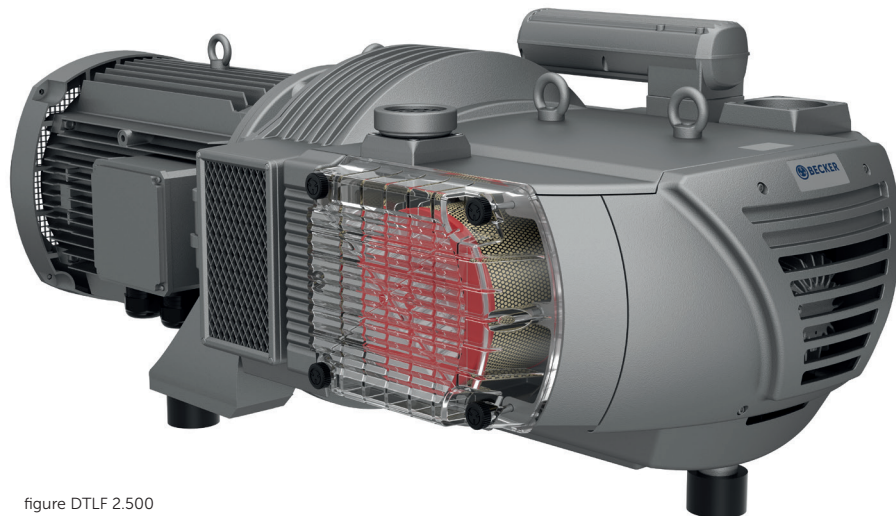
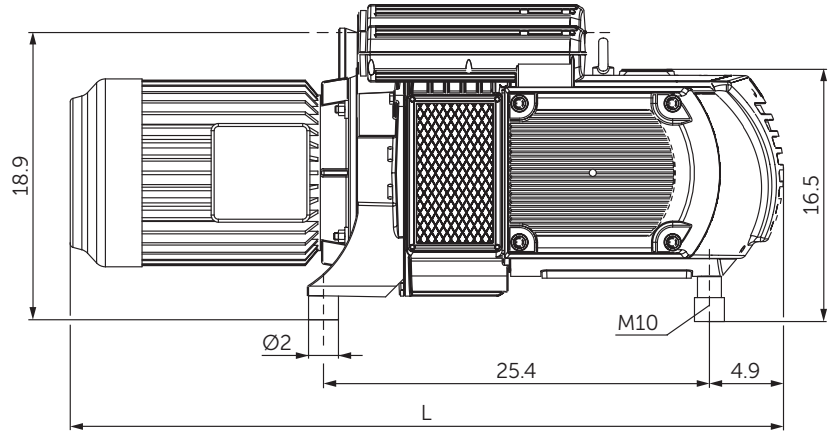
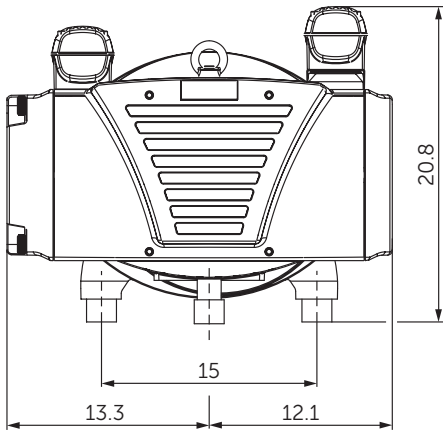
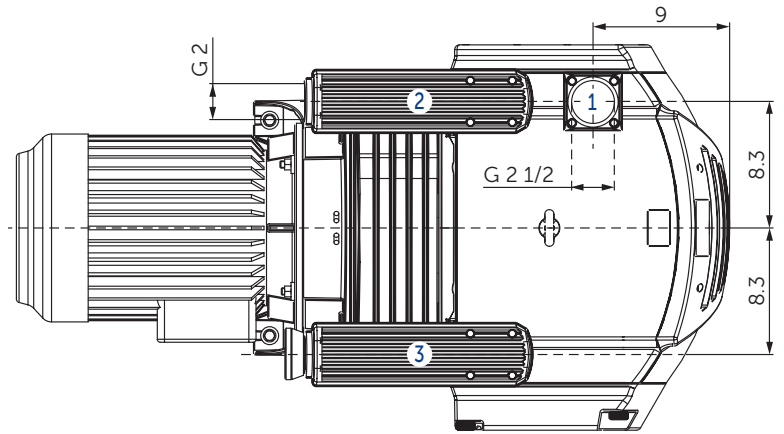


figure DTLF 2.500



- 1 Pressure connection (G2½)
- 2 Pressure safety valve with silencer
- 3 Air nozzle with silencer
- Including integrated suction air filter
- The motor illustration may vary
- Dimensions in inch



Blast air rate		Pressure		Motors		Emission sound pressure level <sup>1)</sup>		Weight w/o motor
CFM		PSIG		hp		dB(A)		lbs
50 Hz	60 Hz	50 Hz	60 Hz	50 Hz	60 Hz	50 Hz	60 Hz	
102	127	7.25	7.25	7.4	8.9	80	80	363.8
102	127	21.75	21.75	10.1	12.1	82	82	363.8
102	127	26.1/29 <sup>2)</sup>	26.1/29 <sup>2)</sup>	14.8 <sup>3)</sup>	17.7 <sup>3)</sup>	82	83	363.8

<sup>1)</sup> According to DIN EN ISO 11203, accuracy class of measurement: class 2, extended measurement uncertainty: 3 dB

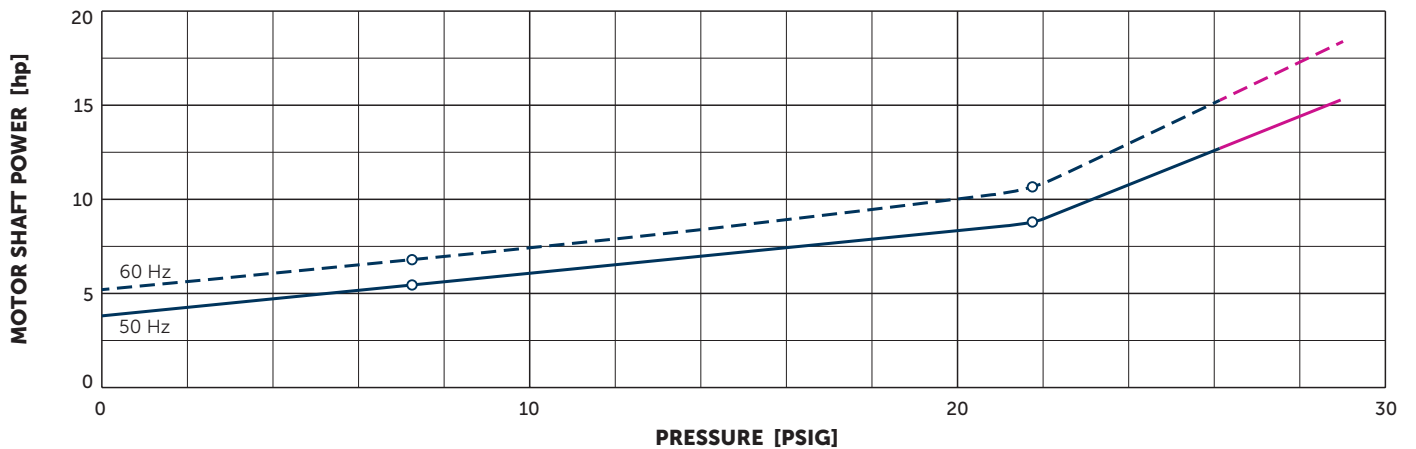
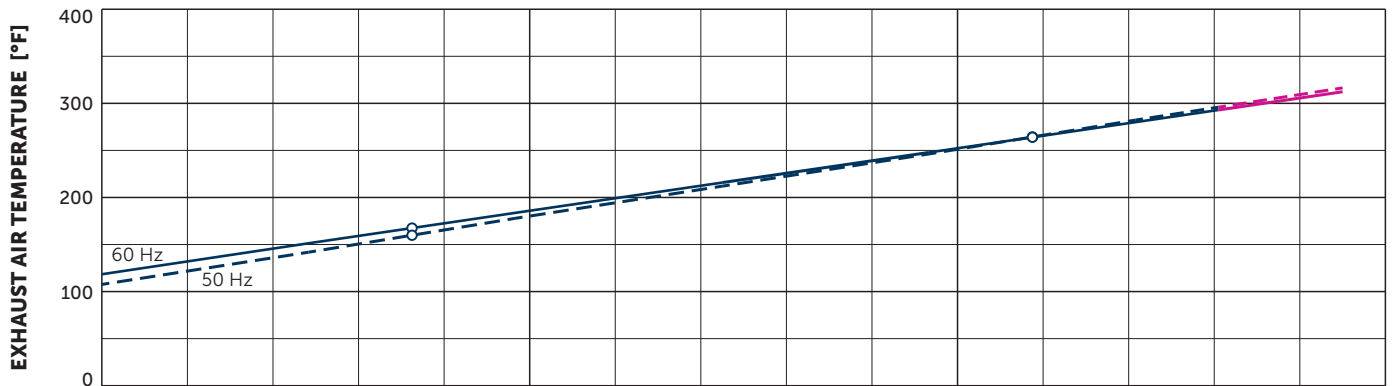
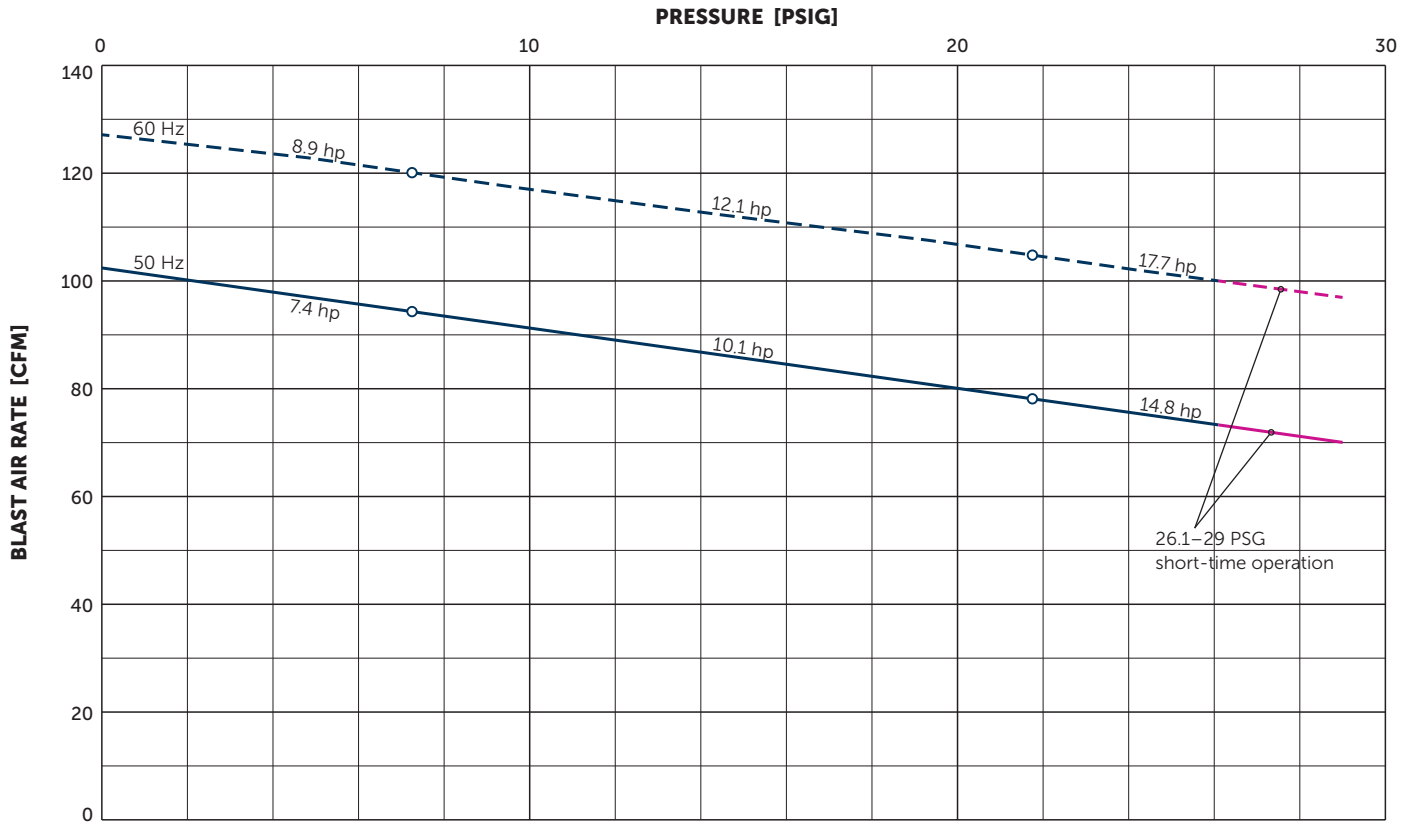
39.4 inch distance, at medium load, both connection sides piped

<sup>2)</sup> 26.1 PSIG continuous operation and 29 PSIG bar short-time operation → max. 2 min (max. 5x / h)

<sup>3)</sup> Motors on request

3~ Motors												L	
#	50 Hz				60 Hz				Weight lbs	Version	inch		
	hp	V	rpm	A	hp	V	rpm	A					
01	7.4	Δ400	IE3	735	13.91	8.9	Δ460 Δ400	IE3	883 873	14.3 16.4	366.0	UL(E235514) • CSA CC329B IP55 • ISO F • bimetal	51.2
02						8.9	YY230/Y460 YY208	IE3 –	883 875	28.0/14.0 31.0	366.0	UL(E235514) • CSA IP55 • ISO F • bimetal	51.2
03	10.1	Δ400	IE3	738	19.9	12.1	Δ460 Δ400	IE3	886 881	20.1 21.4	390.3	UL(E235514) • CSA CC329B IP55 • ISO F • bimetal	51.2
04						12.1	YY230/Y460 YY208	IE3	888 886	43.4/21.7 44.3	390.3	UL(E235514) • CSA CC329B IP55 • ISO F • bimetal	51.2
05	10.1	Δ200/Y350	IE3	736	37.2/21.5	12.1	Δ220/Y380–400 Δ200/Y350	IE3	882 876	39.1/22.6–22.0 42.9/24.8	390.3	UL(E235514) • CSA CC329B IP55 • ISO F • bimetal	51.2
06						12.1	Δ400/Y690	IE3	878	22.3/12.9	390.3	UL(E235514) • CSA CC329B IP55 • ISO F • bimetal	51.2

• Current consumption and rotation speed may vary. Tolerance in each case -1.5/+2%



Reference data (atmosphere): 0 PSIG, 68°F; Tolerance: ±5%  
 26.1-29 PSIG short-time operation → max. 2 min (max. 5x / h)

## **+** VARIANTS AND ACCESSORIES

- Increased corrosion protection
- Integrated non return valve
- Internal dust separator
- External suction filter<sup>1)</sup>
- Sound proof box SH 10<sup>1)</sup>



Sound proof box SH 10

<sup>1)</sup> See separate data sheet

- Possible combinations on request



**MAKE IT BECKER.**