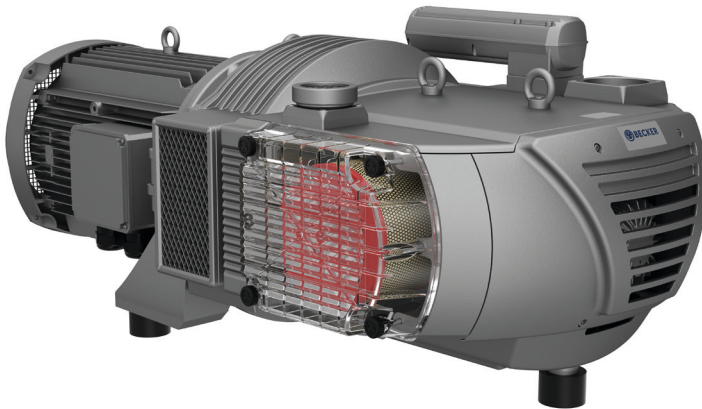
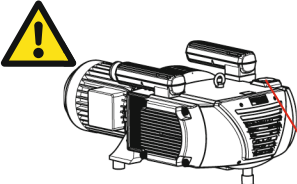








**BETRIEBSANLEITUNG
OPERATING INSTRUCTIONS
INSTRUCTIONS DE SERVICE
ISTRUZIONI D'USO
HANDLEIDING
INSTRUCCIONES PARA EL MANEJO
MANUAL DE INSTRUÇÕES
NAUDOJIMOSI INSTRUKCIJA
KASUTUSJUHEND
LIETOŠANAS INSTRUKCIJA
DRIFTSINSTRUKS
DRIFTSINSTRUKTIONER
DRIFTSVEJLEDNING
INSTRUKCJA OBSŁUGI**


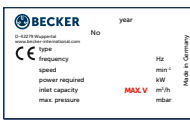
**KEZELÉSI ÚTMUTATÓ
NÁVOD K OBSLUZE
NAVODILO ZA UPORABO
NÁVOD NA OBSLUHU
UPUTE ZA RAD
MANUAL DE OPERATII
TREORACHA OIBRIÚCHÁIN
ΟΔΗΓΙΕΣ ΧΡΗΣΗΣ
EL KITABI
ИНСТРУКЦИИ ЗА ЕКСПЛОАТАЦИЯ
ИНСТРУКЦИЯ ПО ЕКСПЛОАТАЦИИ
取扱説明書
사용설명서
使用说明书**

**DTLF 2.200
DTLF 2.250
DTLF 2.360**


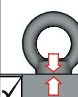


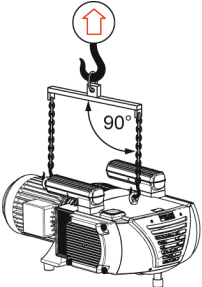


		
		
<input checked="" type="checkbox"/> AIR		
		
		



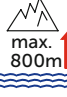
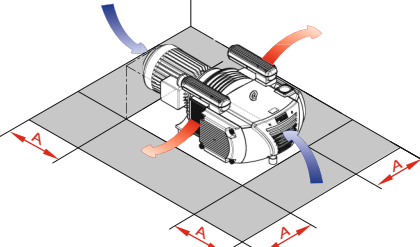
1

<p>MAX. PRESSURE →</p>		<p>mbar</p>
<p>MAX. →</p>		<p>m³/h</p>
<p>DIN EN ISO 11203 Accuracy Class 2 K_{pA} = 3 dB(A) l ← 1m</p>		<p>L_{pA} = 79-84 dB(A) - 50Hz L_{pA} = 80-85 dB(A) - 60Hz</p>


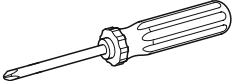

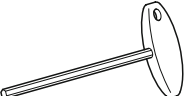

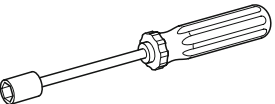
2

			
	<input checked="" type="checkbox"/>	<input type="checkbox"/>	<p>248-335 kg 547-739 lbs</p>
			

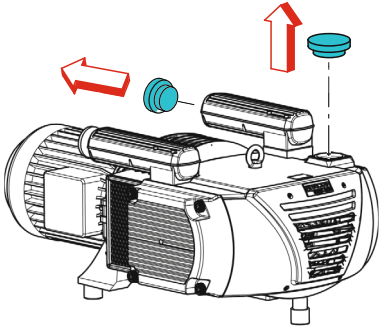
3

<p>A > 400mm A > 16"</p>			
	<p>> 5°C/41°F < 45°C/113°F</p>	<p>max. 90%</p>	<p>max. 800m</p>
			

4

	
<p>No. 2</p>	
	
<p>5 mm</p>	
	
<p>13 mm</p>	

5



6

MOTOR-PROTECTION

=

50Hz	60Hz
XXX / XXX V	XXX / XXX V
(XX / XX A)	(XX / XX A)

SERVICE FACTOR
 \times
RATED CURRENT

7

GENERAL

¹⁾ motor protection switch ✔

ADDITIONAL $M \geq 5.5 \text{ kW}$

RECOMMENDATION

A

Softstart

B

OPTIONAL

PTC

Bi-metal

8

9

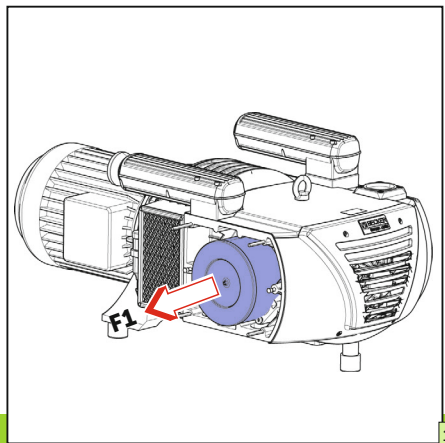
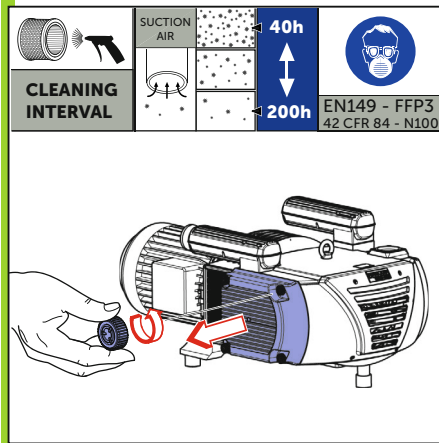
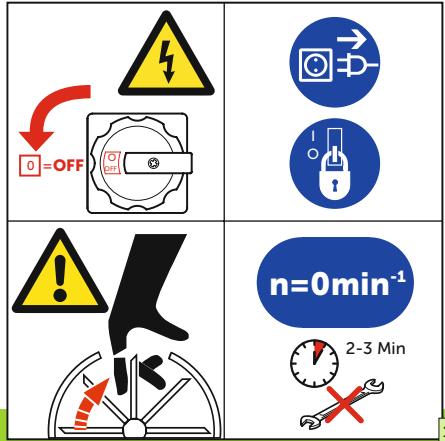
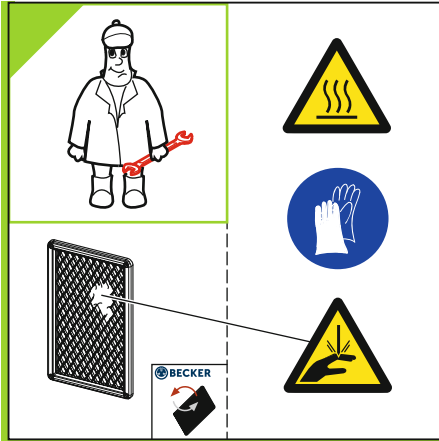
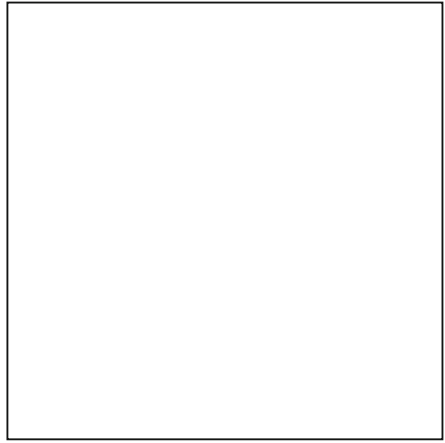
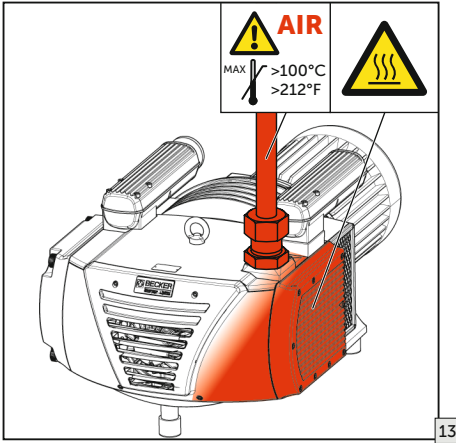
10

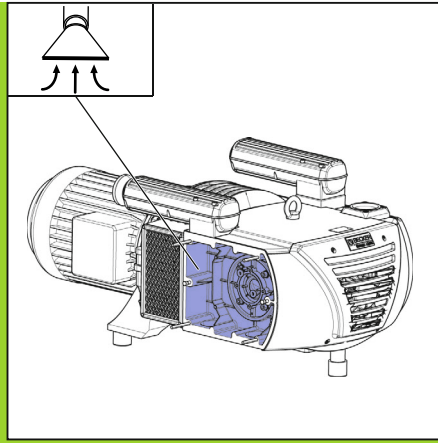
0	2	3	10 [m]
			+ 1x

PRESSURE

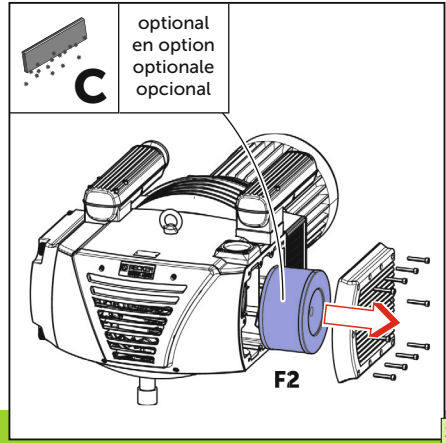
11

12

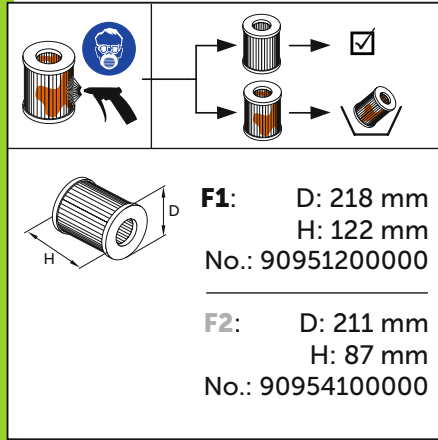




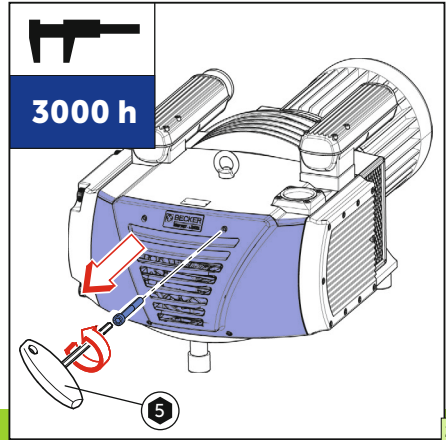
18



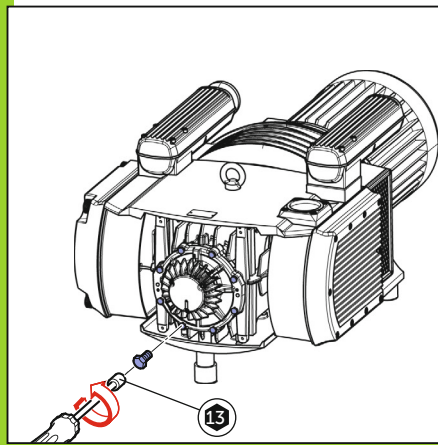
19



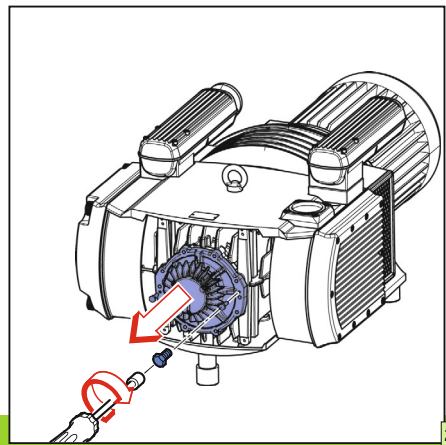
20



21



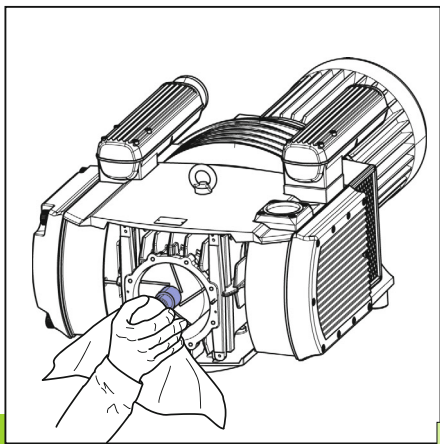
22



23

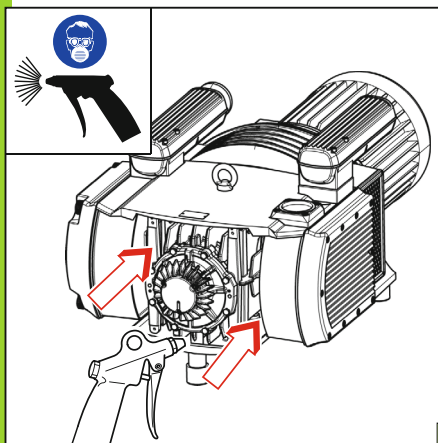
$A_{MAX} = 65\text{mm}$
 $A_{MIN} = 41\text{mm}$
 $A_T < 41\text{mm}$

DTLF 2.200/2.250 → No. 90136701005 (SET)
 DTLF 2.360 → No. 90132500005 (SET)

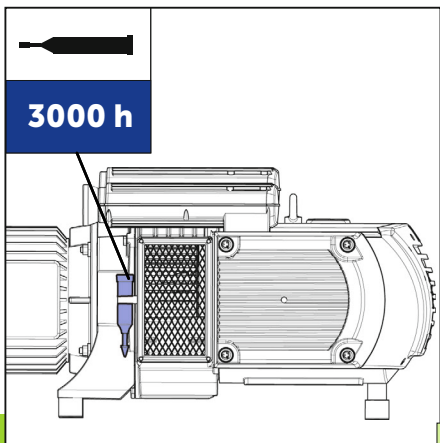


24

25



26



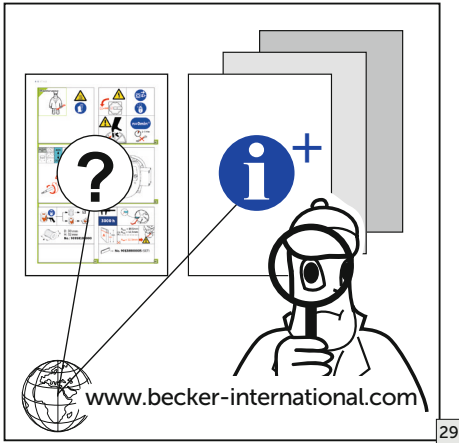
27

Special grease
 No. 74330300000

25x (≈10g)

28





WWW.BECKER-INTERNATIONAL-SHOP.COM

Gebr. Becker GmbH
Hoelker Feld 29-31
42279 WUPPERTAL
GERMANY
info@becker-international.com
www.becker-international.com





MAKE IT BECKER.

28100052201 | 2020-03-19 | Alle Rechte vorbehalten