



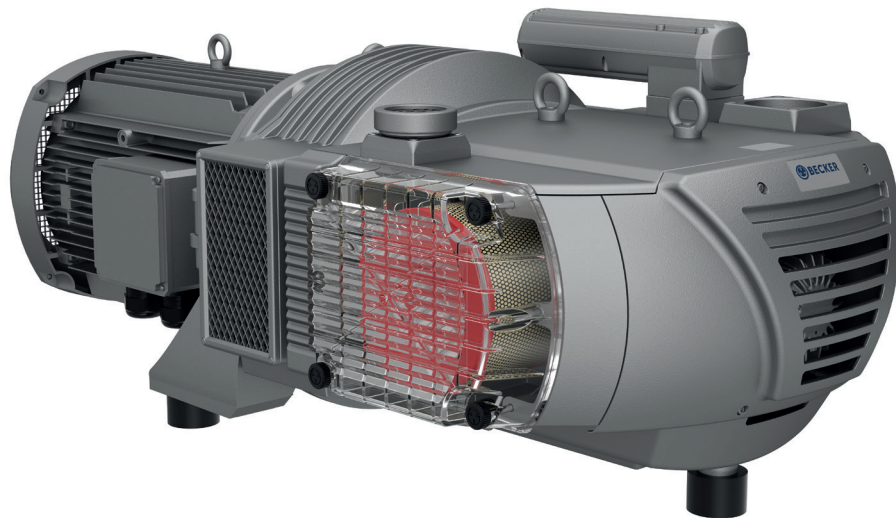
Authorized Dealer
1.800.229.0009
sales@updateltd.com
www.updateltd.com

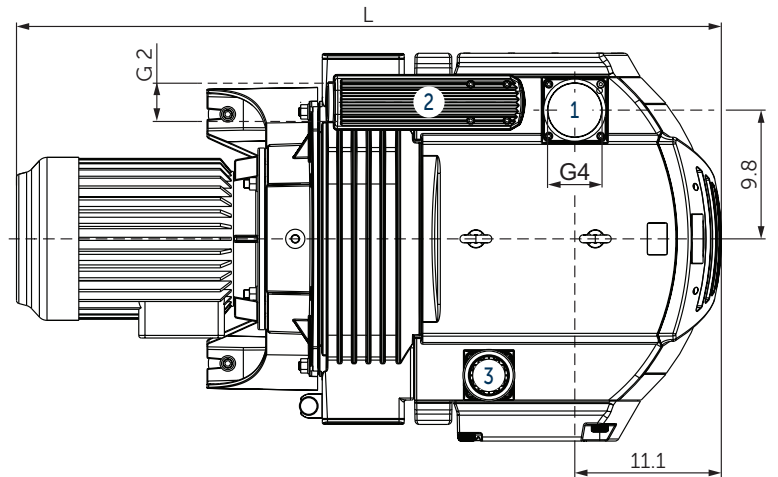
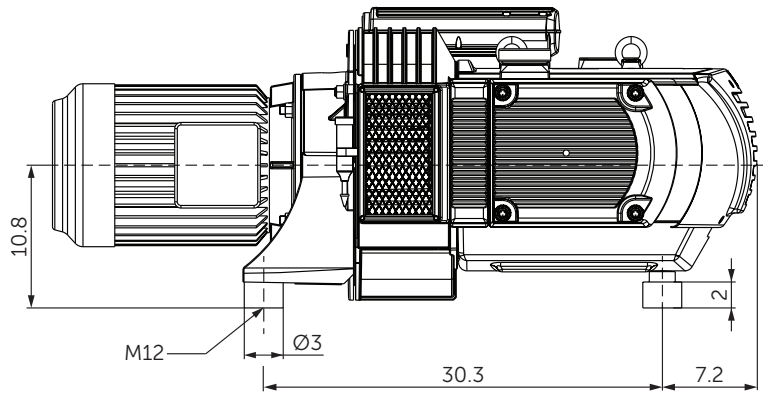
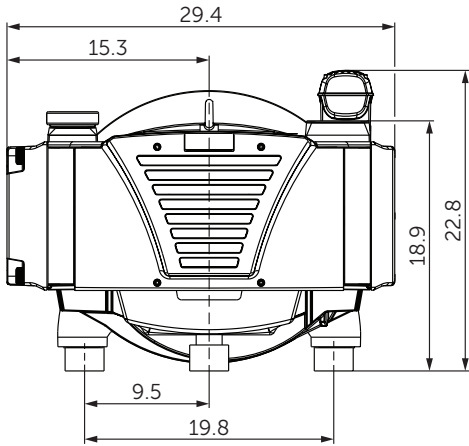
DATA SHEET

DTLF 2.500 **ROTARY VANE** **COMPRESSORS**

oil-free
air-cooled

MAKE IT BECKER.





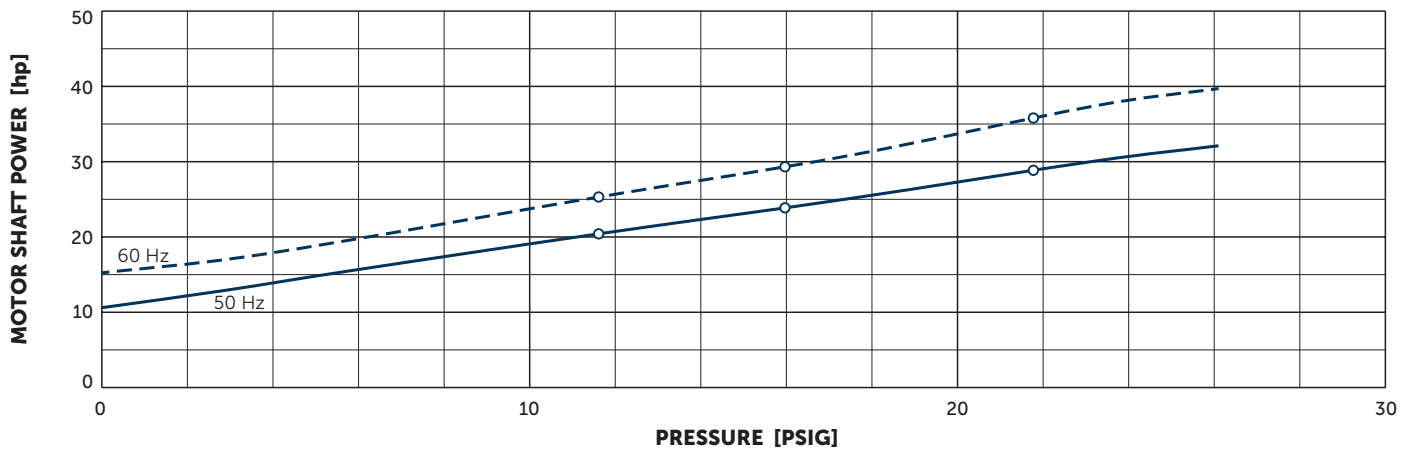
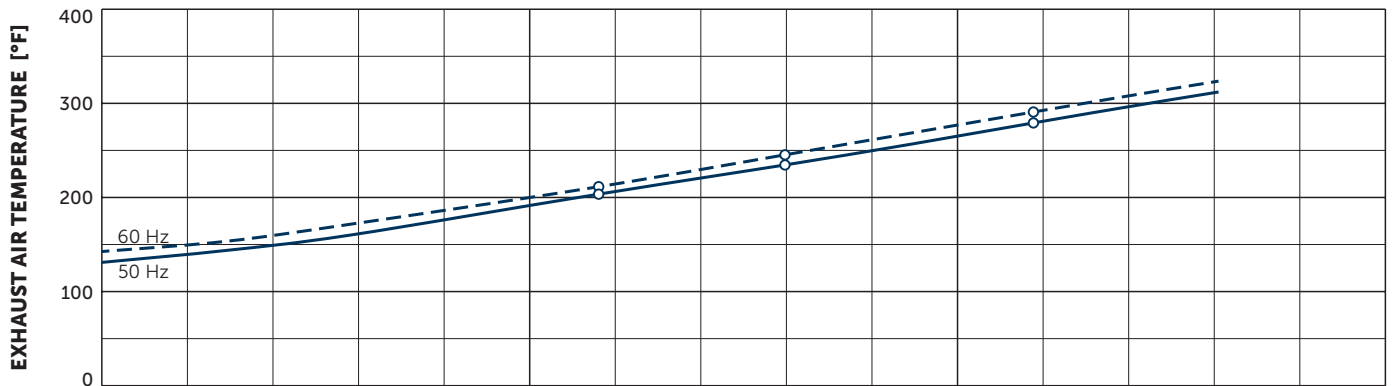
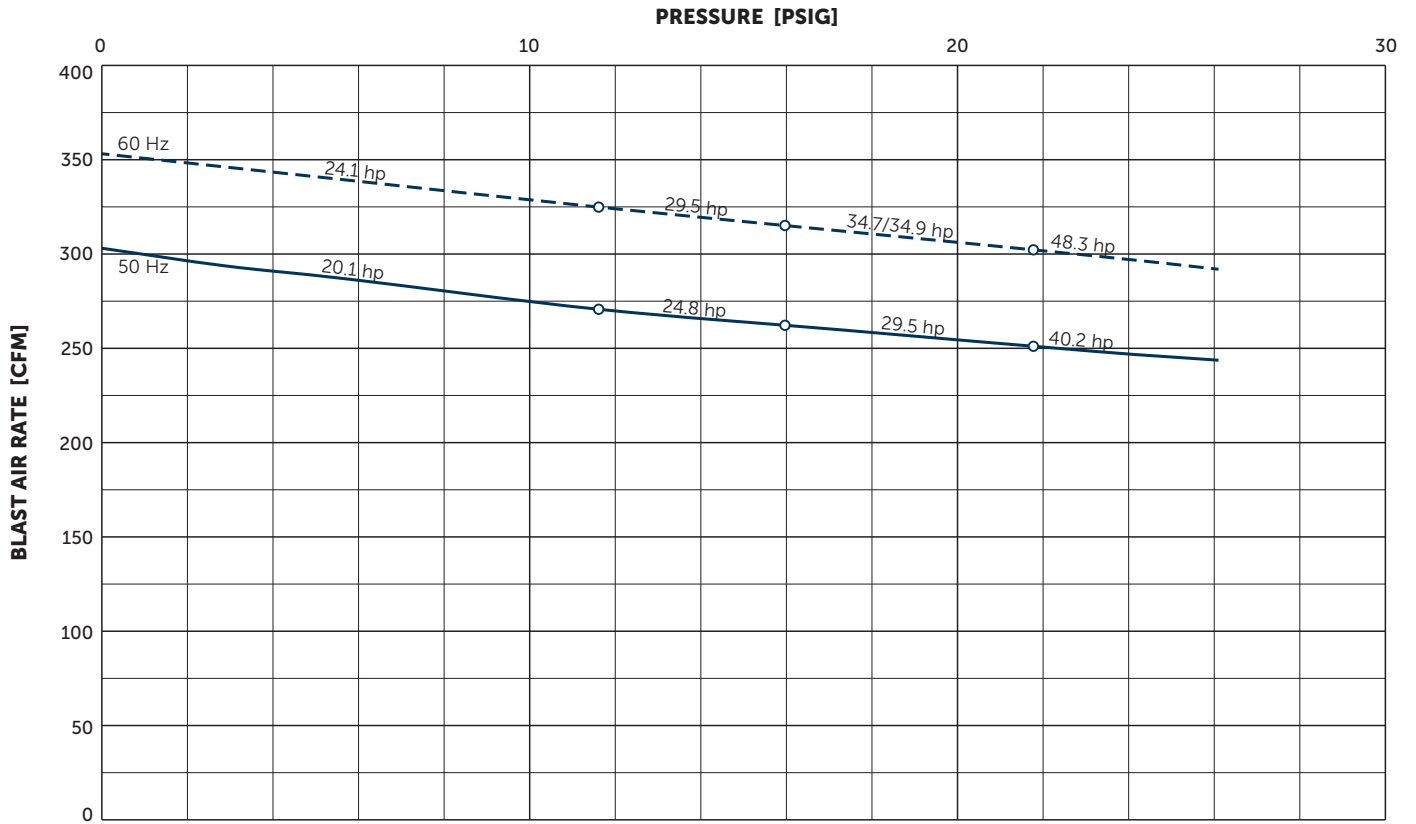
- 1 Pressure connection (G4)
- 2 Pressure safety valve with silencer
- 3 Air nozzle
 - Including integrated suction air filter
 - The motor illustration may vary
 - Dimensions in inch

Blast air rate		Pressure		Motors		Emission sound pressure level ¹⁾		Weight w/o motor
CFM		PSIG		hp		dB(A)		lbs
50 Hz	60 Hz	50 Hz	60 Hz	50 Hz	60 Hz	50 Hz	60 Hz	
303	353	11.6	11.6	20.1	24.1	80	82	546.8
303	353	16.0	16.0	24.8	29.5	81	82	546.8
303	353	21.8	21.8	29.5	34.7/34.9	81	82	546.8
303	353	26.1	26.1	40.2	48.3	81	82	546.8

¹⁾ According to DIN EN ISO 11203, accuracy class of measurement: class 2, extended measurement uncertainty: 3 dB
39.4 inch distance, at medium load, both connection sides piped

3~ Motors												L	
#	50 Hz					60 Hz					Weight lbs	Version	inch
	hp	V	rpm	A	hp	V	rpm	A					
01	20.1	Δ400	IE3	985	33.4	24.1	Δ460 Δ400	IE3	1183 1175	33.7 37.2	432.2	UL(E235514) • CSA CC329B IP55 • ISO F • bimetal	57.8
02						24.1	YY230/Y460 YY208	IE3	1183 1180	69.1/34.6 72.3	358.3	UL(E235514) • CSA CC329B IP55 • ISO F • bimetal	57.8
03	20.1	Δ200/Y350	IE3	987	68.6/39.6	24.1	Δ220/Y380-400 Δ200/Y350	IE3	1185 1180	69.7/40.2-39.6 73.1/42.2	359.4	UL(E235514) • CSA CC329B IP55 • ISO F • bimetal	57.8
04						24.1	Δ400/Y690	IE3	1185	38.9/22.4	434.4	UL(E235514) • CSA CC329B IP55 • ISO F • bimetal	57.8
05	24.8	Δ400	IE3	983	40.7	29.5	Δ460 Δ400	IE3	1180 1176	40.7 41.8	441.0	UL(E235514) • CSA CC329B IP55 • ISO F • bimetal	60.2
06						29.5	YY230/Y460 YY208	IE3	1183 1180	83.8/41.9 86.9	441.0	UL(E235514) • CSA CC329B IP55 • ISO F • bimetal	60.2
07						29.5	Δ400/Y690	IE3	1182	47.4/27.4	441.0	UL(E235514) • CSA CC329B IP55 • ISO F • bimetal	60.2
08	29.5	Δ400	IE3	979	41.0	34.7	Δ460 Δ400		1177 1167	41.3 47.8	513.8	UL(E235514) • CSA CC329B IP55 • ISO F • bimetal	60.5
09						34.7	YY230/Y460	IE3	1181	83.4/41.7	513.8	UL(E235514) • CSA CC329B	60.5
						34.9	YY208		1177	91.5		IP55 • ISO F • bimetal	
10	40.2	Δ400	IE3	983	63.1	48.3	Δ460 Δ400	IE3	1180 1169	63.4 65.9	533.6	UL(E235514) • CSA IP55 • ISO F • bimetal	60.5

• Current consumption and rotation speed may vary. Tolerance in each case -1.5/+2%



Reference data (atmosphere): 0 PSIG, 68°F; Tolerance: ±5%

+ VARIANTS AND ACCESSORIES

- Increased corrosion protection
- Internal dust separator
- External suction filter¹⁾
- Sound proof box SH 12¹⁾



Sound proof box SH 12

¹⁾ See separate data sheet

- Possible combinations on request



MAKE IT BECKER.