



Authorized Dealer
1.800.229.0009
sales@updateltd.com
www.updateltd.com

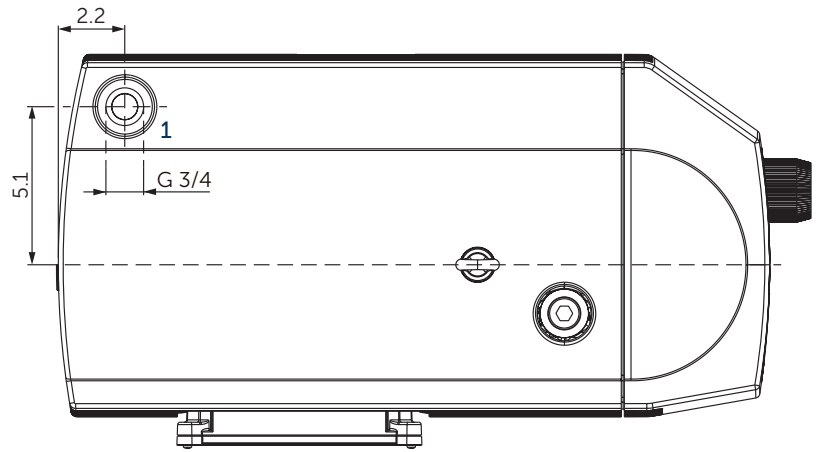
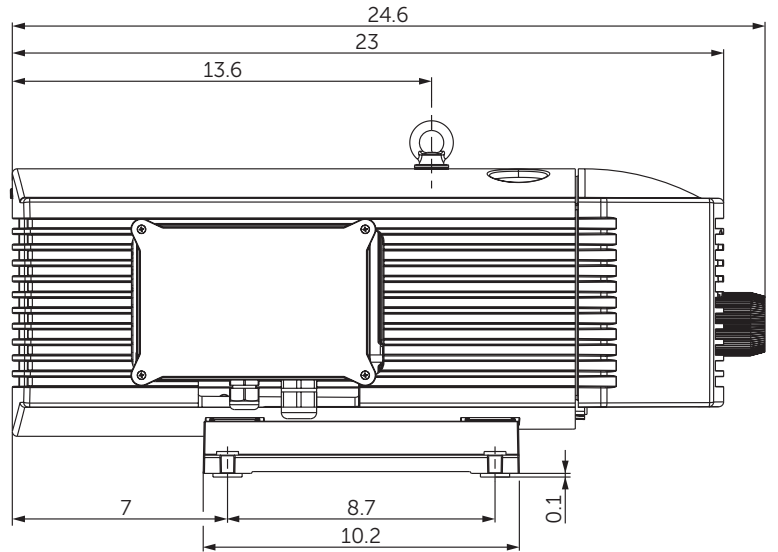
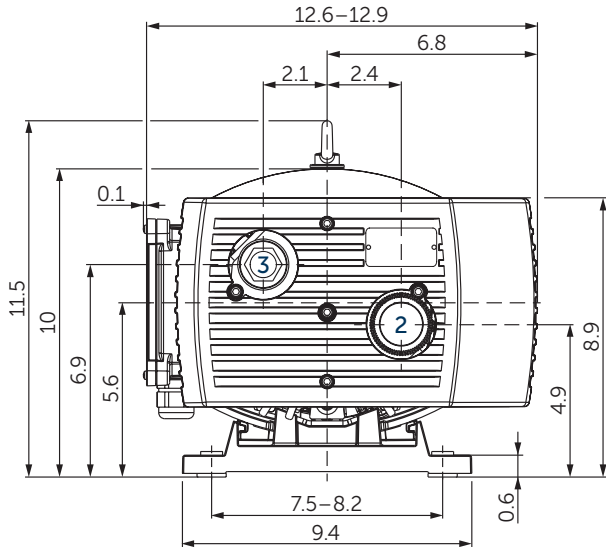
DATA SHEET

DT 4.40 K ROTARY VANE COMPRESSORS

oil-free
air-cooled

MAKE IT BECKER.





- 1 Pressure connection (G³/₄)
- 2 Pressure regulating valve
- 3 Air nozzle
- Including integrated suction air filter and compressed air cooler
- The illustration of the terminal box may vary.
- Dimensions in inch

Blast air rate		Pressure		Emission sound pressure level ¹⁾		Weight incl. motor ²⁾
50 Hz	60 Hz	50 Hz	60 Hz	50 Hz	60 Hz	lbs
23.5	28.2	14.5	14.5	67	70	≈101.4–108

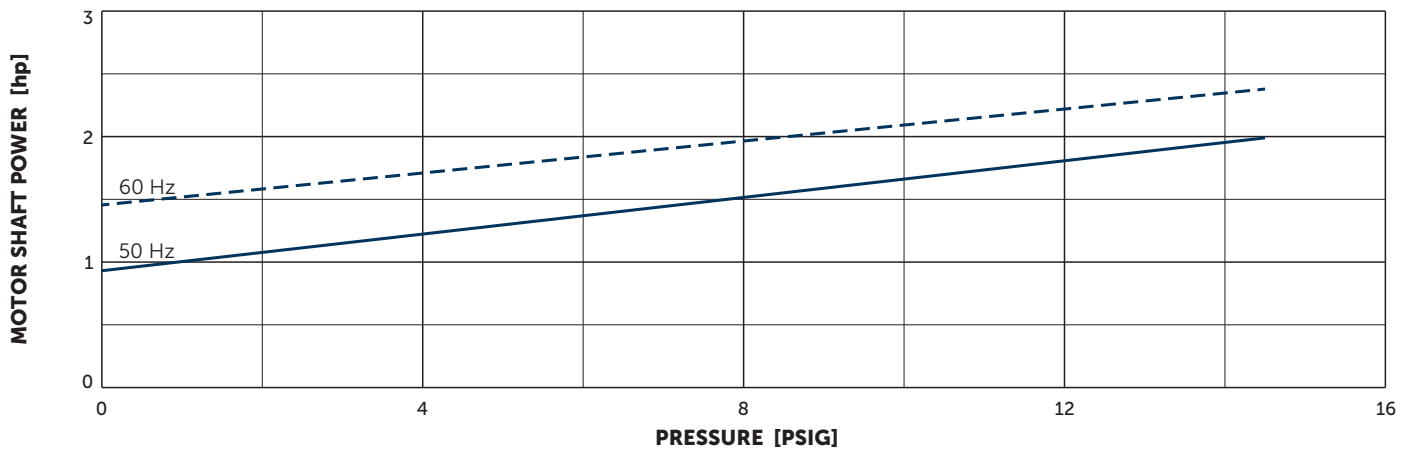
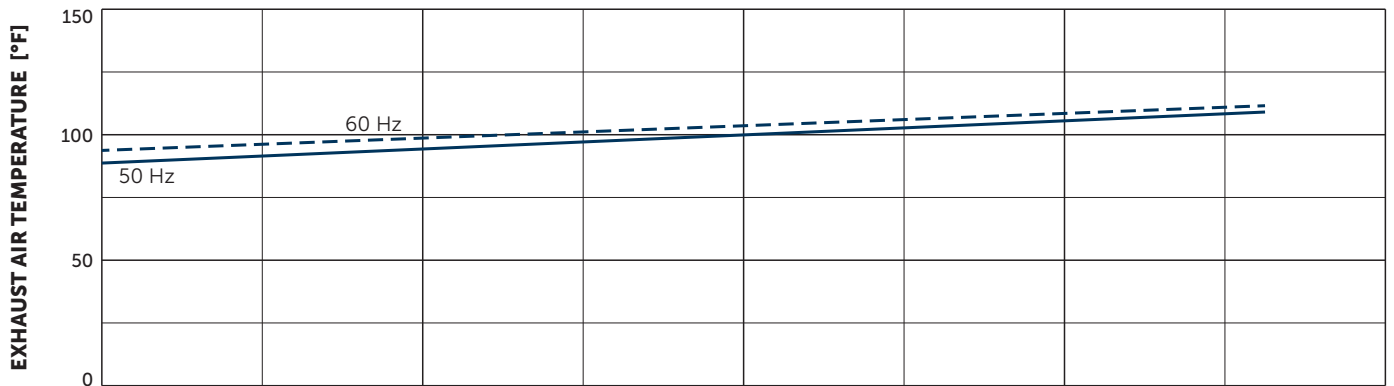
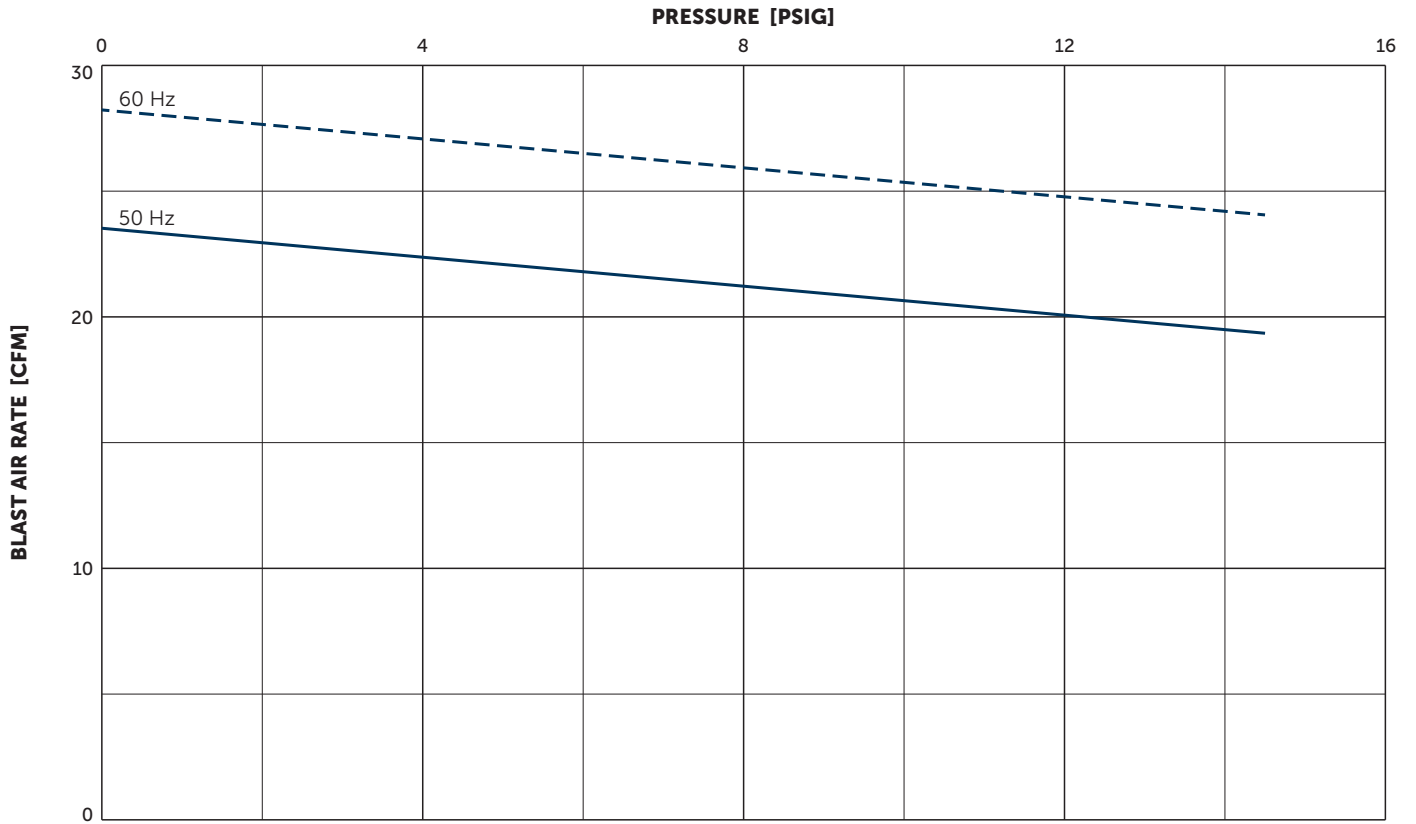
¹⁾ According to DIN EN ISO 3744 (KpA = 3 dB(A)), 39.4 inch distance, at medium load, both connection sides piped

²⁾ Depending on the motor

3~ Motors										
#	50 Hz				60 Hz				Version	
	hp	V	rpm	A	hp	V	rpm	A		
01	2.5	Y400	IE3	1465	4.0	YY230/Y460	IE3	1760	7.6/3.8	UL (E113150) • CC046A IP55 • ISO F PTO bimetal 150°C
						YY208	IE3	1750	8.3	
						Y400		1745	4.3	
02	2.5	190–255/ 330–440		1380	8.1–9.5/ 4.7–5.5	3.0	190–290/ 330–500	1660	10.0–8.5/ 5.8–4.9	IP54 • ISO F • bimetal

1~ Motor										
#	50 Hz				60 Hz				Version	
	hp	V	rpm	A	hp	V	rpm	A		
01	2.3	230 ±10%	1380	11.0						IP54 • ISO F • bimetal 30 µF (400 V)
02					2.6	220 ±10%	1640	11.5		UL IP54 • ISO F 40 µF

- Current consumption and rotation speed may vary. Tolerance in each case -1.5/+2%



Reference data (atmosphere): 0 PSIG, 68°F; Tolerance: ±5%
 Air temperature: 41°F ... 135°F

+ VARIANTS AND ACCESSORIES

- **DT 4.40/0-80** without compressed air cooler, maximum 7.25 PSIG, lower motor power and overall dimensions¹⁾
- With external suction filter¹⁾
- Sound proof box SH 20¹⁾



Example for an external suction filter



Sound proof box SH 20

¹⁾ See separate data sheet

- Possible combinations on request



MAKE IT BECKER.