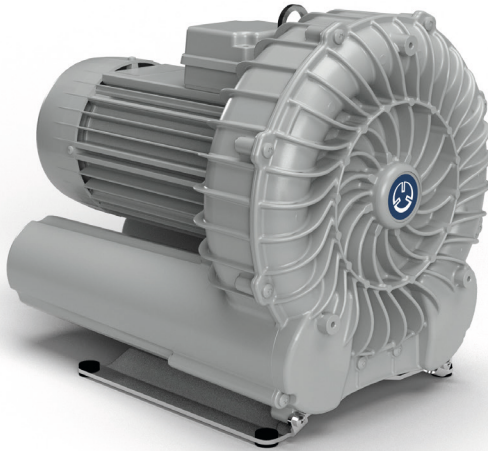


BETRIEBSANLEITUNG
OPERATING INSTRUCTIONS
INSTRUCTIONS DE SERVICE
ISTRUZIONI D'USO
HANDLEIDING
INSTRUCCIONES PARA EL MANEJO
MANUAL DE INSTRUÇÕES
NAUDOJIMOSI INSTRUKCIJA
KASUTUSJUHEND
LIETOŠANAS INSTRUKCIJA
DRIFTSINSTRUKS
DRIFTSINSTRUKTIONER
DRIFTSVEJLEDNING
INSTRUKCJA OBSŁUGI

KEZELÉSI ÚTMUTATÓ
NÁVOD K OBSLUZE
NAVODILO ZA UPORABO
NÁVOD NA OBSLUHU
UPUTE ZA RAD
MANUAL DE OPERATII
TREORACHA OIBRIÚCHÁIN
ΟΔΗΓΙΕΣ ΧΡΗΣΗΣ
EL KITABI
ИНСТРУКЦИИ ЗА ЕКСПЛОАТАЦИЯ
ИНСТРУКЦИЯ ПО ЕКСПЛОАТАЦИИ
取扱説明書
사용설명서
使用说明书

SV 200 SV 201

MAKE IT BECKER.



update
LTD

YOUR UNLIMITED PARTS SOURCE
FOR PRINT FINISHING AND PACKAGING

1.800.229.0009 | www.updateltd.com | sales@updateltd.com

 **BECKER**

Frequency > 60Hz
Please consult **BECKER**

50 Hz	60 Hz
230/240 V ~	230/240 V ~
1.5/1.6 A	1.5/1.6 A
1.5/1.6 A	1.5/1.6 A

XX kg

7

3~

1~

optional

PTC

standard

Bi-metal

8

9

10




PRESSURE

G 2


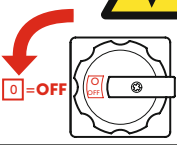





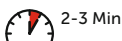

VACUUM

11

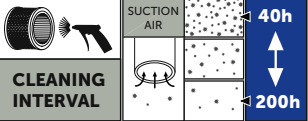
Maintenance

12

13



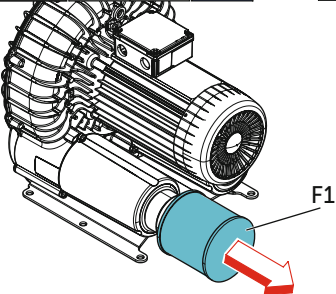
CLEANING INTERVAL

40h
↑↓
200h

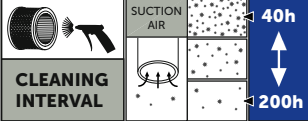
SUCTION AIR

optional
en option
opcionale
opcional

14



F1



CLEANING INTERVAL

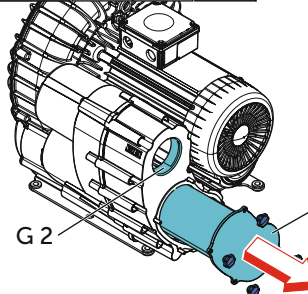
40h
↑↓
200h

SUCTION AIR

VACUUM PRESSURE

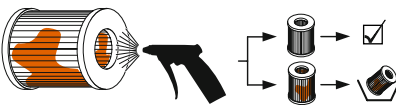
optional
en option
opcionale
opcional

15



G 2

F2




F1: PRESSURE

No.: 74000501000




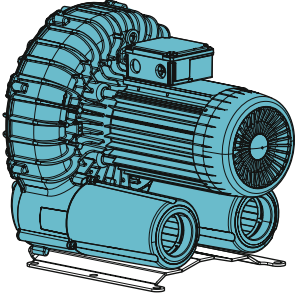
F2: VACUUM
+ PRESSURE

No.: 90951070000



EN149 - FFP3
42 CFR 84 - N100

16

17



WWW.BECKER-INTERNATIONAL-SHOP.COM

Gebr. Becker GmbH
Hoelker Feld 29-31
42279 WUPPERTAL
GERMANY
info@becker-international.com
www.becker-international.com





MAKE IT BECKER.

update
LTD YOUR UNLIMITED PARTS SOURCE
FOR PRINT FINISHING AND PACKAGING

1.800.229.0009 | www.updateitd.com | sales@updateitd.com

 **BECKER**
www.becker-international.com