

BETRIEBSANLEITUNG  
OPERATING INSTRUCTIONS  
INSTRUCTIONS DE SERVICE  
ISTRUZIONI D'USO  
HANDLEIDING  
INSTRUCCIONES PARA EL MANEJO  
MANUAL DE INSTRUÇÕES  
NAUDOJIMOSI INSTRUKCIJA  
KASUTUSJUHEND  
LIETOŠANAS INSTRUKCIJA  
DRIFTSINSTRUKS  
DRIFTSINSTRUKTIONER  
DRIFTSVEJLEDNING  
INSTRUKCJA OBSŁUGI

KEZELÉSI ÚTMUTATÓ  
NÁVOD K OBSLUZE  
NAVODILO ZA UPORABO  
NÁVOD NA OBSLUHU  
UPUTE ZA RAD  
MANUAL DE OPERATII  
TREORACHA OIBRIÚCHÁIN  
ΟΔΗΓΙΕΣ ΧΡΗΣΗΣ  
EL KITABI  
ИНСТРУКЦИИ ЗА ЕКСПЛОАТАЦИЯ  
ИНСТРУКЦИЯ ПО ЕКСПЛОАТАЦИИ  
取扱説明書  
사용설명서  
使用说明书

## SV 300

**MAKE IT BECKER.**



**update** LTD YOUR UNLIMITED PARTS SOURCE  
FOR PRINT FINISHING AND PACKAGING



1.800.229.0009 | [www.updateitld.com](http://www.updateitld.com) | [sales@updateitld.com](mailto:sales@updateitld.com)


1

	 0500016 0223462 Compressor / Ventilatorgruppe Type: SV 300 Frequency: 50 Hz Speed: 1450 rpm pressure-impulse: 3000 mbar noise-capacity: 3000 m³/h pressure: 3000 mbar weight: 30 kg	  m³/h mbar
DIN EN ISO 11203 Accuracy Class 2 K <sub>pA</sub> = 3 dB(A) l ← 1m	<b>SV 300/1 (Pressure)</b> ▶ 50/60 Hz, +255/+235 mbar L <sub>pA</sub> = 72.8/73.4 dB(A)	
	<b>SV 300/1 (Vacuum)</b> ▶ 50/60 Hz, -205/-195 mbar L <sub>pA</sub> = 71.4/72.7 dB(A)	
	<b>SV 300/2 (Pressure)</b> ▶ 50/60 Hz, +330/+330 mbar L <sub>pA</sub> = 71.7/74.5 dB(A)	
	<b>SV 300/2 (Vacuum)</b> ▶ 50/60 Hz, -275/-275 mbar L <sub>pA</sub> = 69.9/69.7 dB(A)	

2

static inst. ①-④		dynamic installation Gebr. BECKER
The pump must be securely mounted at the place of installation. Physical tension on the blower housing must be avoided.		
		37-52 kg 82-115 lbs

3


		optional en option optionale opcional Filter
INLET AIR 40°C/104°F to 0°C/32°F	A > 100mm A > 4"	B > 295mm B > 11½"
max. 800m max. 90%		


4


5

VACUUM		PRESSURE
		AIR >100°C >212°F
	optional en option optionale opcional	

6

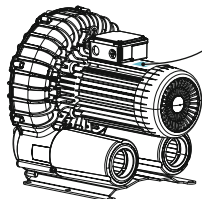







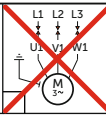
**Frequency > 60Hz**  
Please consult **BECKER**

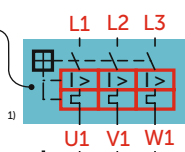
<b>BECKER</b> Made in Germany 50 Hz 230-240 V ~ 50/60 Hz 1.5 kW 1.5 A	<b>BECKER</b> Made in Germany 60 Hz 230-240 V ~ 50/60 Hz 1.5 kW 1.5 A	EN 60034 CE 300 kg
--	--	--------------------------


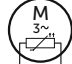


7

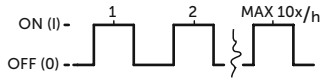




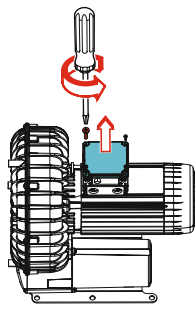


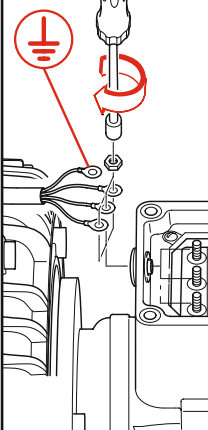
<b>standard</b>  Bi-metal	<b>optional</b>  PTC
--	---

1) motor protection switch





8

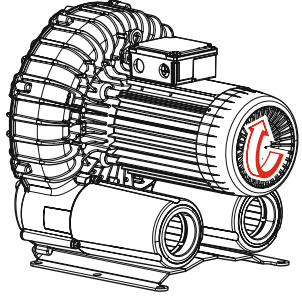


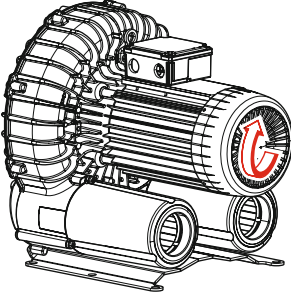


9











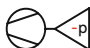
10



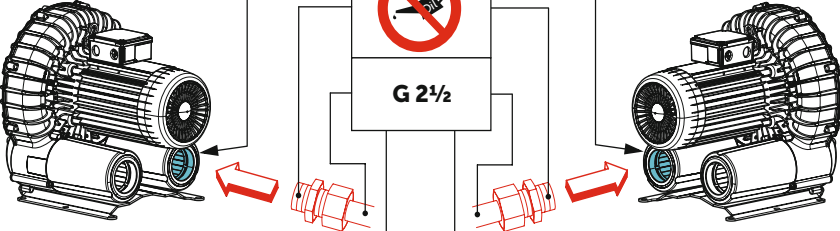
**PRESSURE**



**G 2 1/2**






**VACUUM**


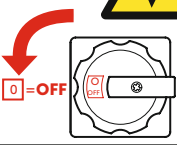







11

**Maintenance**

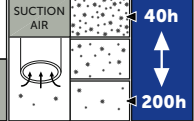




12

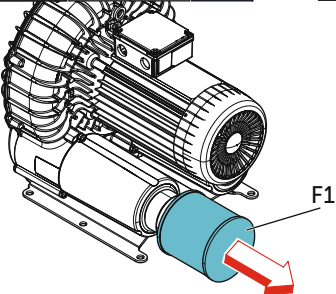
13

**CLEANING INTERVAL**



**PRESSURE**

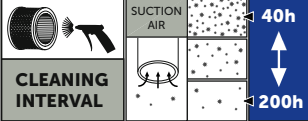
optional  
en option  
opcionale  
opcional



F1

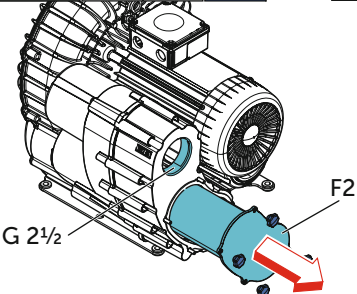
14

**CLEANING INTERVAL**



**VACUUM PRESSURE**

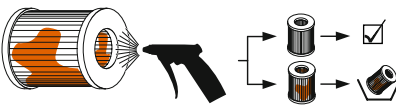
optional  
en option  
opcionale  
opcional



G 2½

F2

15




**F1: PRESSURE**

No.: 90957300000

---




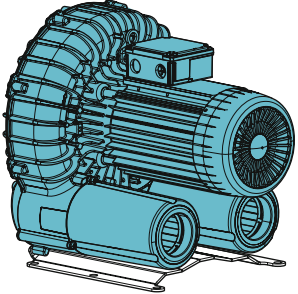
**F2: VACUUM + PRESSURE**

No.: 90951030000

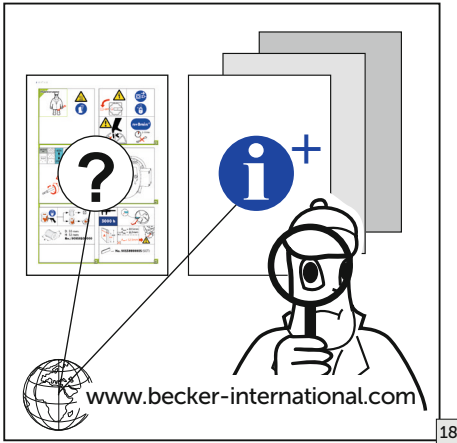


**EN149 - FFP3**  
42 CFR 84 - N100

16

17



Gebr. Becker GmbH  
Hoelker Feld 29-31  
42279 WUPPERTAL  
GERMANY  
[info@becker-international.com](mailto:info@becker-international.com)  
[www.becker-international.com](http://www.becker-international.com)



The Becker logo consists of a circular icon with three stylized human figures inside, followed by the word **BECKER** in a bold, blue, sans-serif font.



**MAKE IT BECKER.**

**update** LTD YOUR UNLIMITED PARTS SOURCE  
FOR PRINT FINISHING AND PACKAGING

1.800.229.0009 | [www.updateitd.com](http://www.updateitd.com) | [sales@updateitd.com](mailto:sales@updateitd.com)

 **BECKER**  
[www.becker-international.com](http://www.becker-international.com)