

DATA SHEET

SV 300/1

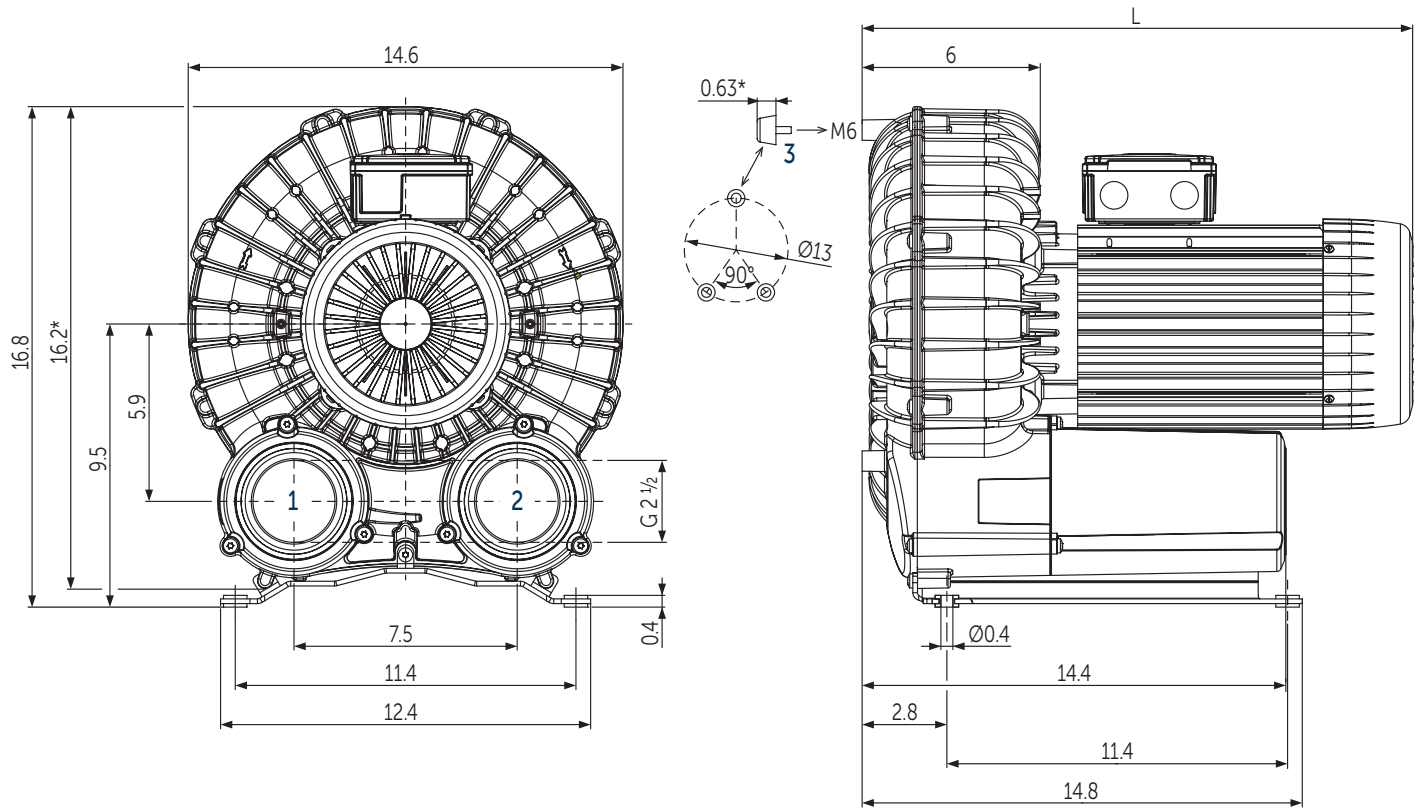
SIDE CHANNEL VACUUM PUMPS

single stage

air-cooled

MAKE IT BECKER.





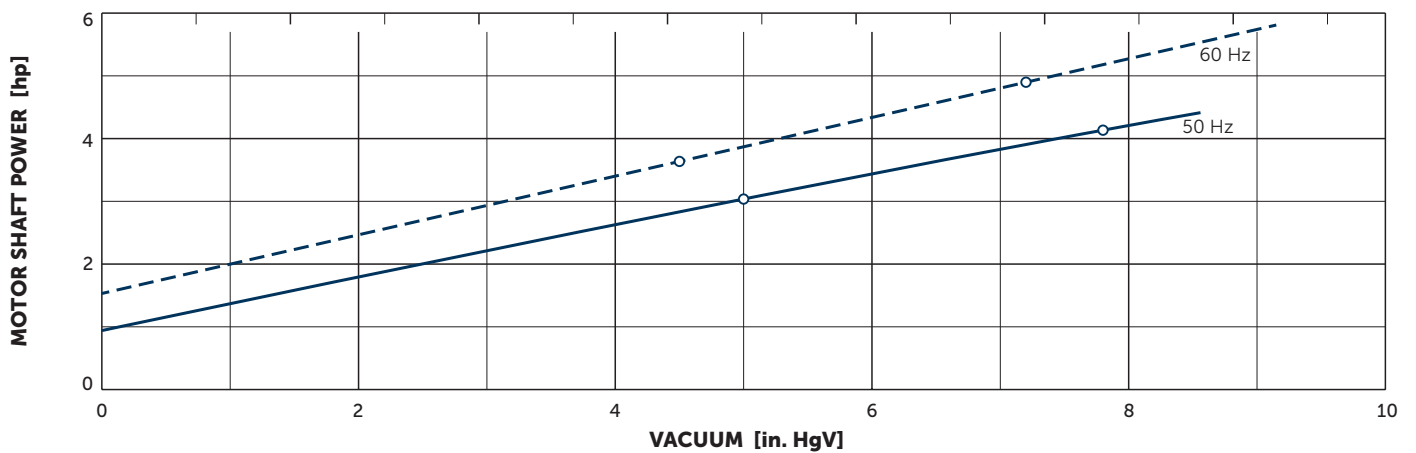
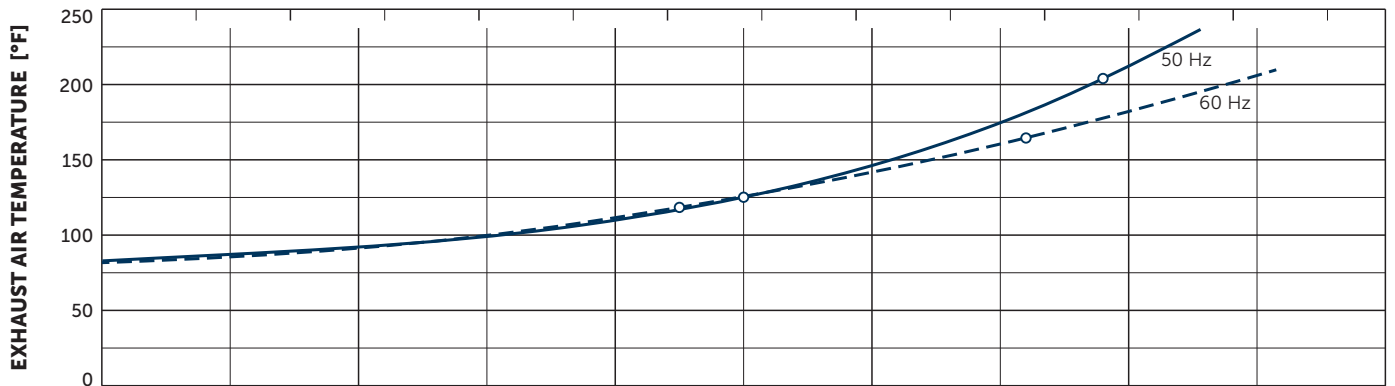
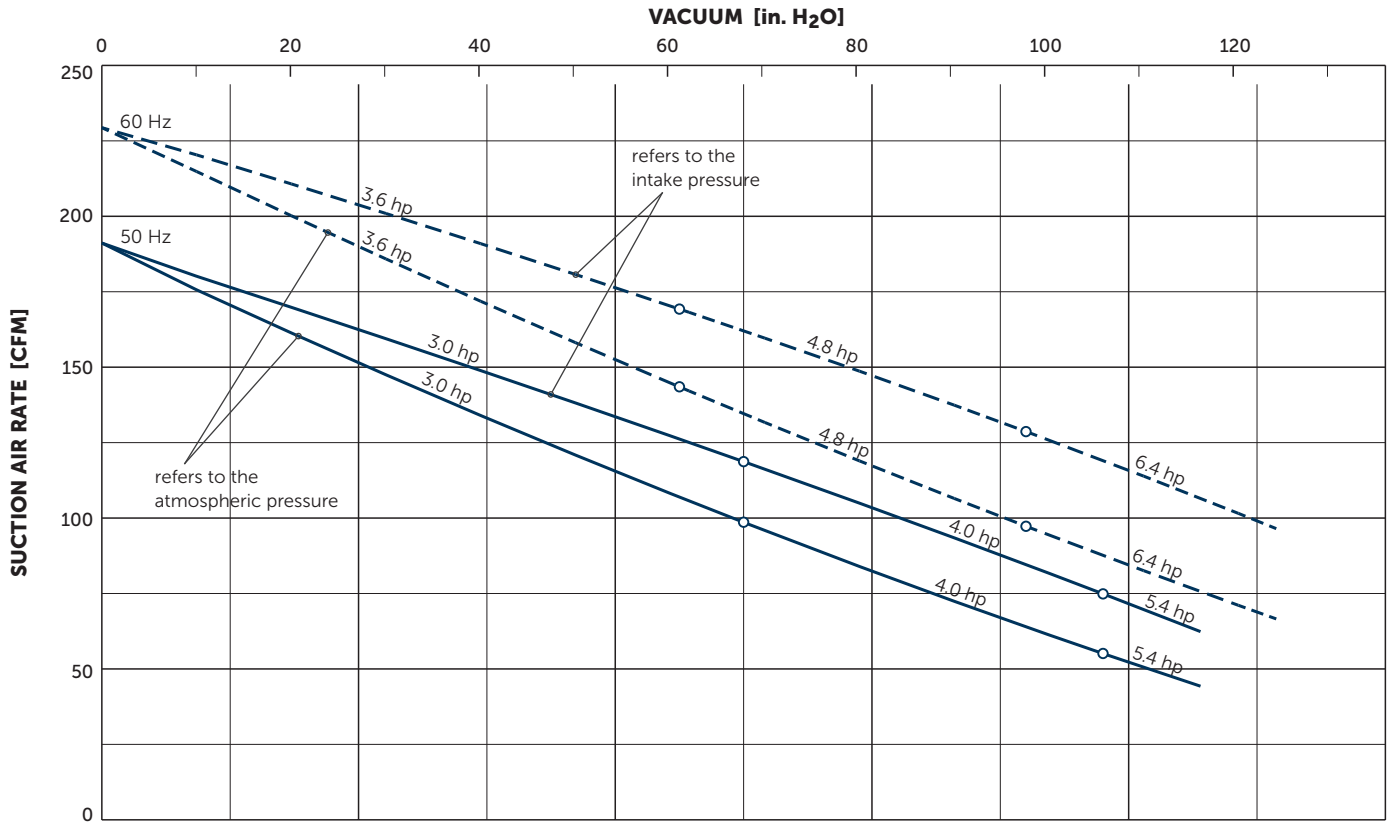
- 1 Vacuum connection (G2½)
- 2 Pressure connection (G2½)
- 3 Optional vibration dampers (rubber buffer) for vertical installation
- * Device dimensions without pedestal under the silencer, with rubber buffers on the enclosure cover
- The motor illustration may vary
- Dimensions in inch

Suction air rate		Vacuum				Motors		Emission sound pressure level ¹⁾		Weight with motor	L
CFM		in. H ₂ O		in. HgV		hp		dB(A)		lbs	inch
50 Hz	60 Hz	50 Hz	60 Hz	50 Hz	60 Hz	50 Hz	60 Hz	50 Hz	60 Hz		
191	229	68.3	62.3	5.0	4.5	3.0	3.6	67.3 (46.2 in. H ₂ O)	68.3 (40.2 in. H ₂ O)	88.5	18.5
191	229	106.5	98.4	7.8	7.2	4.0	4.8	70.1 (72.4 in. H ₂ O)	71.0 (66.3 in. H ₂ O)	94.0	19.5
191	229	116.5	124.6	8.5	9.1	5.4	6.4	71.4 (82.4 in. H ₂ O)	72.7 (78.4 in. H ₂ O)	120.5	21.2

¹⁾ According to DIN EN ISO 11203, accuracy class of measurement: class 2, extended measurement uncertainty: 3 dB
39.4 inch distance, at medium load, both connection sides piped

3~ Motors											
#	50 Hz					60 Hz					Version
	hp	V	IE3	rpm	A	hp	V	IE3	rpm	A	
01	3.0	Δ230/Y400	IE3	2910	7.7/4.45	3.6	Δ265/Y460 Δ230/Y400	IE3	3510 3460	7.6/4.4 8.3/4.6	UL • CSA IP55 • ISO F • bimetal
02						3.6	YY230/Y460 YY208/Y –	IE3	3510 3460	8.6/4.3 9.2/ –	UL • CSA • CC IP55 • ISO F • bimetal
03	4.0	Δ230/Y400	IE3	2890	10.6/6.1	4.8	Δ265/Y460 Δ230/Y400	IE3	3500 3460	10.6/6.1 11.6/6.7	UL • CSA IP55 • ISO F • bimetal
04						4.8	YY230/Y460 YY208/Y –	IE3	3510 3480	12.4/6.2 13.0/ –	UL • CSA • CC IP55 • ISO F • bimetal
05	4.0	Δ200/Y350	IE3	2920	13.9/8.0	4.8	Δ220/Y380–400 Δ200/Y350	IE3	3500 3470	12.6/7.3 13.2/7.6	IP55 • ISO F • bimetal
06	5.4	Δ230/Y400	IE3	2930	14.6/8.4	6.4	Δ265/Y460 Δ230/Y400	IE3	3520 3490	14.3/8.25 15.4/8.85	UL • CSA IP55 • ISO F • bimetal
07						6.4	YY230/Y460 YY208/Y –	IE3	3520 3500	16.5/8.25 17.1/ –	UL • CSA IP55 • ISO F • bimetal
08	5.4	Δ200/Y350	IE3	2930	16.6/9.6	6.4	Δ220/Y380–400 Δ200/Y350	IE3	3520 3490	16.6/9.6–9.45 17.7/10.1	IP55 • ISO F • bimetal

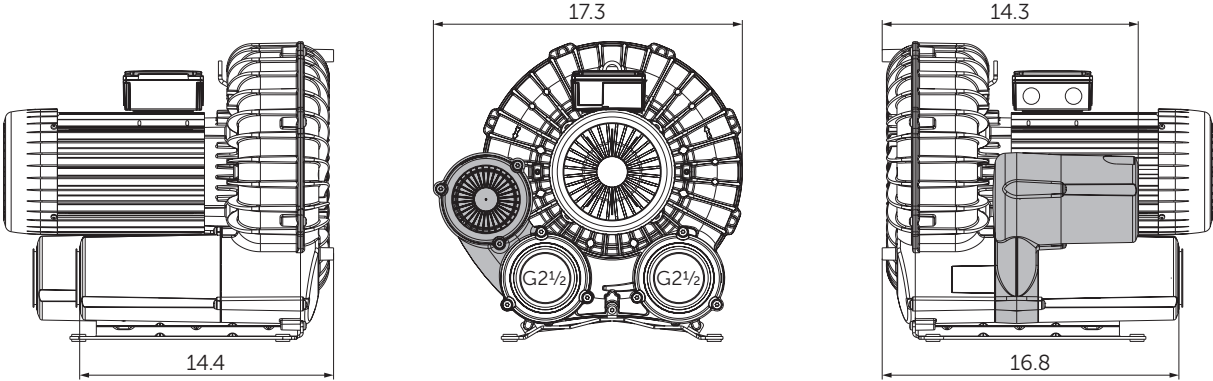
• Current consumption and rotation speed may vary. Tolerance in each case -1.5/+2%



Reference data (atmosphere): 0 in. HgV, 68°F; Tolerance: ±10%
 Temperature: Inlet air 32°F ... 104°F, Ambient air 14°F ... 104°F

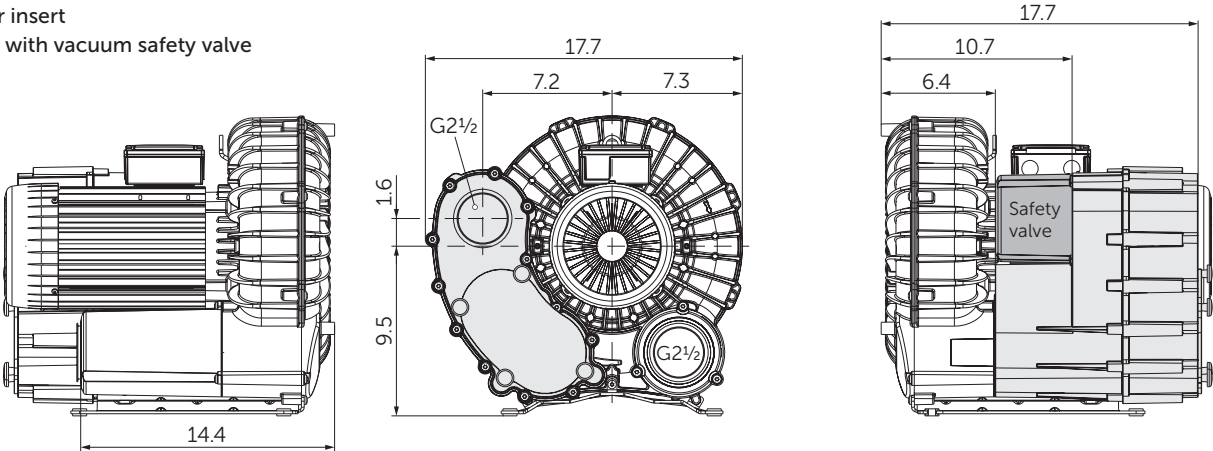
+ VARIANTS AND ACCESSORIES

VACUUM SAFETY VALVE



SUCTION FILTER

- Vacuum-sealed filter housing
- Paper or polyester insert
- Can be combined with vacuum safety valve

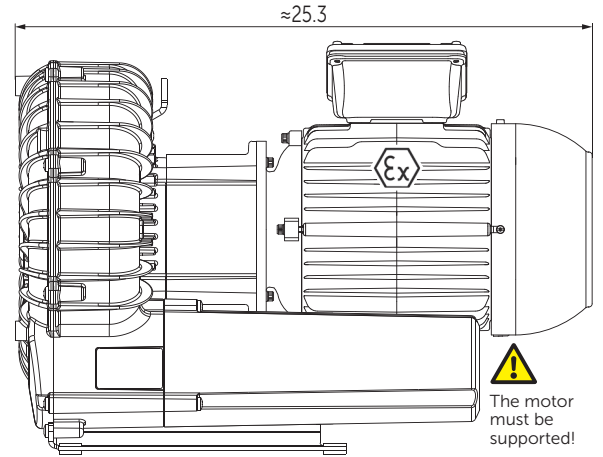


• Dimensions in inch – For other dimensions, see the figure on page 2.

SV 300/1 WITH ATEX MOTOR

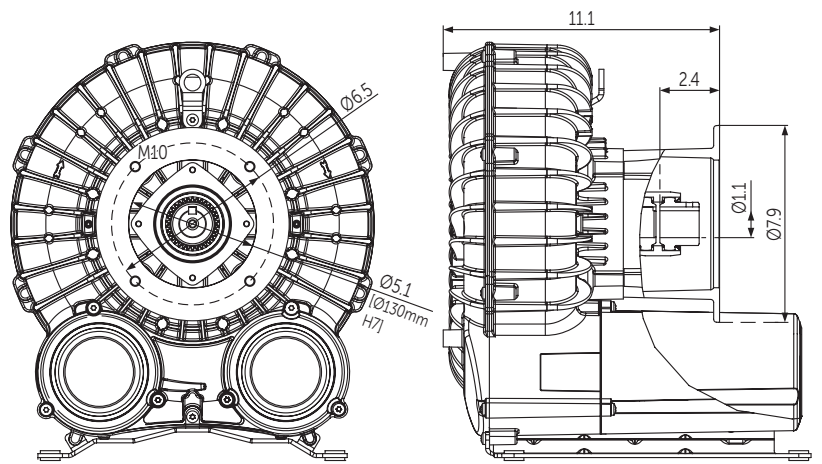
- With coupling for flange motor
- The motor must be supported!
- **Motor ATEX zone: Class 1 Div 2 Groups C&D II 1 G ia IIB**

hp	60 Hz		A	Version
	V	rpm		
5.5	Δ230/Y460	3515	13.3/6.67	UL • IP55 • ISO F
	YY208/Y –		14.8	PTC 155°C (311°F)



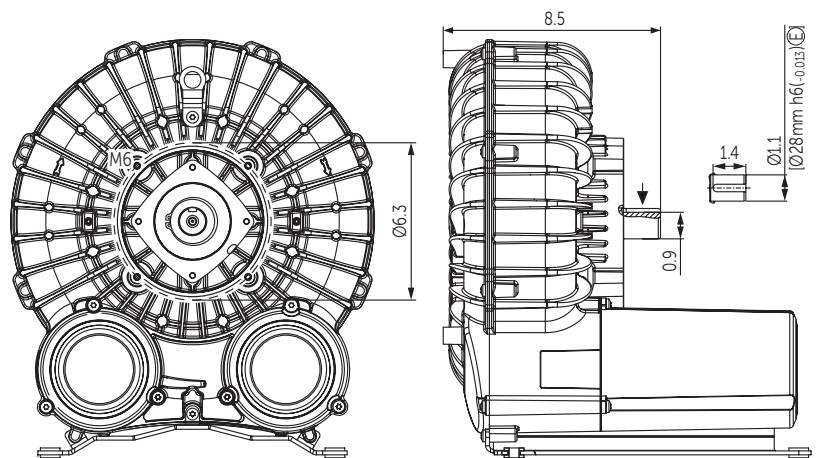
WITHOUT MOTOR

- With coupling for flange motor
- The motor must be supported!



WITHOUT MOTOR

- With free shaft end
- Max. 5600 rpm with V-belt pulley
- Possible performance data see VARIAIR SV 300/1¹⁾



OTHER VARIANTS AND ACCESSORIES

- With increased corrosion protection
- VARIAIR SV 300/1 with frequency inverter VAU4/4 for 87 Hz operation¹⁾
- VARIAIR SV 300/1 with frequency inverter VAU7.5/3 for 100 Hz operation¹⁾
- VARIAIR SV 300/1 gas-tight (inert gases) with frequency inverter VAU7.5/3 for 100 Hz operation¹⁾
- Sound proof box SH 18¹⁾

¹⁾ See separate data sheet
 • Current consumption and rotation speed may vary. Tolerance in each case -1.5/+2%. The motor illustration may vary.
 • Dimensions in inch – For other dimensions, see the figure on page 2.



Sound proof box SH 18



MAKE IT BECKER.