

BETRIEBSANLEITUNG
OPERATING INSTRUCTIONS
INSTRUCTIONS DE SERVICE
ISTRUZIONI D'USO
HANDLEIDING
INSTRUCCIONES PARA EL MANEJO
MANUAL DE INSTRUÇÕES
NAUDOJIMOSI INSTRUKCIJA
KASUTUSJUHEND
LIETOŠANAS INSTRUKCIJA
DRIFTSINSTRUKS
DRIFTSINSTRUKTIONER
DRIFTSVEJLEDNING
INSTRUKCJA OBSŁUGI

KEZELÉSI ÚTMUTATÓ
NÁVOD K OBSLUZE
NAVODILO ZA UPORABO
NÁVOD NA OBSLUHU
UPUTE ZA RAD
MANUAL DE OPERATII
TREORACHA OIBRIÚCHÁIN
ΟΔΗΓΙΕΣ ΧΡΗΣΗΣ
EL KITABI
ИНСТРУКЦИИ ЗА ЕКСПЛОАТАЦИЯ
ИНСТРУКЦИЯ ПО ЕКСПЛУАТАЦИИ
取扱説明書
사용설명서
使用说明书

SV 400


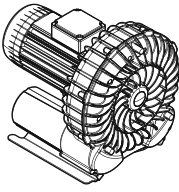




MAKE IT BECKER.

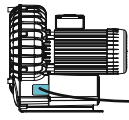
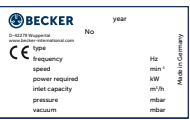



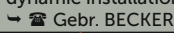


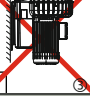

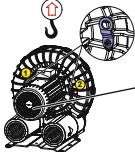

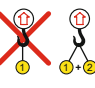

update LTD YOUR UNLIMITED PARTS SOURCE
FOR PRINT FINISHING AND PACKAGING

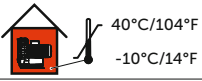

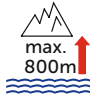
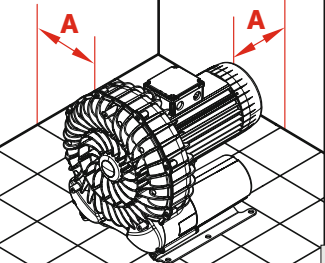



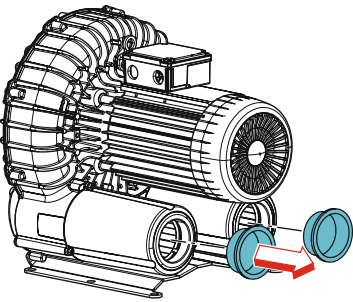
1.800.229.0009 | www.updateitld.com | sales@updateitld.com

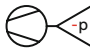
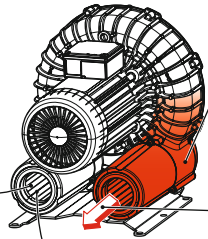




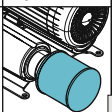
 		
		
		
		

		m³/h mbar
	DIN EN ISO 11203 Accuracy Class 2 $K_{pA} = 3 \text{ dB(A)}$ $l \leftarrow 1\text{m}$	
SV 400/1 (Pressure) ▶ 50/60 Hz, +267/+250 mbar $L_{pA} = 76.8/76.1 \text{ dB(A)}$		
SV 400/1 (Vacuum) ▶ 50/60 Hz, -200/-200 mbar $L_{pA} = 74.5/74.0 \text{ dB(A)}$		
SV 400/2 (Pressure) ▶ 50/60 Hz, +360/+330 mbar $L_{pA} = 73.1/75.1 \text{ dB(A)}$		
SV 400/2 (Vacuum) ▶ 50/60 Hz, -260/-260 mbar $L_{pA} = 71.1/73.0 \text{ dB(A)}$		

static inst. ①-③		dynamic installation 
		
 The pump must be securely mounted at the place of installation. Physical tension on the blower housing must be avoided.		
		
		44-57 kg 97-126 lbs

	
INLET AIR 40°C/104°F 0°C/32°F	optional en option optionale opcional Filter
	
	
max. 800m	
max. 90%	



		
VACUUM		PRESSURE
		
		 AIR >100°C >212°F
	optional en option optionale opcional	

Frequency > 60Hz
Please consult **BECKER**

BECKER Made in: XXXXXXXX ENXXXXX 110V 50/60 Hz	BECKER Made in: XXXXXXXX ENXXXXX 230V 50/60 Hz	BECKER Made in: XXXXXXXX ENXXXXX 400V 50/60 Hz
--	--	--

7

GENERAL

1) motor protection switch ✔

✘

ADDITIONAL $M \geq 5.5 \text{ kW}$

RECOMMENDATION

A

Softstart

B

OPTIONAL

ON (I) -

OFF (0) -

MAX 10/h

M

PTC

8

9

10


PRESSURE


G 3

VACUUM


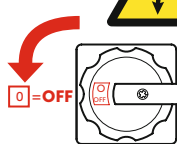




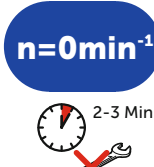
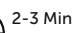

11

Maintenance

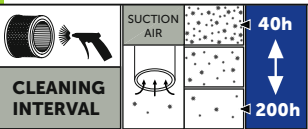




12

13



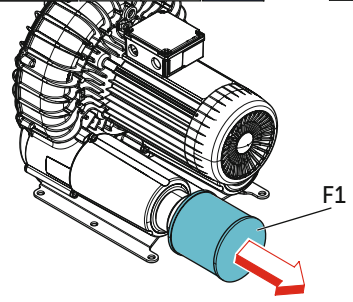
CLEANING INTERVAL

40h
↑↓
200h

SUCTION AIR

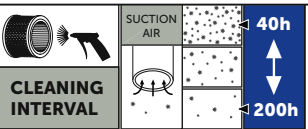
PRESSURE

optional
en option
opcionale
opcional



F1

14



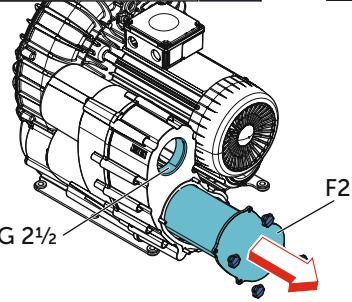
CLEANING INTERVAL

40h
↑↓
200h

SUCTION AIR

VACUUM PRESSURE

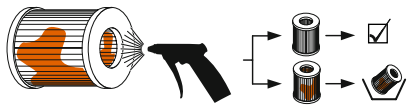
optional
en option
opcionale
opcional



G 2½

F2

15




F1: PRESSURE

No.: 90957300000




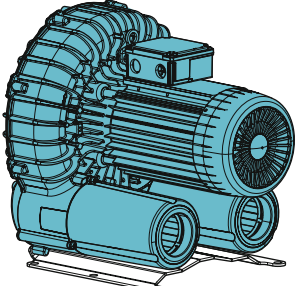
F2: VACUUM + PRESSURE

No.: 90951030000



EN149 - FFP3
42 CFR 84 - N100

16

17



Gebr. Becker GmbH
Hoelker Feld 29-31
42279 WUPPERTAL
GERMANY
info@becker-international.com
www.becker-international.com



The logo consists of a circular icon on the left containing a stylized 'B' with three curved lines, followed by the word 'BECKER' in a bold, blue, sans-serif font.



MAKE IT BECKER.

update LTD YOUR UNLIMITED PARTS SOURCE
FOR PRINT FINISHING AND PACKAGING

1.800.229.0009 | www.updateltd.com | sales@updateltd.com

 **BECKER**

www.becker-international.com