

TECHNICAL INFORMATION

CoilMac-ECP

Partial disengageable pins, Round (4mm) holes, 0.25" pitch



CoilMac-ECP+

Fully disengageable pins, Oval (4 x 5mm) holes, 0.2475" pitch



BINDING FORMAT

	CoilMac-ECP+	CoilMac-ECP41	CoilMac-ECP51	CoilMac-ECP06
Legal (14" or 356 mm)	= 54 + 2 holes	= 53 + 2 holes	= 65 + 5 holes	= 55 + 2 holes
Oficio (13" or 330 mm)	= 52 holes	= 53 holes	= 65 holes	= 54 holes
A4 (11.69" or 297 mm)	= 47 holes	= 46 holes	= 59 holes	= 49 holes
Letter (11" or 279 mm)	= 44 holes	= 43 holes	= 55 holes	= 46 holes
A5 (8.27" or 210 mm)	= 33 holes	= 33 holes	= 41 holes	= 34 holes
1/2 Letter (8.5" or 215.9 mm)	= 34 holes	= 32 holes	= 42 holes	= 35 holes

CAPACITY & DIAMETER	No. Sheets (20 lbs)	DOCUMENT		COIL mm	No. Sheets (20 lbs)	DOCUMENT		COIL mm
		inch	mm			inch	mm	
	25	1/8"	3.2 mm	5 mm	180	3/4"	19.0 mm	20 mm
	35	5/32"	4.0 mm	6 mm	200	25/32"	19.8 mm	22 mm
	45	3/16"	4.8 mm	7 mm	230	7/8"	22.2 mm	25 mm
	60	1/4"	6.4 mm	8 mm	250	1 "	25.4 mm	28 mm
	70	9/32"	7.2 mm	9 mm	280	1-1/16"	27.0 mm	30 mm
	80	5/16"	7.9 mm	10 mm	300	1-1/8"	28.5 mm	32 mm
	100	13/32"	10.3 mm	12 mm	350	1-5/16"	33.3 mm	38 mm
	120	15/32"	11.9 mm	14 mm	400	1-9/16"	39.7 mm	45 mm
	150	19/32"	15.0 mm	17 mm	450	1-7/8"	47.5 mm	50 mm

WARRANTY POLICY

YOUR **CoilMac-ECP** HAS A WARRANTY OF ONE YEAR FROM DATE OF PURCHASE. IN THE EVENT OF A MANUFACTURER'S DEFECT, YOUR DISTRIBUTOR (AT OPTION) WILL REPAIR OR REPLACE IT. IMPORTANT: THIS WARRANTY DOES NOT COVER DAMAGES DUE TO IMPROPER USE OR MISS TREATMENT OF THE UNIT, INCLUDING ANY EXTRAORDINARY EVENT LEADING TO THE DAMAGE OF THE MACHINE, WHETHER IT IS REVERSIBLE OR NOT.

IF THE **CoilMac-ECP** IS NOT WORKING PROPERLY, FIRST FOLLOW THE CORRECTIVE ACTIONS ABOVE. IF THE PROBLEM PERSISTS, PLEASE CONTACT YOUR DEALER FOR FURTHER INSTRUCTIONS. PLEASE HAVE YOUR MACHINE'S SERIAL NUMBER AND THE PURCHASE DATE READY. IF THE MACHINE MUST BE RETURNED TO YOUR DISTRIBUTOR, IT IS YOUR RESPONSIBILITY TO PROPERLY PACK AND SHIP IT. AS ANY DAMAGES INCURRED DURING ITS TRANSPORTATION IS NOT COVERED BY OUR WARRANTY POLICY.

CoilMac-ECP OPERATIONAL MANUAL

INTRODUCTION

CONGRATULATIONS ON THE PURCHASE OF YOUR NEW **CoilMac-ECP**, A PROFESSIONAL AND HEAVY-DUTY COIL PUNCH MACHINE. YOUR **CoilMac-ECP** WAS CAREFULLY DESIGNED WITH A FULL RANGE OF FUNCTIONS AND PREMIUM QUALITY COMPONENTS TO GUARANTEE AN EFFORTLESS AND PROFESSIONAL BIND, AS WELL AS MANY YEARS OF TROUBLE-FREE SERVICE.

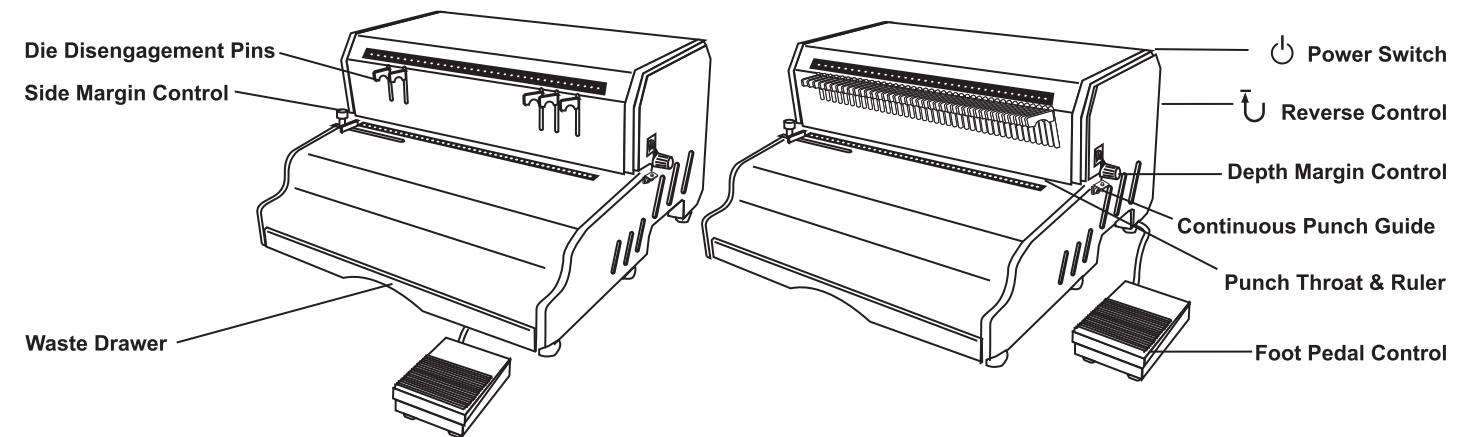
IMPORTANT

WE RECOMMEND THAT YOU TAKE A FEW MINUTES TO FAMILIARIZE YOURSELF WITH THE FUNCTIONS OF YOUR NEW **CoilMac-ECP**. YOU WILL FIND THAT WITH JUST A LITTLE PRACTICE, ANYONE CAN ACHIEVE PROFESSIONAL RESULTS.

FEATURES

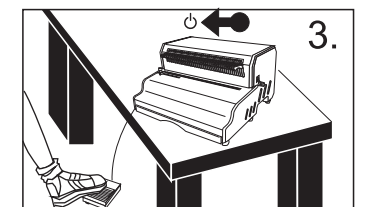
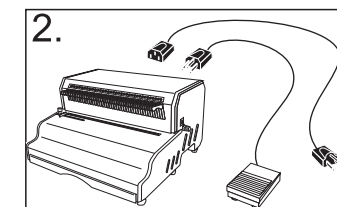
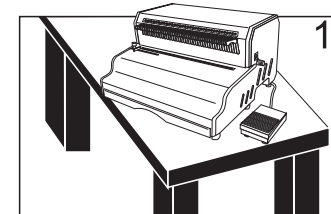
CoilMac-ECP

CoilMac-ECP+



ASSEMBLY & SAFETY INSTRUCTIONS

1. Place your new **CoilMac-ECP** on top of a sturdy working table. **See picture 1**
2. Plug the power cord and foot pedal cord to the back of machine **See picture 2**
3. Turn on Power Switch. Recommended: Press foot pedal to test the electric punch **See picture 3.**



4. Keep fingers, hair, jewelry, necktie and any loose clothing or objects away from roller, as they may be accidentally pulled into the roller.
5. Do not allow children to operate the machine. The **CoilMac-ECP** is not a toy.
6. Always turn switch-off and place foot pedal out of reach when machine is not in use.
7. To reduce the risk of electric shock, never operate the **CoilMac-ECP** near water.
8. Do not use the **CoilMac-ECP** if power cord is damaged.
9. Do not allow the electric cord to be in contact with hot surfaces.
10. In case of malfunction, return the unit to your distributor for service. This equipment does not contain any part that can be serviced by the consumer or operator.

SET-UP

1. Use Coil Size Guide to determine the correct:

- ☞ Depth Margin
- ☞ Coil Diameter

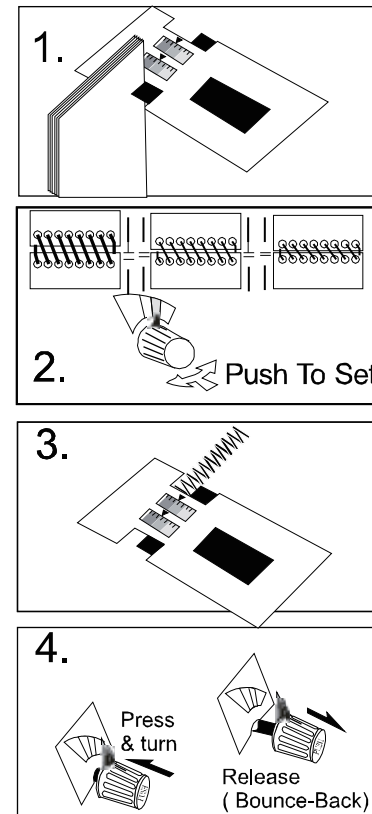
See Picture 1

2. To adjust the correct Punching Margin, press and rotate the Depth Margin Control. **See Picture 2**

3. (OPTIONAL) You may use the Coil Diameter Selector to determine or double check that you are using the correct coil diameter for your document. **See Picture 3**

HINT

To properly adjust the depth margin, press and rotate the Depth Margin Control at the same time. Release it upon reaching the desired position. **The Depth Margin Control button must bounce-back upon release. If it does not bounce-back, rotate it slightly back and forth until it does so.** **See picture 4**



PUNCHING

1. Use the Punch Throat Ruler and Side Margin Control to center the punching of your document. **See Picture 1 & 2.** **HINT:** Insert a sheet and make sure you disengage any hole that is left partially exposed on the Punch Throat Ruler. Failing to do so will leave a partially perforated hole at the edge of your document.

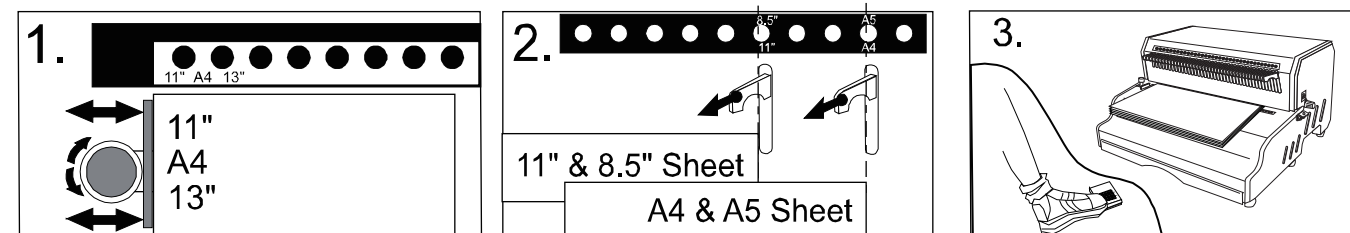
(For **CoilMac-ECP** models)

Various disengageable pins can be found at strategically designed positions, to avoid partially perforated holes in most common sheet sizes (such as 11", 8-1/2", 14", A4 & A5, etc).

(For **CoilMac-ECP+** model)

Full disengageable pins guarantees a clean punch on any standard or custom size sheets. Also, specially designed 0.2475" Pitch gives you 44 evenly centered holes in a 11" sheet, which results in adequate hole to edge-of-sheet margins and easier coil insertion.

2. Press foot pedal to punch. **See picture 3**

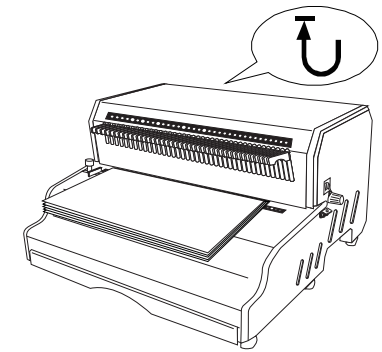


REMARKS:

- a). When using your **CoilMac-ECP** for the first time, punch a few waste sheets. This will clean-off any excess oil on the punching dies.
- b) Maximum single punching capacity: 23 sheets (20 lbs paper)
- c) Recommended number of sheets per punch (for maximum equipment durability): 15 sheets (20 lbs paper)
- d) Empty the Waster Drawer from time to time. Overfilled Waste Drawer may cause machine to malfunction.

IN CASE OF PAPER JAM

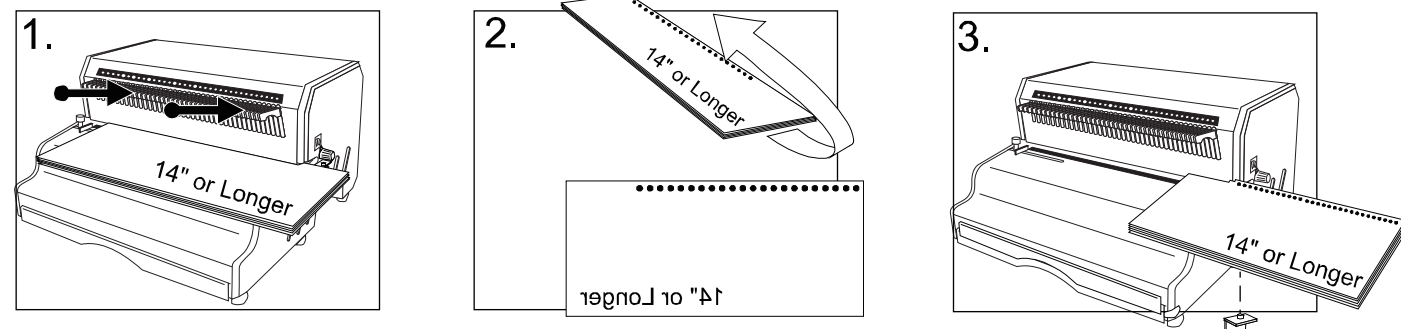
The punching action will automatically stop in case the punch sheets are overloaded or too heavy. When this occurs, simply press the Reverse Button in the back of the machine repeatedly, until all the punching dies return to their original, home position. Now you can pull out some of the sheets and re-start the punching action by pressing the Foot Pedal again.



FOR PUNCHING DOCUMENT 14" (356MM) OR LARGER

1. Align Sheets as indicated on Punch Throat Ruler. Make sure all Die Disengagement Pins are pushed in.
2. Insert sheets and press Foot Pedal to punch. **See Picture 1**
3. Remove sheets and flip them over as illustrated. **See Picture 2.**
4. Insert sheet from right-hand-side. Press Foot Pedal to Punch. **See picture 3.**

IMPORTANT: Document must be inserted in such a way as to place one of the already perforated holes onto the **Continuous Punch Guide**. Make sure that the last hole (Document edge), if partially covered by the Punch Throat & Ruler, is aligned to a disengaged die, otherwise your document will be left partially perforated.



COIL INSERTING (Optional & Recommended)

For the best coil binding experience and to achieve maximum productivity, we recommend attaching one of the following Electric Coil Finishers onto your CoilMac-ECP.

Option 1 : Finish@Coil-E1 (Electric coil inserter + electric crimper)

Option 2 : Finish@Coil M (Electric coil inserter + manual crimper)

Remarks : These Electric Coil Finishers are not part of CoilMac-ECP and are sold separately.

