



Authorized Dealer
1.800.229.0009
sales@updateltd.com
www.updateltd.com

DATA SHEET

DTLF 2.400 ROTARY VANE COMPRESSORS

oil-free
air-cooled

MAKE IT BECKER.

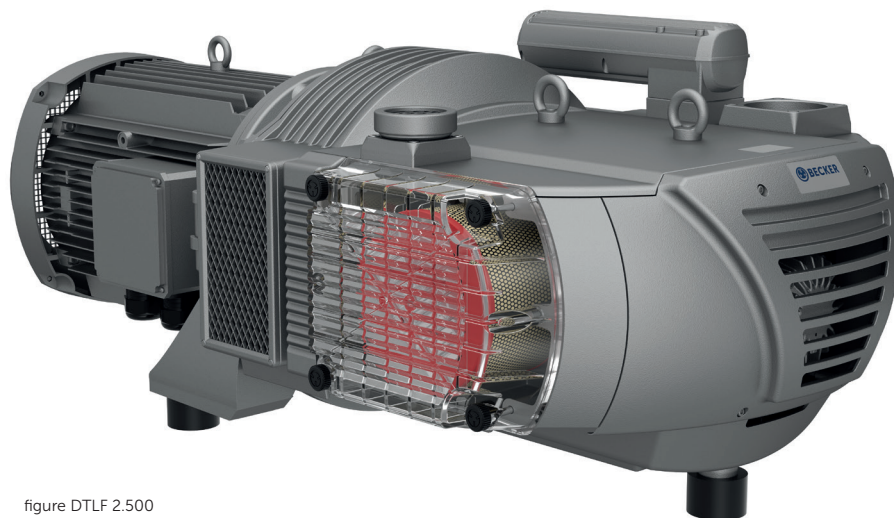
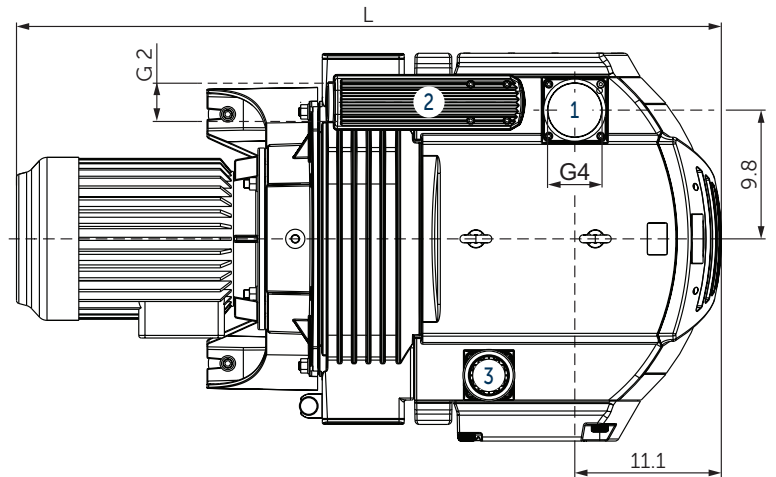
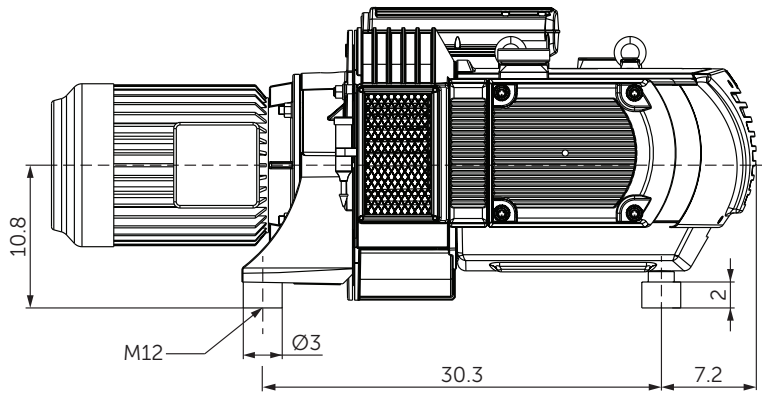
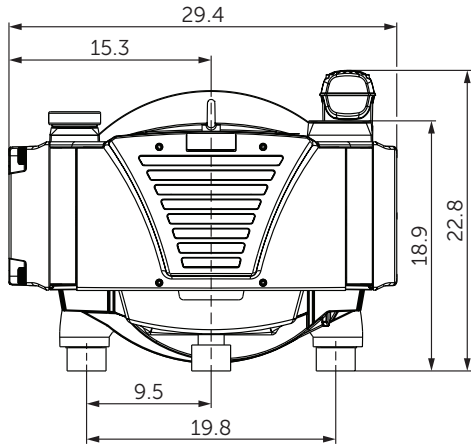


figure DTLF 2.500





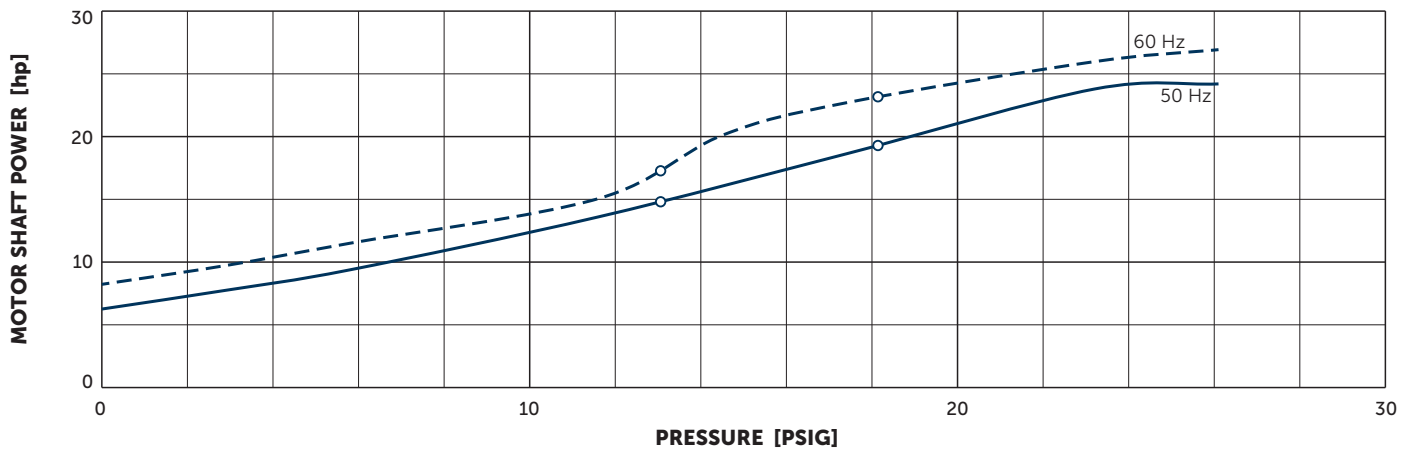
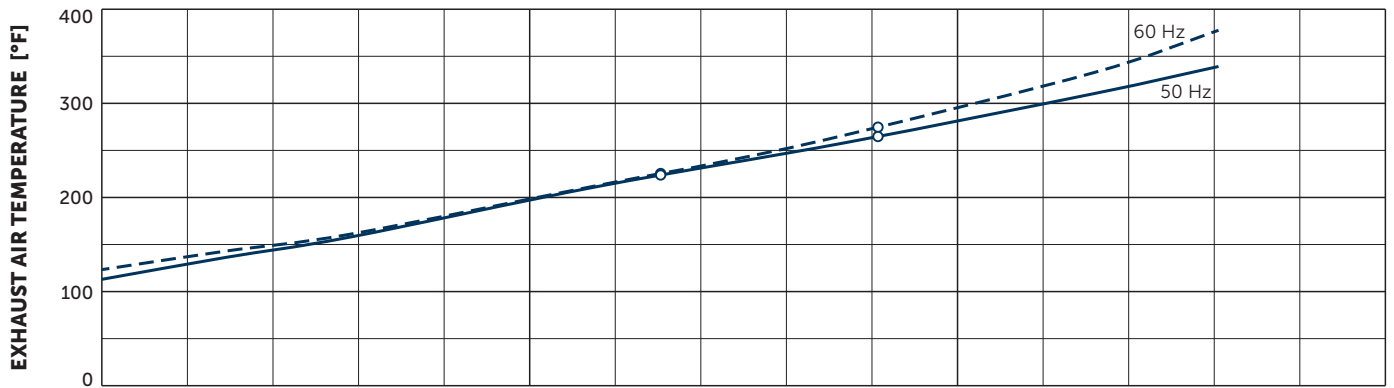
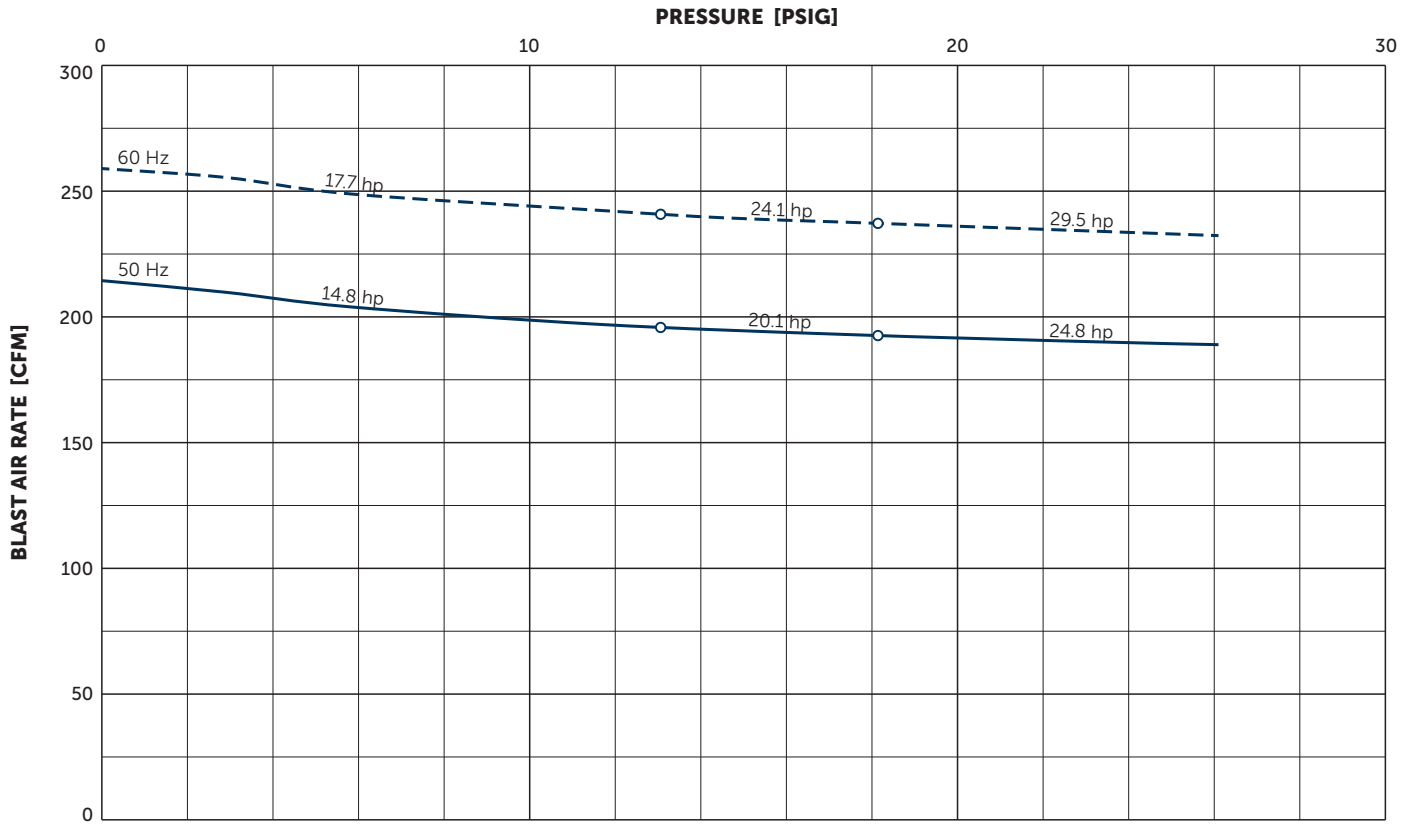
- 1 Pressure connection (G4)
- 2 Pressure safety valve with silencer
- 3 Air nozzle
- Including integrated suction air filter
- The motor illustration may vary
- Dimensions in inch

Blast air rate		Pressure		Motors		Emission sound pressure level ¹⁾		Weight w/o motor
CFM		PSIG		hp		dB(A)		lbs
50 Hz	60 Hz	50 Hz	60 Hz	50 Hz	60 Hz	50 Hz	60 Hz	
215	259	13.1	13.1	14.8	17.7	79	81	546.8
215	259	18.1	18.1	20.1	24.1	80	82	546.8
215	259	26.1	26.1	24.8	29.5	80	82	546.8

¹⁾ According to DIN EN ISO 11203, accuracy class of measurement: class 2, extended measurement uncertainty: 3 dB
39.4 inch distance, at medium load, both connection sides piped

3~ Motors												L	
#	50 Hz				60 Hz				Weight lbs	Version	inch		
	hp	V	rpm	A	hp	V	rpm	A					
01	14.8	Δ400	IE3	738	30.5	17.7	Δ460 Δ400	IE3	885 877	30.3 31.6	441.0	UL(E235514) • CSA CC329B IP55 • ISO F • bimetal	60.2
02						17.7	YY230/Y460 YY208	IE3	881 876	51.4/25.7 54.6	403.5	UL(E235514) • CSA CC329B IP55 • ISO F • bimetal	60.2
03	20.1	Δ400	IE3	733	33.7	24.1	Δ460 Δ400	IE3	880 873	34.1 37.3	421.2	UL(E235514) • CSA CC329B IP55 • ISO F • bimetal	61.7
04						24.1	YY230/Y460 YY208	IE3	885 864	72.6/36.3 67.2	421.2	UL(E235514) • CSA CC329B IP55 • ISO F • bimetal	61.7
05	24.8	Δ400	IE3	738	51.2	29.5	Δ460 Δ400	IE3	885 883	50.1 50.8	511.6	UL(E235514) • CSA CC329B IP55 • ISO F • bimetal	61.7
06						29.5	YY230/Y460 YY208	IE3	887 884	102.4/51.2 102.2	511.6	UL(E235514) • CSA CC329B IP55 • ISO F • bimetal	61.7

• Current consumption and rotation speed may vary. Tolerance in each case -1.5/+2%



Reference data (atmosphere): 0 PSIG, 68°F; Tolerance: ±5%

+ VARIANTS AND ACCESSORIES

- Internal dust separator
- External suction filter¹⁾
- Sound proof box SH 12¹⁾



Sound proof box SH 12

¹⁾ See separate data sheet
▪ Possible combinations on request



MAKE IT BECKER.