


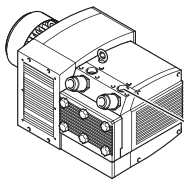







**BETRIEBSANLEITUNG
OPERATING INSTRUCTIONS
INSTRUCTIONS DE SERVICE
ISTRUZIONI D'USO
HANDLEIDING
INSTRUCCIONES PARA EL MANEJO
MANUAL DE INSTRUÇÕES
NAUDOJIMOSI INSTRUKCIJA
KASUTUSJUHEND
LIETOŠANAS INSTRUKCIJA
DRIFTSINSTRUKS
DRIFTSINSTRUKTIONER
DRIFTSVEJLEDNING
INSTRUKCJA OBSŁUGI**

**KEZELÉSI ÚTMUTATÓ
NÁVOD K OBSLUZE
NAVODILO ZA UPORABO
NÁVOD NA OBSLUHU
UPUTE ZA RAD
MANUAL DE OPERATII
TREORACHA OIBRIÚCHÁIN
ΟΔΗΓΙΕΣ ΧΡΗΣΗΣ
EL KITABI
ИНСТРУКЦИИ ЗА ЕКСПЛОАТАЦИЯ
ИНСТРУКЦИЯ ПО ЕКСПЛОАТАЦИИ
取扱説明書
사용설명서
使用说明书**

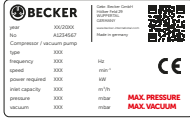

DVT 3.140

MAKE IT BECKER.


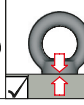


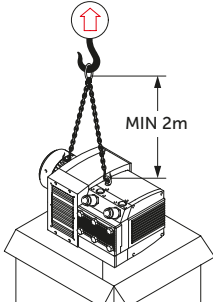


 	
	
 <p><input checked="" type="checkbox"/> AIR</p>	 
	 



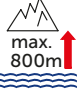
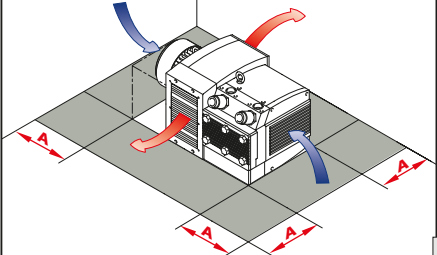
1

<p>MAX. PRESSURE</p> <p>MAX. VACUUM</p>	 <p>mbar</p>
<p>MAX. V</p>	 <p>m³/h</p>
<p>L_{pA})))</p> <p>DIN EN ISO 11203 Accuracy Class 2 K_{pA} = 3 dB(A) l ← 1m</p>	<p>L_{pA} = 78 dB(A) - 50Hz</p> <p>L_{pA} = 79 dB(A) - 60Hz</p>


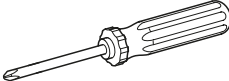
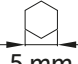
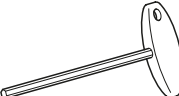
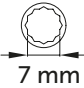
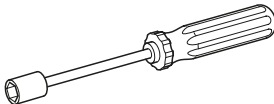
2

			 <p>140 kg 309 lbs</p>
			

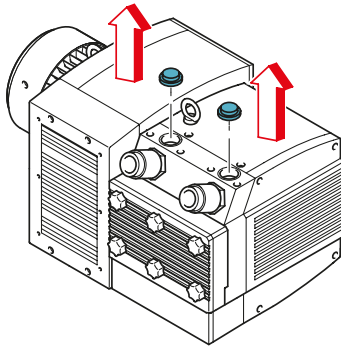
3

<p>A > 100mm A > 4"</p>	 <p>> 5°C/41°F < 45°C/113°F</p>	 <p>max. 90%</p>	 <p>max. 800m</p>
			

4

 <p>No. 2</p>	
 <p>5 mm</p>	
 <p>7 mm 10 mm</p>	

5



6

MOTOR-PROTECTION

=

50Hz	60Hz
XXX / XXX V	XXX / XXX V
XXX / XXX A	XXX / XXX A

SERVICE FACTOR

X

RATED CURRENT

7

optional

Bi-metal

PTC

¹⁾ motor protection switch

ON (I) - 1 2 MAX 10x/h

OFF (O) -

8

9

10

PRESSURE

0 2 10 [m]

1 1/2" 2" + 2x

VACUUM

11

BECKER

year: XX/20XX

No.: A1234567

Compressor / vacuum pump

type: XXX

frequency: XXX Hz

speed: XXX rpm¹⁾

power required: XXX kW

inlet capacity: XXX m³/h

pressure: XXX mbar

vacuum: XXX mbar

CE

12

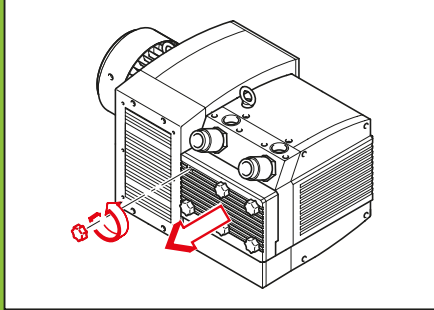
Maintenance



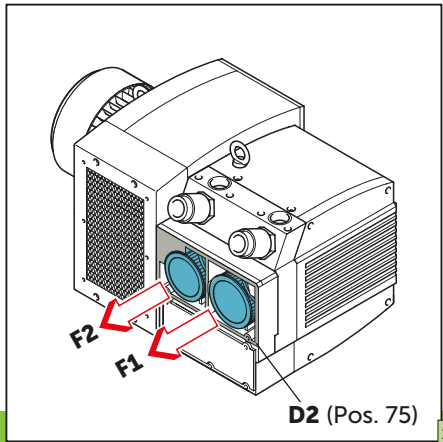
13

14

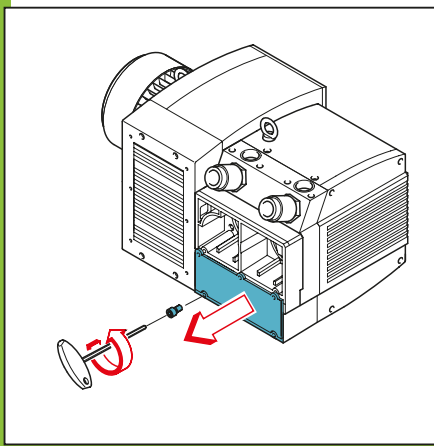
<p>CLEANING INTERVAL</p>	<p>SUCTION AIR</p>	<p>40h ↑ ↓ 200h</p>	<p>EN149 - FFP3 42 CFR 84 - N100</p>
---------------------------------	--------------------	---------------------------------	--



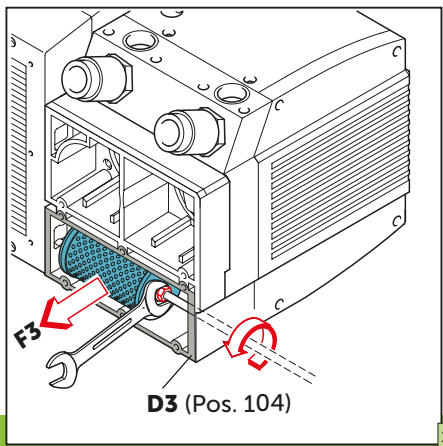
15




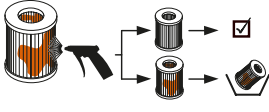
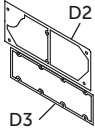
16



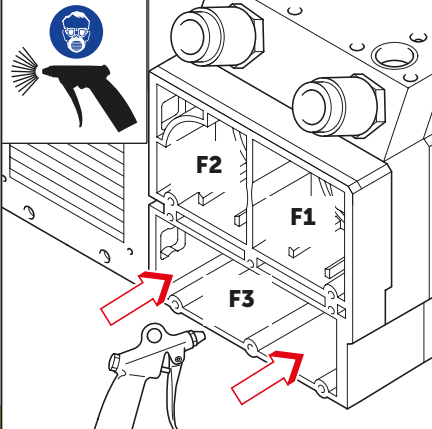
17



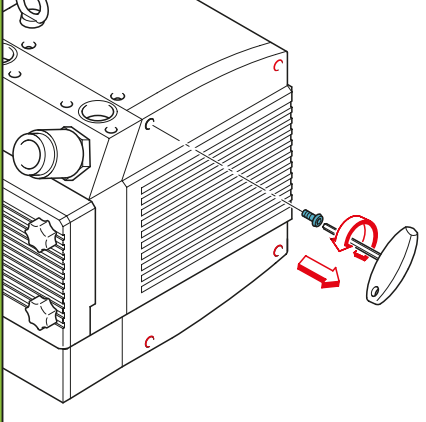
18

		
EN149 - FFP3 42 CFR 84 - N100		
		
F1 No.: 909507	F2 No.: 909507	F3 No.: 909514
	Satz / Kit Pos.: 17, 20, 24, 62, 75 , 76, 85, 86, 104 , 122, 125, 126, 146 ► No.: 549002 21300	

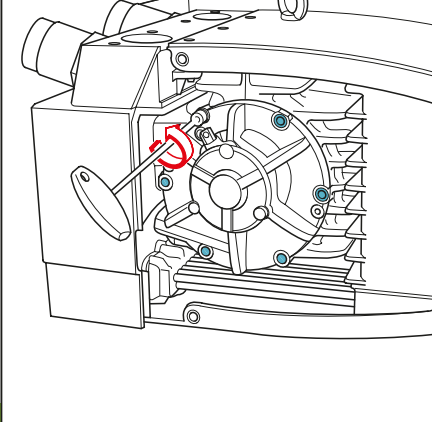
19



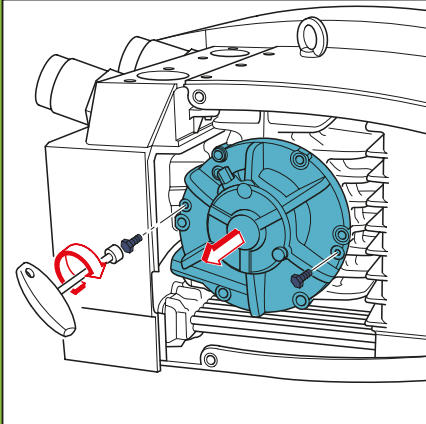
20




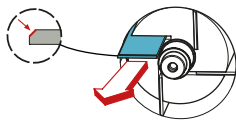
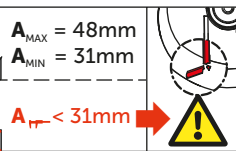
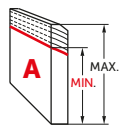



21



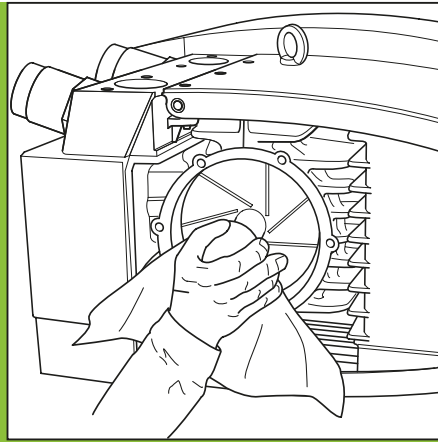
22



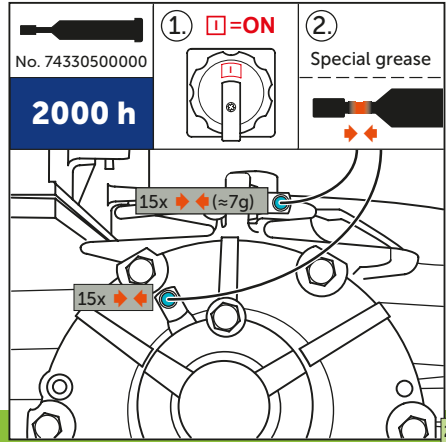
23

	
3000 h	
	$A_{MAX} = 48mm$ $A_{MIN} = 31mm$ $A_{TYP} < 31mm$
	
	No. 9013340007 (SET)

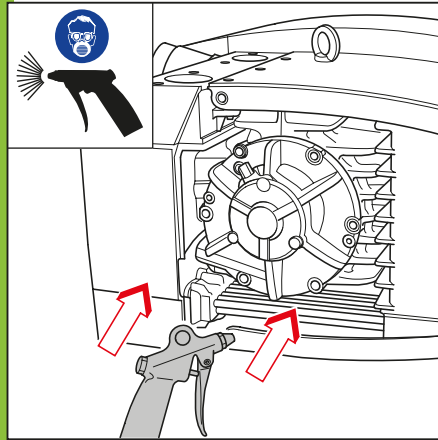
24



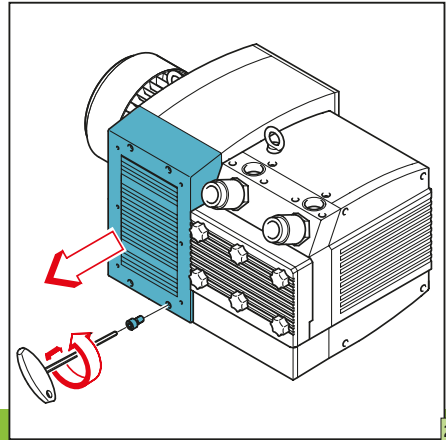
25



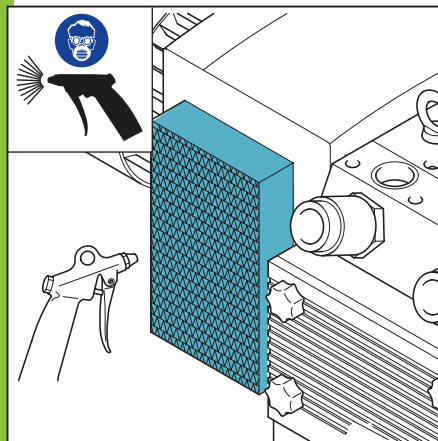
26



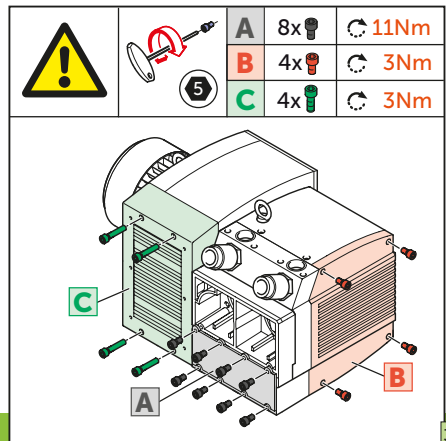
27



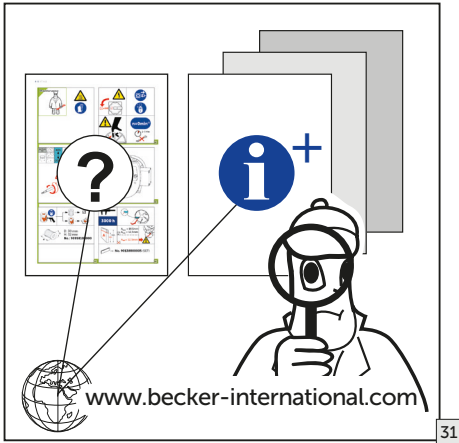
28



29



30



WWW.BECKER-INTERNATIONAL-SHOP.COM

Gebr. Becker GmbH
Hoelker Feld 29-31
42279 WUPPERTAL
GERMANY
info@becker-international.com
www.becker-international.com





MAKE IT BECKER.