


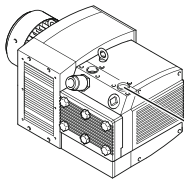







BETRIEBSANLEITUNG
OPERATING INSTRUCTIONS
INSTRUCCIONES DE SERVICE
ISTRUZIONI D'USO
HANDLEIDING
INSTRUCCIONES PARA EL MANEJO
MANUAL DE INSTRUÇÕES
NAUDOJIMOSI INSTRUKCIJA
KASUTUSJUHEND
LIETOŠANAS INSTRUKCIJA
DRIFTSINSTRUKS
DRIFTSINSTRUKTIONER
DRIFTSVEJLEDNING
INSTRUKCJA OBSŁUGI

KEZELÉSI ÚTMUTATÓ
NÁVOD K OBSLUZE
NAVODILO ZA UPORABO
NÁVOD NA OBSLUHU
UPUTE ZA RAD
MANUAL DE OPERATII
TREORACHA OIBRIÚCHÁIN
ΟΔΗΓΙΕΣ ΧΡΗΣΗΣ
EL KITABI
ИНСТРУКЦИИ ЗА ЕКСПЛОАТАЦИЯ
ИНСТРУКЦИЯ ПО ЕКСПЛУАТАЦИИ
取扱説明書
사용설명서
使用说明书



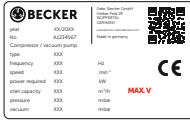
KDT 3.140


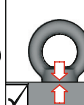


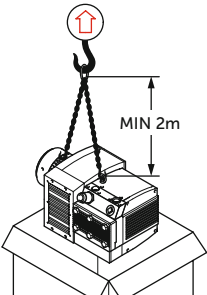
MAKE IT BECKER.





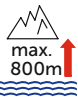
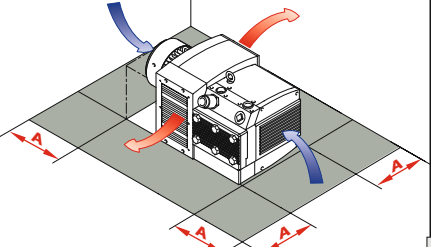
 		
		
 <p><input checked="" type="checkbox"/> AIR</p>		
		

1


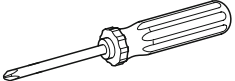

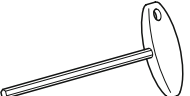

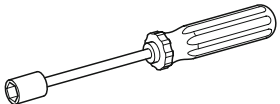
<p>MAX. PRESSURE</p>		<p>mbar</p>
	 <p>MAX.</p>	
<p>L_{pA})))</p> <p>DIN EN ISO 11203 Accuracy Class 2 K_{son} = 3 dB(A) l ← 1m</p>	<p>L_{pA} = 82 dB(A) - 50Hz L_{pA} = 84 dB(A) - 60Hz</p>	<p>2</p>

			 <p>136-140 kg 300-309 lbs</p>
			

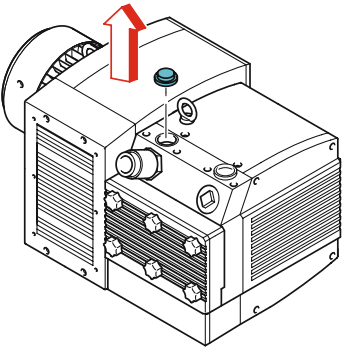
3

<p>A > 100mm A > 4"</p>	 <p>> 5°C/41°F < 45°C/113°F</p>	 <p>max. 90%</p>	 <p>max. 800m</p>
			

4

 <p>No. 2</p>	
 <p>5 mm</p>	
 <p>7 mm 10 mm</p>	

5



6

MOTOR-PROTECTION
=

(CF LXX)	
50Hz	60Hz
XXX / XXX V	XXX / XXX V
XXX / XXX A	XXX / XXX A

SERVICE FACTOR
X
RATED CURRENT

7

GENERAL

¹⁾ motor protection switch

ADDITIONAL $\geq 5.5 \text{ kW}$

RECOMMENDATION

A
Softstart

B

OPTIONAL

ON (I) - 1 2 MAX 10x/h

OFF (O) -

PTC

Bi-metal

8

9

10

PRESSURE

0 2 10 [m]

1 1/2" 2" + 1x

11

BECKER

year: XXX/20XX

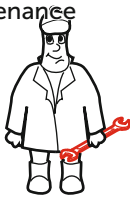
no.: A1234567

Compressor / vacuum pump

type	XXX	Hz
frequency	XXX	mm ³
speed	XXX	kW
power required	XXX	m ³ /h
inlet capacity	XXX	mmHg
pressure	XXX	mmbar
vacuum	XXX	mmbar

12

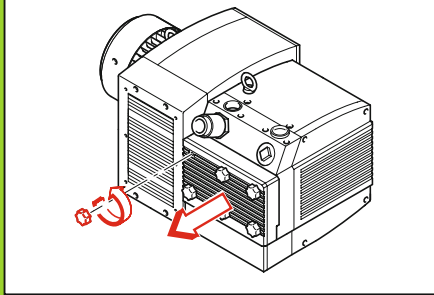
Maintenance



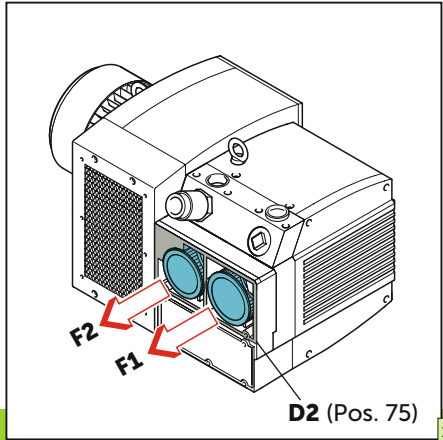
13

14

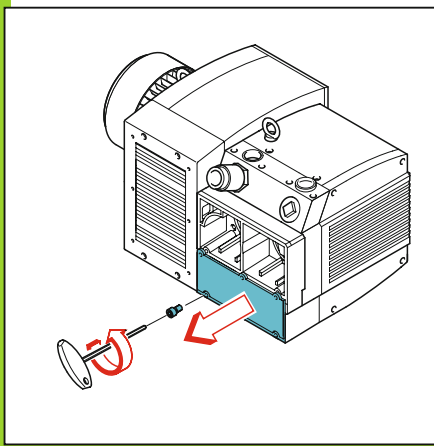
 CLEANING INTERVAL	<p>SUCTION AIR</p>	<p>40h</p> <p>↑ ↓</p> <p>200h</p>	 <p>EN149 - FFP3 42 CFR 84 - N100</p>
------------------------------	--------------------	-----------------------------------	--



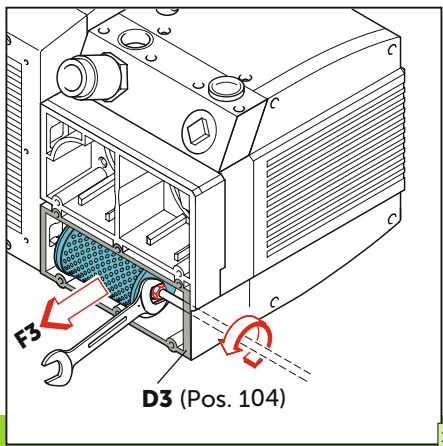
15



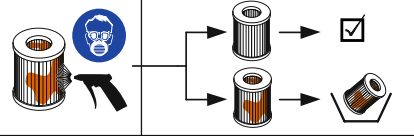
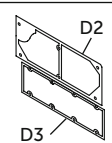
16



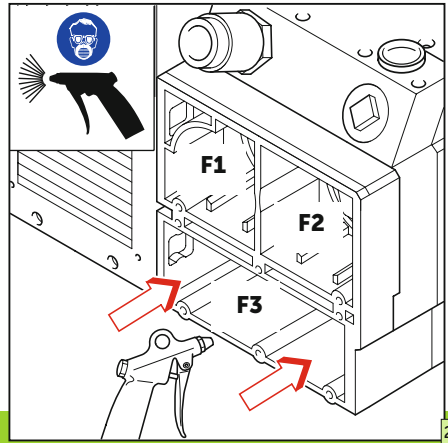
17



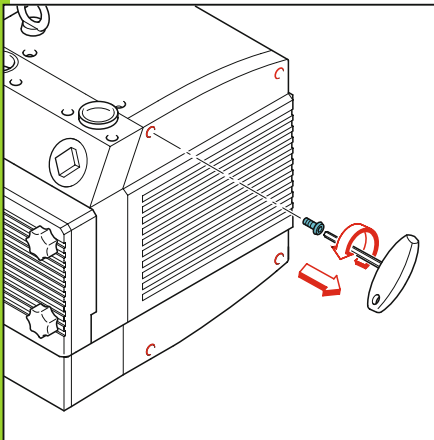
18

		
F1 = F2 (standard)	F2* (polyester) KDT 3.140/6	F3 (standard)
No.: 909507	No.: 909587	No.: 909514
	Satz / Kit Pos.: 17, 20, 24, 62, 75, 76, 85, 86, 104, 122, 125, 126, 146 No.: 549000 21300	

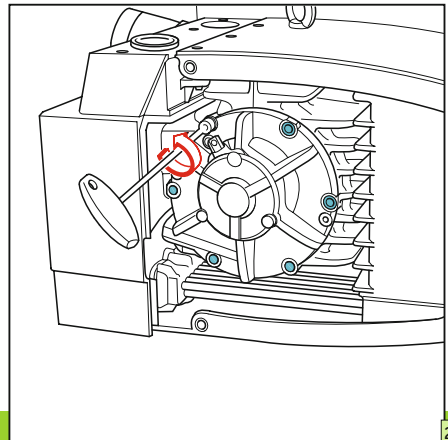
19



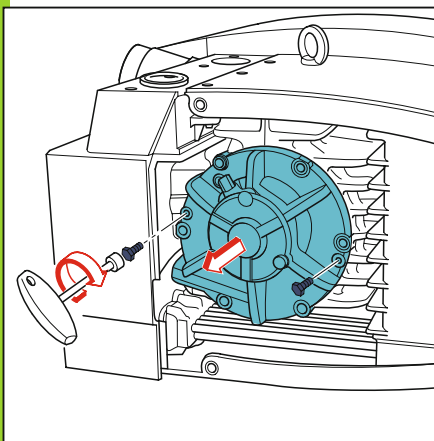
20




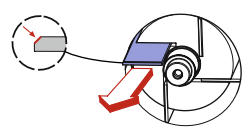
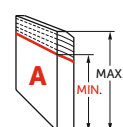

21



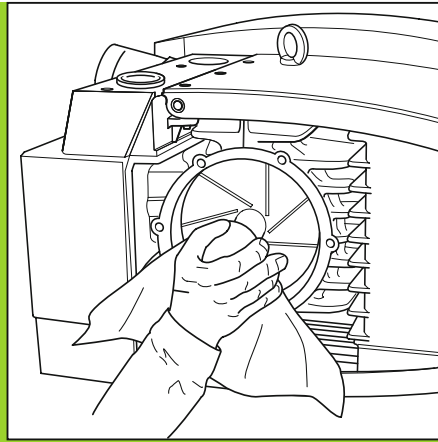
22



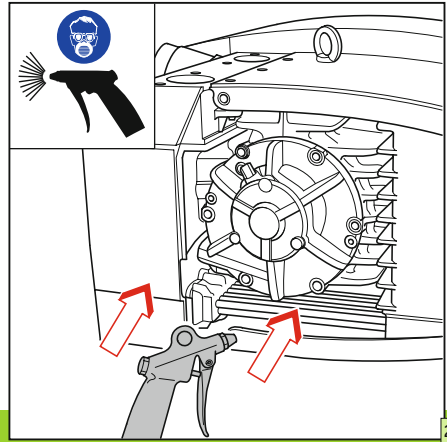
23

	
3000 h	
	$A_{MAX} = 48mm$ $A_{MIN} = 31mm$
<input checked="" type="checkbox"/>	$A_{spr} < 31mm$ 
<p>KDT 3.140 (standard) → No. 90133400004 (SET) KDT 3.140/0-52 → No. 90138100004 (SET) KDT 3.140/6 → " " " " " " KDT 3.140/6-29 → No. 90138100007 (SET) KDT 3.140/6-71 → " " " " " " KDT 3.140/6-71 HD → No. 90138500007 (SET)</p>	

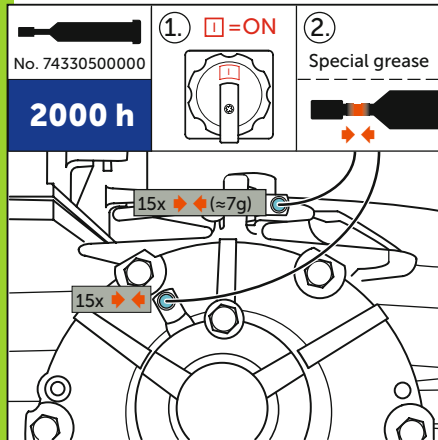
24



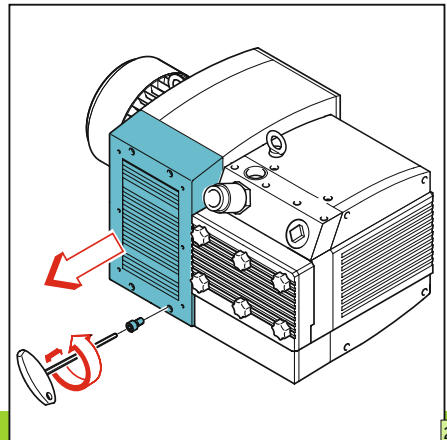
25



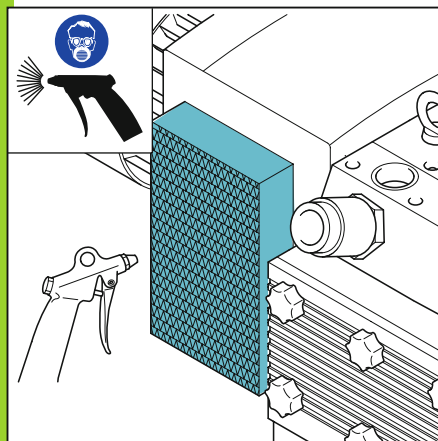
26



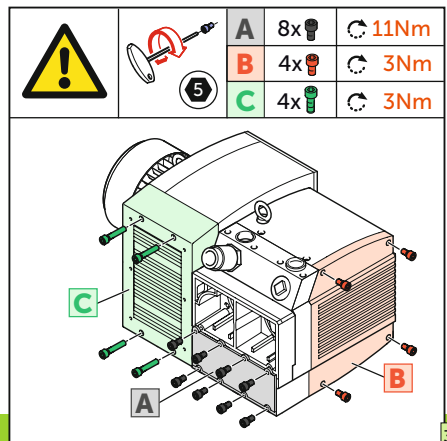
27



28



29



30



The illustration shows a person wearing a hard hat and safety glasses, holding a magnifying glass over a document. The document has a large question mark on the left and an information icon (a lowercase 'i' in a blue circle with a plus sign) on the right. In the background, there are several sheets of paper, one of which displays various safety symbols. A globe is positioned at the bottom left, with lines connecting it to the question mark and the information icon. The website address www.becker-international.com is written at the bottom.

www.becker-international.com



WWW.BECKER-INTERNATIONAL-SHOP.COM

Gebr. Becker GmbH
Hoelker Feld 29-31
42279 WUPPERTAL
GERMANY
info@becker-international.com
www.becker-international.com





MAKE IT BECKER.

2810.0021301 | 2021-12-14 | All rights reserved