


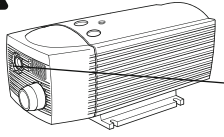







**BETRIEBSANLEITUNG  
OPERATING INSTRUCTIONS  
INSTRUCTIONS DE SERVICE  
ISTRUZIONI D'USO  
HANDLEIDING  
INSTRUCCIONES PARA EL MANEJO  
MANUAL DE INSTRUÇÕES  
NAUDOJIMOSI INSTRUKCIJA  
KASUTUSJUHEND  
LIETOŠANAS INSTRUKCIJA  
DRIFTSINSTRUKS  
DRIFTSINSTRUKTIONER  
DRIFTSVEJLEDNING  
INSTRUKCJA OBSŁUGI**

**KEZELÉSI ÚTMUTATÓ  
NÁVOD K OBSLUZE  
NAVODILO ZA UPORABO  
NÁVOD NA OBSLUHU  
UPUTE ZA RAD  
MANUAL DE OPERATII  
TREORACHA OIBRIÚCHÁIN  
ΟΔΗΓΙΕΣ ΧΡΗΣΗΣ  
EL KITABI  
ИНСТРУКЦИИ ЗА ЕКСПЛОАТАЦИЯ  
ИНСТРУКЦИЯ ПО ЕКСПЛОАТАЦИИ  
取扱説明書  
사용설명서  
使用说明书**

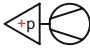
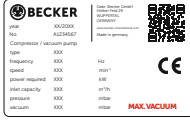


## DT 4.10

**MAKE IT BECKER.**

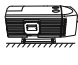

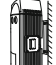
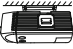
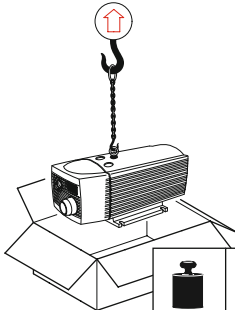


 	
	
 <p><input checked="" type="checkbox"/> <b>AIR</b></p>	 
	 



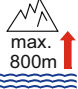
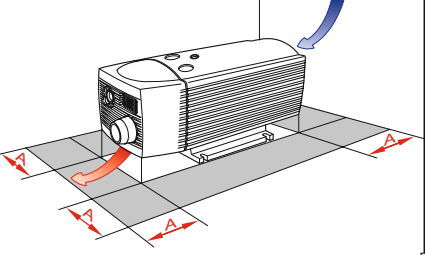
1

 <p><b>MAX. PRESSURE</b></p>	 <p>mbar</p>
 <p><b>MAX.</b></p>	 <p>m<sup>3</sup>/h</p>
<p><b>L<sub>pA</sub></b> )))</p> <p>DIN EN ISO 11203 Accuracy Class 2 K<sub>pA</sub> = 3 dB(A) l ← 1m</p>	<p>L<sub>pA</sub> = 60 dB(A) - 50Hz L<sub>pA</sub> = 62 dB(A) - 60Hz</p>

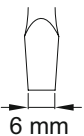
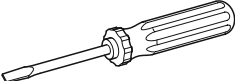
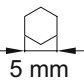
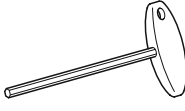
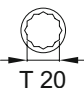
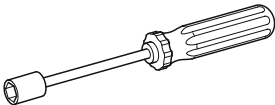
2

			
<input checked="" type="checkbox"/>	<input checked="" type="checkbox"/>	<input checked="" type="checkbox"/>	<input checked="" type="checkbox"/>
			
			<p><b>16 kg</b> <b>35.5 lbs</b></p>


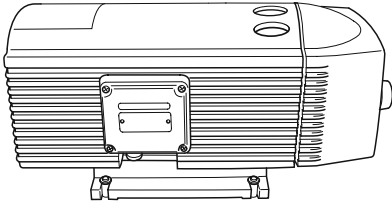
3

<p>A &gt; 100mm A &gt; 4"</p>	 <p>&gt; 5°C/41°F &lt; 45°C/113°F</p>	 <p>max. 90%</p>	 <p>max. 800m ↑</p>
			

4

 <p>6 mm</p>	
 <p>5 mm</p>	
 <p>T 20</p>	

5

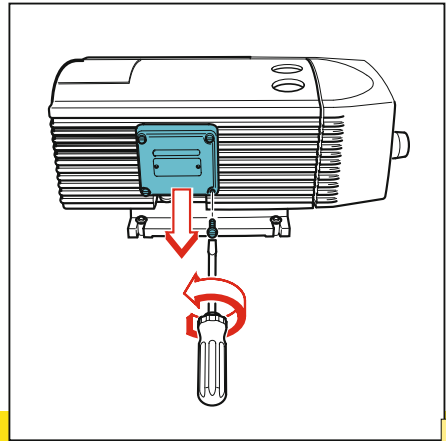
6

**MOTOR-PROTECTION** =

CF 1,XX	
50Hz	60Hz
XXX / 2000 V	XXX / 2000 V
XXX / 200 V	XXX / 200 V

**SERVICE FACTOR**  
X  
**RATED CURRENT**

7



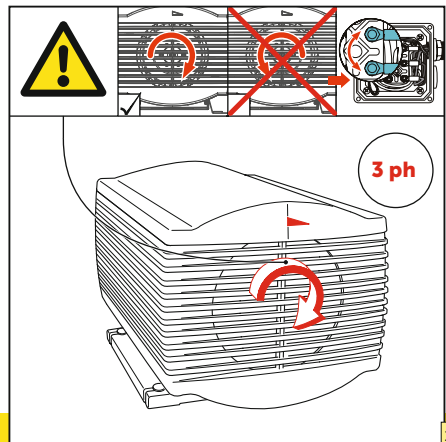
8

**3 ph**

ON (I) - 1 2 **MAX 10x/h**

OFF (0) -

9



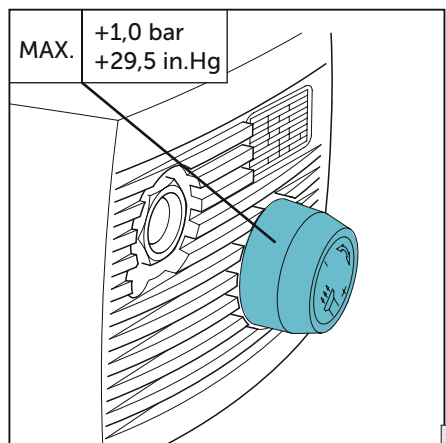
10

**PRESSURE**

0 2 10 [m]




1/2" 3/4" + 1x


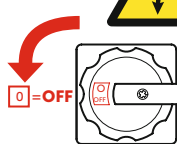


11







12

**Maintenance**

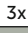




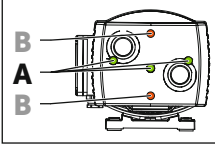






13

14



3x		<input checked="" type="checkbox"/>	<b>6.2Nm</b>
2x		<input type="checkbox"/>	<b>2Nm</b>

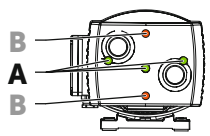




**CLEANING INTERVAL**

40h  
↑  
↓  
200h

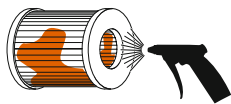
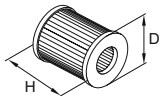
EN149 - FFP3  
42 CFR 84 - N100

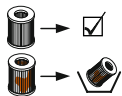


**F2**   **F1**

15

16

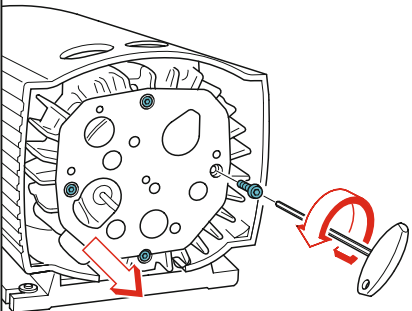






**F1:**   D: 38 mm  
          H: 38 mm  
          No.: 90951800000

---

**F2:**   D: 38 mm  
          H: 38 mm  
          No.: 90955400000



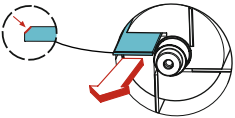


EN149 - FFP3  
42 CFR 84 - N100


17


18

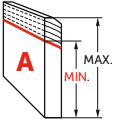
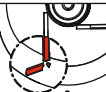
**3000 h**




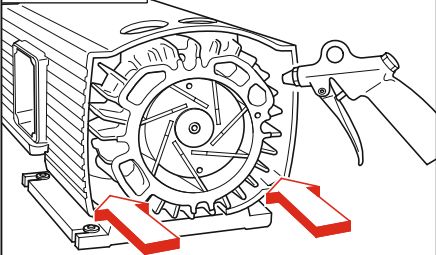
$A_{MAX} = 27\text{mm}$   
 $A_{MIN} = 18\text{mm}$

$A_{T} < 18\text{mm}$  → 


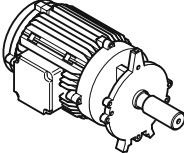
 → No. 90132700007 (SET)

19

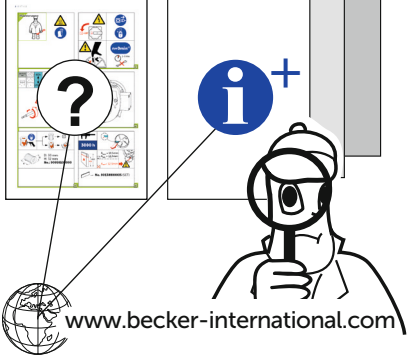
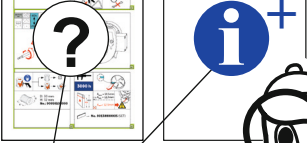
20

~~Regulation  
EU 2019/1781~~

This pump falls under an exemption from EU 2019/1781 as the motor and the pump have common parts.

21

[www.becker-international.com](http://www.becker-international.com)

22



[WWW.BECKER-INTERNATIONAL-SHOP.COM](http://WWW.BECKER-INTERNATIONAL-SHOP.COM)

Gebr. Becker GmbH  
 Hoelker Feld 29-31  
 42279 WUPPERTAL  
 GERMANY  
[info@becker-international.com](mailto:info@becker-international.com)  
[www.becker-international.com](http://www.becker-international.com)





28100027501 | 2021-06-01 | All rights reserved

**MAKE IT BECKER.**

[www.becker-international.com](http://www.becker-international.com)



Authorized Dealer  
1.800.229.0009  
[sales@updateltd.com](mailto:sales@updateltd.com)  
[www.updateltd.com](http://www.updateltd.com)

