


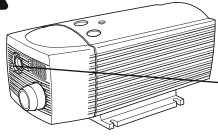







**BETRIEBSANLEITUNG  
OPERATING INSTRUCTIONS  
INSTRUCTIONS DE SERVICE  
ISTRUZIONI D'USO  
HANDLEIDING  
INSTRUCCIONES PARA EL MANEJO  
MANUAL DE INSTRUÇÕES  
NAUDOJIMOSI INSTRUKCIJA  
KASUTUSJUHEND  
LIETOŠANAS INSTRUKCIJA  
DRIFTSINSTRUKS  
DRIFTSINSTRUKTIONER  
DRIFTSVEJLEDNING  
INSTRUKCJA OBSŁUGI**

**KEZELÉSI ÚTMUTATÓ  
NÁVOD K OBSLUZE  
NAVODILO ZA UPORABO  
NÁVOD NA OBSLUHU  
UPUTE ZA RAD  
MANUAL DE OPERATII  
TREORACHA OIBRIÚCHÁIN  
ΟΔΗΓΙΕΣ ΧΡΗΣΗΣ  
EL KITABI  
ИНСТРУКЦИИ ЗА ЕКСПЛОАТАЦИЯ  
ИНСТРУКЦИЯ ПО ЕКСПЛОАТАЦИИ  
取扱説明書  
사용설명서  
使用说明书**


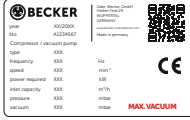


## DT 4.16

**MAKE IT BECKER.**

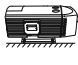

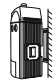
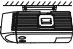



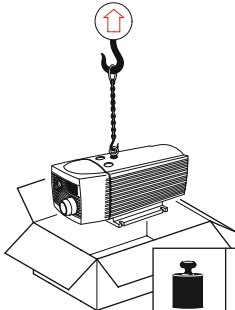


 	
	
 <p><input checked="" type="checkbox"/> <b>AIR</b></p>	 
	 


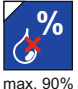
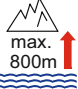
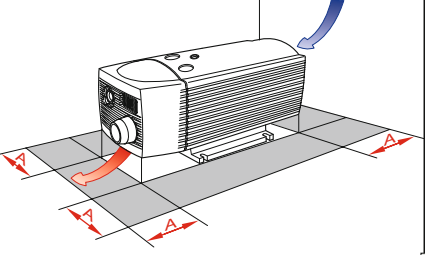
1

 <p><b>MAX. PRESSURE</b></p>	 <p>mbar</p>
 <p><b>MAX.</b></p>	 <p>m<sup>3</sup>/h</p>
<p><b>L<sub>pA</sub></b> )))</p> <p>DIN EN ISO 11203 Accuracy Class 2 K<sub>pA</sub> = 3 dB(A) l ← 1m</p>	<p>L<sub>pA</sub> = 62 dB(A) - 50Hz L<sub>pA</sub> = 64 dB(A) - 60Hz</p>

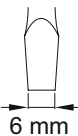
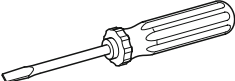
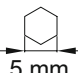
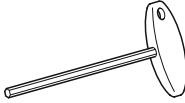
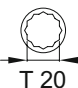
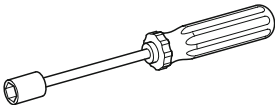
2

			
<input checked="" type="checkbox"/>			
			
			<p>23,5 kg 51.8 lbs</p>


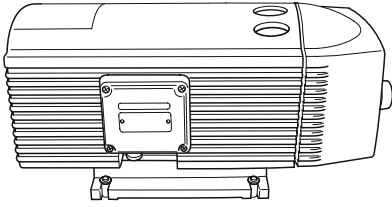
3

<p>A &gt; 100mm A &gt; 4"</p>	 <p>&gt; 5°C/41°F &lt; 45°C/113°F</p>	 <p>max. 90%</p>	 <p>max. 800m ↑</p>
			

4

 <p>6 mm</p>	
 <p>5 mm</p>	
 <p>T 20</p>	

5

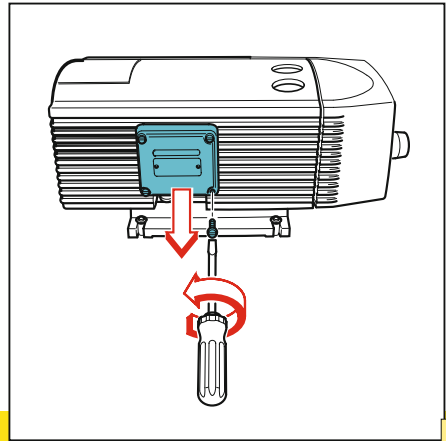
6

**MOTOR-PROTECTION =**

(CF 1,XX)	
50Hz	60Hz
XXX / 2000 V	XXX / 2000 V
(XX / XX X)	(XX / XX X)

**SERVICE FACTOR X RATED CURRENT**

7



8

**3 ph**

9

**3 ph**

10

**PRESSURE**

1/2"


3/4" + 1x



11


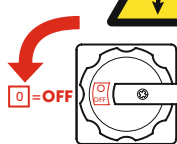
**MAX. +1,0 bar  
+29,5 in.Hg**



12



**Maintenance**







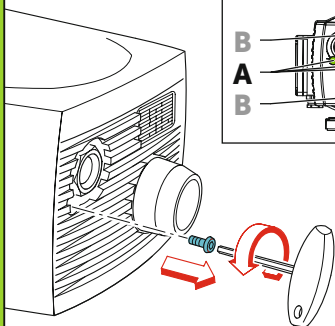



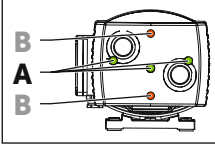
**n=0 min<sup>-1</sup>**




2-3 Min



3x <b>A</b> <input checked="" type="checkbox"/> <b>6.2Nm</b>
2x <b>B</b> <input type="checkbox"/> <b>2Nm</b>



**CLEANING INTERVAL**




40h

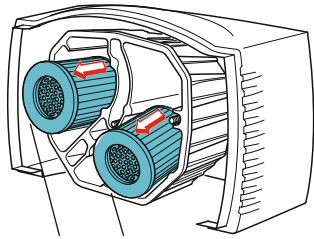
↑

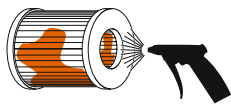
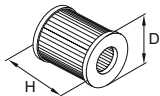
↓

200h




EN149 - FFP3  
42 CFR 84 - N100

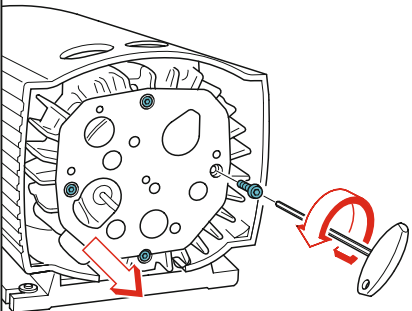


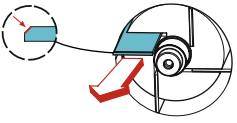



<b>F1:</b>	D: 58 mm	H: 40 mm			
	No.: 90951900000				
<b>F2:</b>	D: 60 mm	H: 40 mm			
	No.: 90954200000				

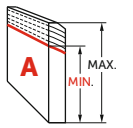


EN149 - FFP3  
42 CFR 84 - N100






**3000 h**

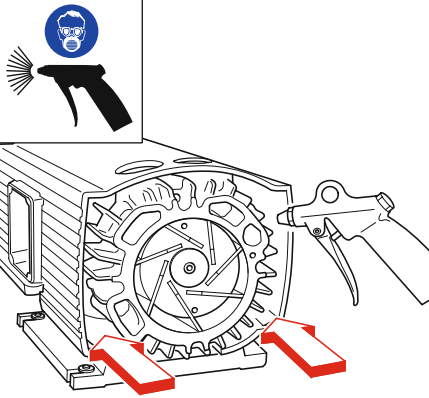


$A_{MAX} = 35\text{mm}$   
 $A_{MIN} = 21\text{mm}$


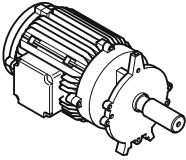
$A_{T-} < 21\text{mm}$  → 

→ No. 90134700007 (SET)

19

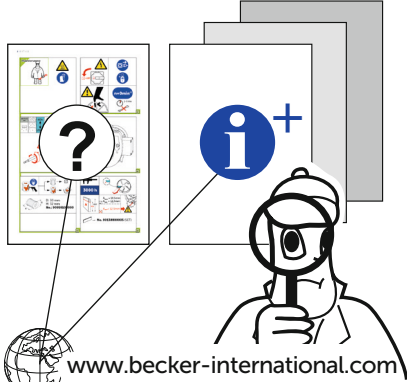


20

This pump falls under an exemption from EU 2019/1781 as the motor and the pump have common parts.

21



[www.becker-international.com](http://www.becker-international.com)

22



[WWW.BECKER-INTERNATIONAL-SHOP.COM](http://WWW.BECKER-INTERNATIONAL-SHOP.COM)

Gebr. Becker GmbH  
Hoelker Feld 29-31  
42279 WUPPERTAL  
GERMANY  
[info@becker-international.com](mailto:info@becker-international.com)  
[www.becker-international.com](http://www.becker-international.com)





**MAKE IT BECKER.**

28100027401 | 2021-06-01 | All rights reserved