


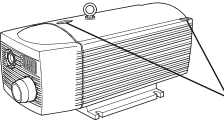







BETRIEBSANLEITUNG  
OPERATING INSTRUCTIONS  
INSTRUCCIONES DE SERVICE  
ISTRUZIONI D'USO  
HANDLEIDING  
INSTRUCCIONES PARA EL MANEJO  
MANUAL DE INSTRUÇÕES  
NAUDOJIMOSI INSTRUKCIJA  
KASUTUSJUHEND  
LIETOŠANAS INSTRUKCIJA  
DRIFTSINSTRUKS  
DRIFTSINSTRUKTIONER  
DRIFTSVEJLEDNING  
INSTRUKCJA OBSŁUGI

KEZELÉSI ÚTMUTATÓ  
NÁVOD K OBSLUZE  
NAVODILO ZA UPORABO  
NÁVOD NA OBSLUHU  
UPUTE ZA RAD  
MANUAL DE OPERATII  
TREORACHA OIBRIÚCHÁIN  
ΟΔΗΓΙΕΣ ΧΡΗΣΗΣ  
EL KITABI  
ИНСТРУКЦИИ ЗА ЕКСПЛОАТАЦИЯ  
ИНСТРУКЦИЯ ПО ЕКСПЛОАТАЦИИ  
取扱説明書  
사용설명서  
使用说明书



## DT 4.25K

**MAKE IT BECKER.**

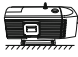


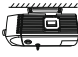


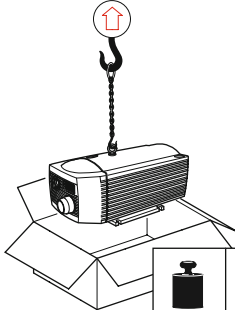
 	
	
 <p><b>AIR</b></p>	 
	 


1

 <p><b>MAX. PRESSURE</b></p>	<table border="1"> <tr> <td colspan="2"><b>BECKER</b></td> <td rowspan="2"></td> <td rowspan="2"><b>CE</b></td> </tr> <tr> <td>Line</td> <td>AG02006</td> </tr> <tr> <td>Ref.</td> <td>A2329167</td> <td></td> <td></td> </tr> <tr> <td>Compressor / Vacuum pump</td> <td></td> <td></td> <td></td> </tr> <tr> <td>Spine</td> <td>000</td> <td></td> <td></td> </tr> <tr> <td>Frequency</td> <td>000</td> <td>50</td> <td></td> </tr> <tr> <td>Speed</td> <td>000</td> <td>1500*</td> <td></td> </tr> <tr> <td>Power input</td> <td>000</td> <td>140</td> <td></td> </tr> <tr> <td>Stroke capacity</td> <td>000</td> <td>41/70</td> <td></td> </tr> <tr> <td>Pressure</td> <td>000</td> <td>mBar</td> <td><b>MAX. VACUUM</b></td> </tr> <tr> <td>Weight</td> <td>000</td> <td>kg</td> <td></td> </tr> </table> <p>mbar</p>	<b>BECKER</b>			<b>CE</b>	Line	AG02006	Ref.	A2329167			Compressor / Vacuum pump				Spine	000			Frequency	000	50		Speed	000	1500*		Power input	000	140		Stroke capacity	000	41/70		Pressure	000	mBar	<b>MAX. VACUUM</b>	Weight	000	kg	
<b>BECKER</b>			<b>CE</b>																																								
Line	AG02006																																										
Ref.	A2329167																																										
Compressor / Vacuum pump																																											
Spine	000																																										
Frequency	000	50																																									
Speed	000	1500*																																									
Power input	000	140																																									
Stroke capacity	000	41/70																																									
Pressure	000	mBar	<b>MAX. VACUUM</b>																																								
Weight	000	kg																																									
 <p><b>MAX.</b></p>	<table border="1"> <tr> <td colspan="2"><b>BECKER</b></td> <td rowspan="2"></td> <td rowspan="2"><b>CE</b></td> </tr> <tr> <td>Line</td> <td>AG02006</td> </tr> <tr> <td>Ref.</td> <td>A2329167</td> <td></td> <td></td> </tr> <tr> <td>Compressor / Vacuum pump</td> <td></td> <td></td> <td></td> </tr> <tr> <td>Spine</td> <td>000</td> <td></td> <td></td> </tr> <tr> <td>Frequency</td> <td>000</td> <td>50</td> <td></td> </tr> <tr> <td>Speed</td> <td>000</td> <td>1500*</td> <td></td> </tr> <tr> <td>Power input</td> <td>000</td> <td>140</td> <td></td> </tr> <tr> <td>Stroke capacity</td> <td>000</td> <td>41/70</td> <td></td> </tr> <tr> <td>Pressure</td> <td>000</td> <td>mBar</td> <td><b>MAX. V</b></td> </tr> <tr> <td>Weight</td> <td>000</td> <td>kg</td> <td></td> </tr> </table> <p>m<sup>3</sup>/h</p>	<b>BECKER</b>			<b>CE</b>	Line	AG02006	Ref.	A2329167			Compressor / Vacuum pump				Spine	000			Frequency	000	50		Speed	000	1500*		Power input	000	140		Stroke capacity	000	41/70		Pressure	000	mBar	<b>MAX. V</b>	Weight	000	kg	
<b>BECKER</b>			<b>CE</b>																																								
Line	AG02006																																										
Ref.	A2329167																																										
Compressor / Vacuum pump																																											
Spine	000																																										
Frequency	000	50																																									
Speed	000	1500*																																									
Power input	000	140																																									
Stroke capacity	000	41/70																																									
Pressure	000	mBar	<b>MAX. V</b>																																								
Weight	000	kg																																									
<p><b>L<sub>pA</sub></b> )))</p> <p>DIN EN ISO 11203 Accuracy Class 2 K<sub>pA</sub> = 3 dB(A) l ← 1m</p>	<p>L<sub>pA</sub> = 65 dB(A) - 50Hz L<sub>pA</sub> = 68 dB(A) - 60Hz</p>																																										

2



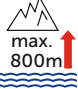
			
<input checked="" type="checkbox"/>	<input checked="" type="checkbox"/>	<input type="checkbox"/>	<input type="checkbox"/>

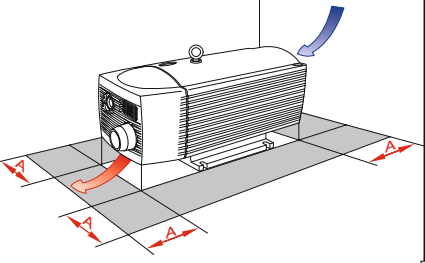





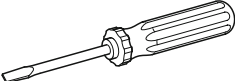
**36,5 kg**  
**80,5 lbs**

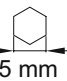
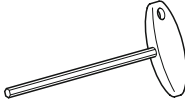
3


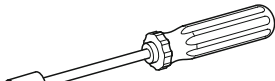
<p>A &gt; 100mm A &gt; 4"</p>	 <p>&gt; 5°C/41°F &lt; 45°C/113°F</p>	 <p>max. 90%</p>	 <p>max. 800m ↑</p>
-----------------------------------	--	---	---



4





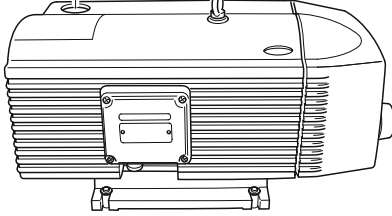
6 mm

5 mm


T 20

5





6

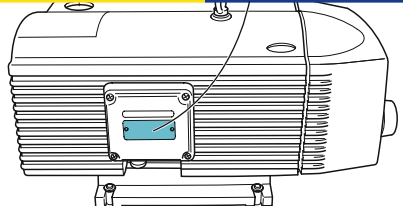


**MOTOR-PROTECTION** =

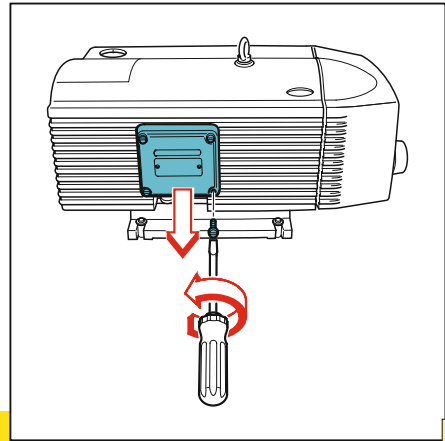
50Hz		60Hz	
XXX / 2000 V	XXX / 2000 V	XXX / 2000 V	XXX / 2000 V
002 / 002 A	002 / 002 A	002 / 002 A	002 / 002 A

**SERVICE FACTOR**  
**X**  
**RATED CURRENT**

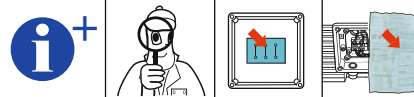
CF 1.300



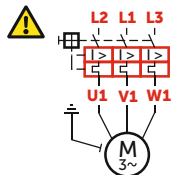
7



8

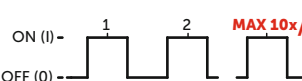


**3 ph**

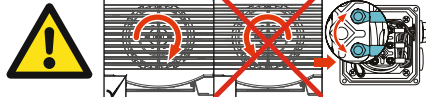


**ON (I) -** 1 2 **MAX 10x/h**

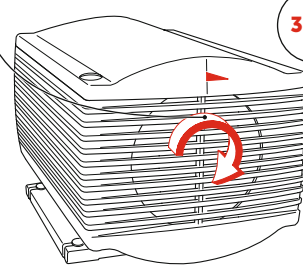
**OFF (0) -**



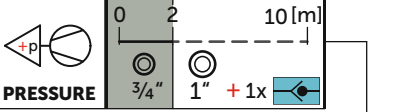
9



**3 ph**

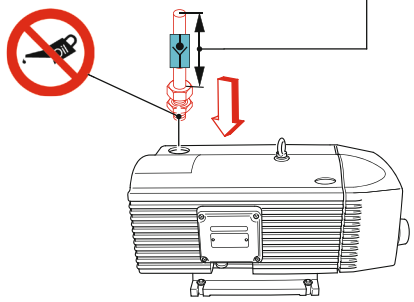


10



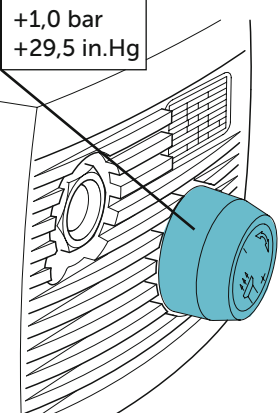
**0 2 10 [m]**

**3/4" 1" + 1x**



11

**MAX. +1,0 bar +29,5 in.Hg**



12

**Maintenance**



13

14

3x	A <input checked="" type="checkbox"/>	<b>6.2Nm</b>
2x	- <input type="checkbox"/>	<b>2Nm</b>

15

**CLEANING INTERVAL**

40h  
↑  
↓  
200h

EN149 - FFP3  
42 CFR 84 - N100

16

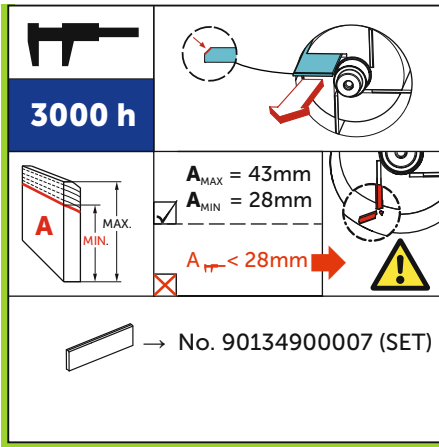
**F1:** D: 64 mm  
H: 70 mm  
No.: 90950500000

**F2:** D: 64 mm  
H: 60 mm  
No.: 90952900000

EN149 - FFP3  
42 CFR 84 - N100


17

18



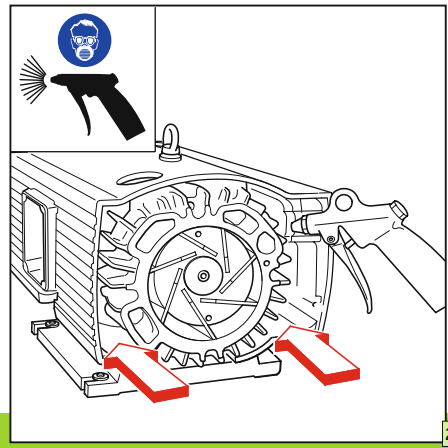
**3000 h**

$A_{MAX} = 43\text{mm}$   
 $A_{MIN} = 28\text{mm}$

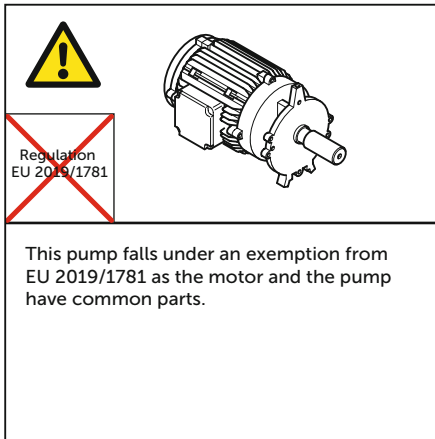
$A_{T-} < 28\text{mm}$  

→ No. 90134900007 (SET)

19



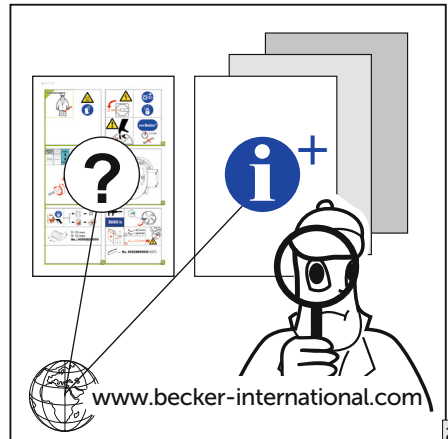
20



Regulation EU 2019/1781

This pump falls under an exemption from EU 2019/1781 as the motor and the pump have common parts.

21



[www.becker-international.com](http://www.becker-international.com)

22



[WWW.BECKER-INTERNATIONAL-SHOP.COM](http://WWW.BECKER-INTERNATIONAL-SHOP.COM)

Gebr. Becker GmbH  
 Hoelker Feld 29-31  
 42279 WUPPERTAL  
 GERMANY  
[info@becker-international.com](mailto:info@becker-international.com)  
[www.becker-international.com](http://www.becker-international.com)

 **BECKER**



**MAKE IT BECKER.**

28100027501 | 2021-07-08 | All rights reserved