


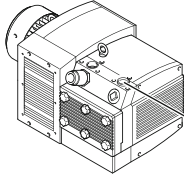







**BETRIEBSANLEITUNG
OPERATING INSTRUCTIONS
INSTRUCCIONES DE SERVICE
ISTRUZIONI D'USO
HANDLEIDING
INSTRUCCIONES PARA EL MANEJO
MANUAL DE INSTRUÇÕES
NAUDOJIMOSI INSTRUKCIJA
KASUTUSJUHEND
LIETOŠANAS INSTRUKCIJA
DRIFTSINSTRUKS
DRIFTSINSTRUKTIONER
DRIFTSVEJLEDNING
INSTRUKCJA OBSŁUGI**

**KEZELÉSI ÚTMUTATÓ
NÁVOD K OBSLUZE
NAVODILO ZA UPORABO
NÁVOD NA OBSLUHU
UPUTE ZA RAD
MANUAL DE OPERATII
TREORACHA OIBRIÚCHÁIN
ΟΔΗΓΙΕΣ ΧΡΗΣΗΣ
EL KITABI
ИНСТРУКЦИИ ЗА ЕКСПЛОАТАЦИЯ
ИНСТРУКЦИЯ ПО ЕКСПЛУАТАЦИИ
取扱説明書
사용설명서
使用说明书**


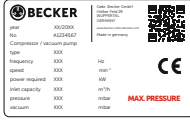

KDT 3.100

MAKE IT BECKER.





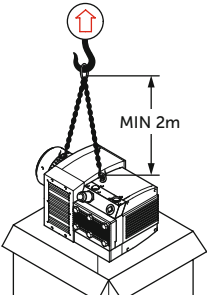


 		
		
 <p><input checked="" type="checkbox"/> AIR</p>		
		




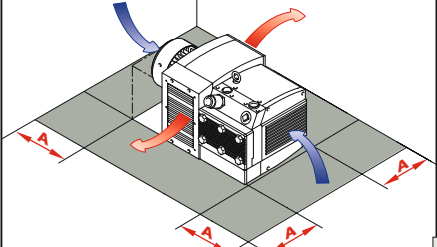
1

<p>MAX. PRESSURE</p>  <p>MAX.</p>		<p>mbar</p>
	<p>L_{pA})))</p> <p>DIN EN ISO 11203 Accuracy Class 2 $K_{sA} = 3 \text{ dB(A)}$ l ← 1m</p>	
<p>$L_{pA} = 76 \text{ dB(A)} - 50\text{Hz}$</p> <p>$L_{pA} = 78 \text{ dB(A)} - 60\text{Hz}$</p>		


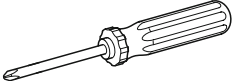

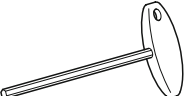

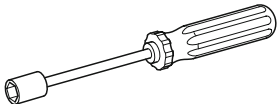
2

			 <p>107-129 kg 236-284 lbs</p>
 <p>MIN 2m</p>			

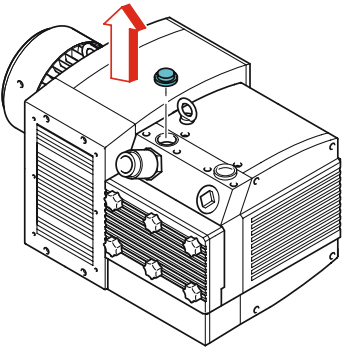
3

<p>$A > 100\text{mm}$ $A > 4"$</p>	 <p>$> 5^\circ\text{C}/41^\circ\text{F}$ $< 45^\circ\text{C}/113^\circ\text{F}$</p>	 <p>max. 90%</p>	 <p>max. 800m</p>
			

4

 <p>No. 2</p>	
 <p>5 mm</p>	
 <p>7 mm 10 mm</p>	

5



6

i

+

MOTOR-PROTECTION

=

(CF LXX)		SERVICE FACTOR X RATED CURRENT
50Hz	60Hz	
XXX / XXX V	XXX / XXX V	
XXX / XXX A	XXX / XXX A	

7

GENERAL

1) motor protection switch

ADDITIONAL $M \geq 5.5 \text{ kW}$

A

Softstart

B

OPTIONAL

MAX 10x/h

PTC Bi-metal

8

9

10

PRESSURE

0 2 10 [m]

1 1/2" 2" + 1x

11

i

+




BECKER

year: XXX/20XX
no.: A1234567
Compressor / vacuum pump
type: XXX
frequency: XXX Hz
speed: XXX rpm
power required: XXX kW
inlet capacity: XXX m³/h
pressure: XXX mbar
vacuum: XXX mbar


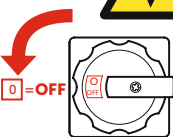




Cedar Becker GmbH
Industriepark 20
49193 STALDE
Germany
info@cedar-becker.com
cedar-becker.com

12

Maintenance






13









n=0min⁻¹

2-3 Min



14




CLEANING INTERVAL

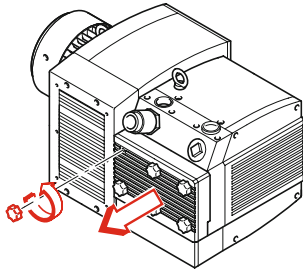
SUCTION AIR

40h

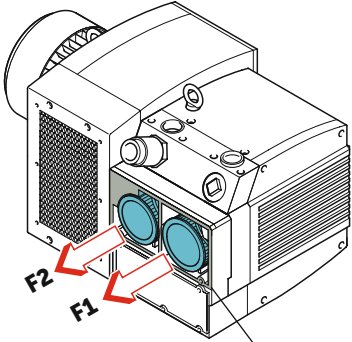
200h



EN149 - FFP3
42 CFR 84 - N100

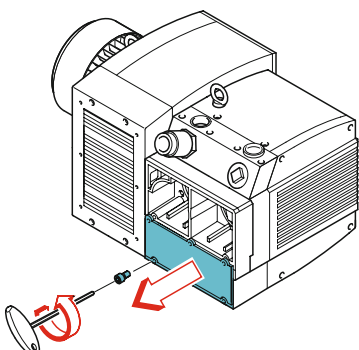


15

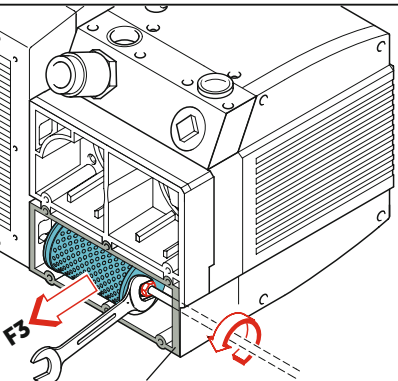


D2 (Pos. 75)

16



17

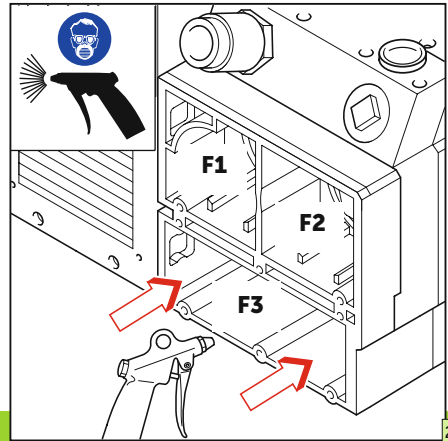


D3 (Pos. 104)

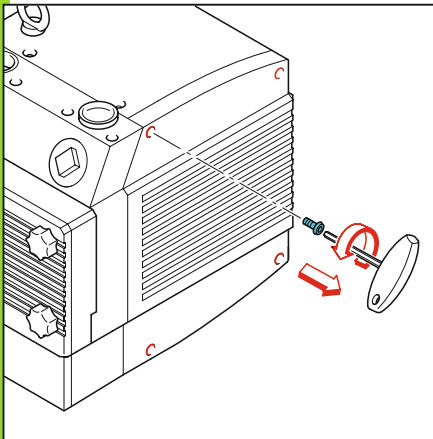
18

F1 = F2 (standard)	F2* (polyester) KDT 3.100/6	F3 (standard)
No.: 909507	No.: 909587	No.: 909514
	Satz / Kit Pos.: 17, 20, 24, 62, 75, 76, 85, 86, 104, 122, 125, 126, 146 No.: 549000 21300	

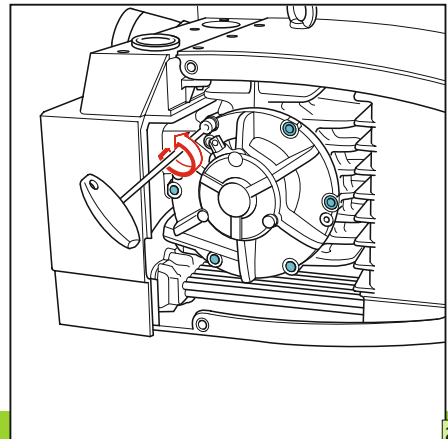
19



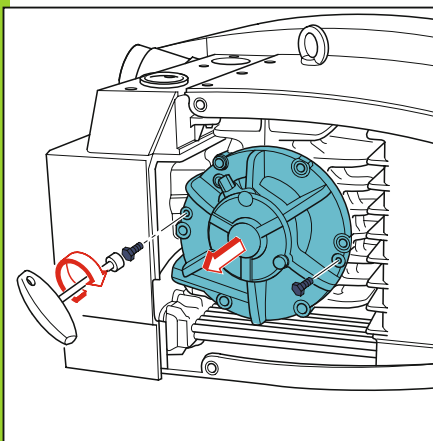
20



21



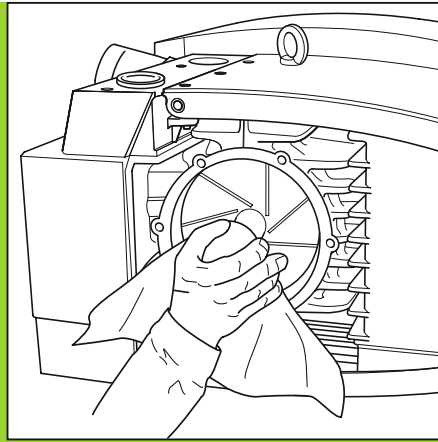
22



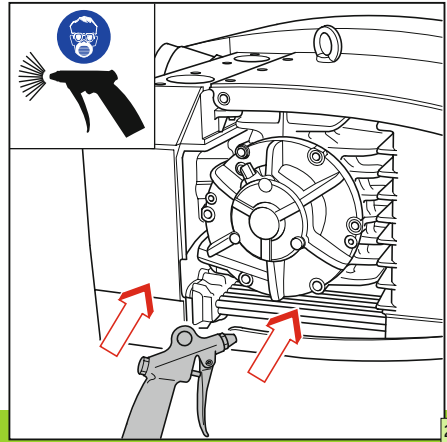
23

3000 h	
	$A_{MAX} = 39\text{mm}$ $A_{MIN} = 26\text{mm}$ $A_{fan} < 26\text{mm}$
KDT 3.100 (standard) → No. 90133300004 (SET) KDT 3.100/0-52 → No. 90138000004 (SET) KDT 3.100/6-54 → " " " KDT 3.100/6-29 → No. 90138000007 (SET) KDT 3.100/6-71 → " " " KDT 3.100/6-71 HD → No. 90140000007 (SET)	

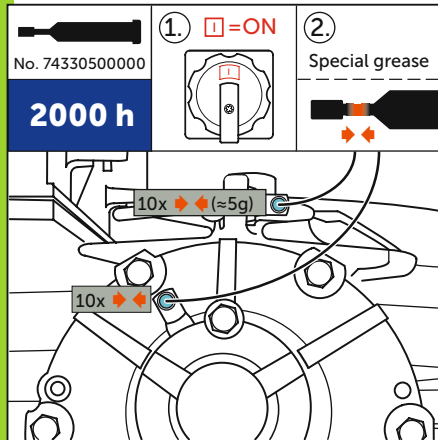
24



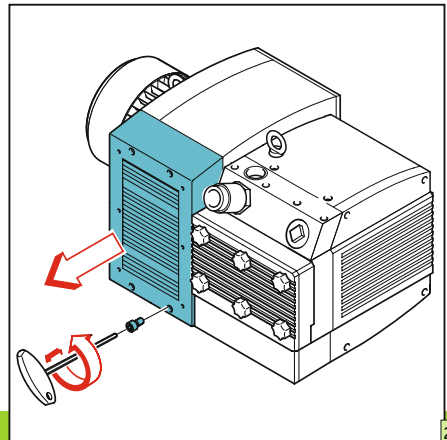
25



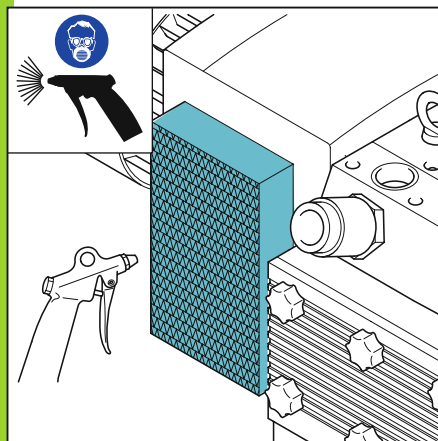
26



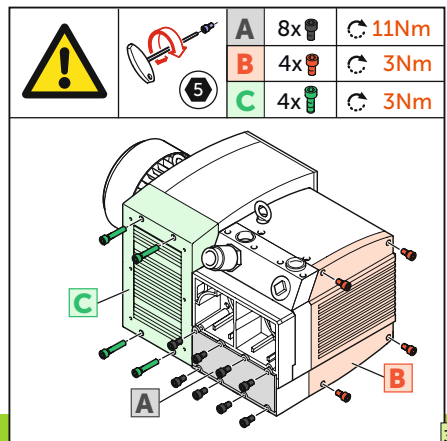
27



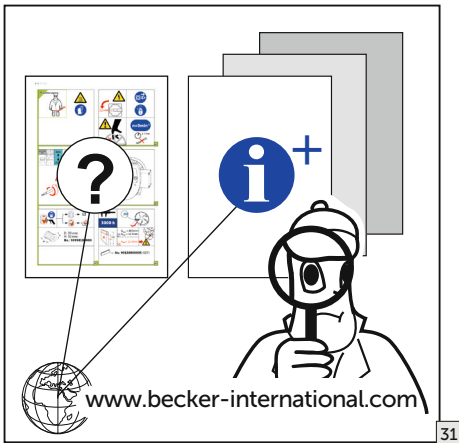
28



29



30



WWW.BECKER-INTERNATIONAL-SHOP.COM

Gebr. Becker GmbH
Hoelker Feld 29-31
42279 WUPPERTAL
GERMANY
info@becker-international.com
www.becker-international.com





MAKE IT BECKER.

2810.0021201 | 2021-12-14 | All rights reserved