



Authorized Dealer
1.800.229.0009
sales@updateltd.com
www.updateltd.com

DATA SHEET

KDT 3.60

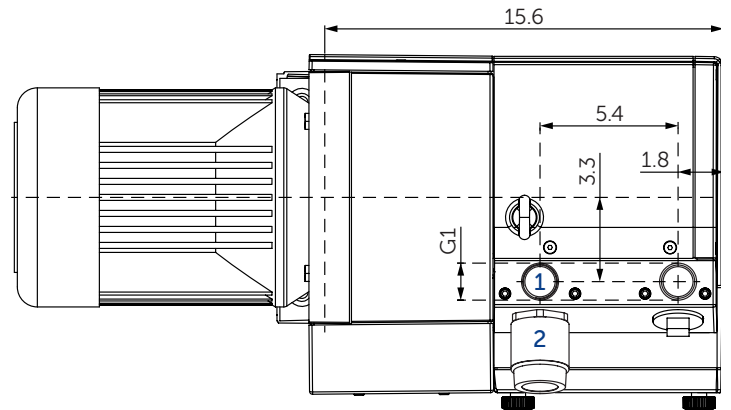
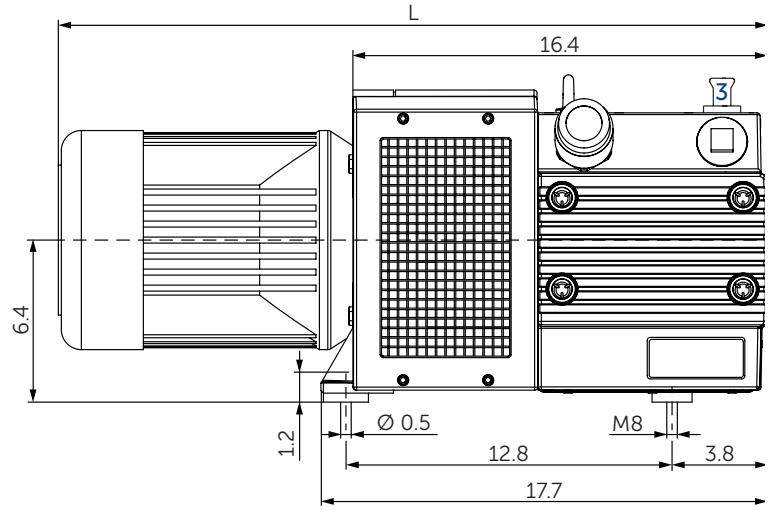
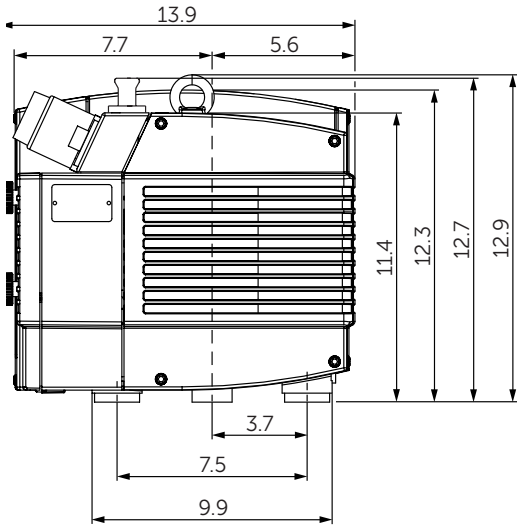
ROTARY VANE COMPRESSORS

oil-free

air-cooled

MAKE IT BECKER.





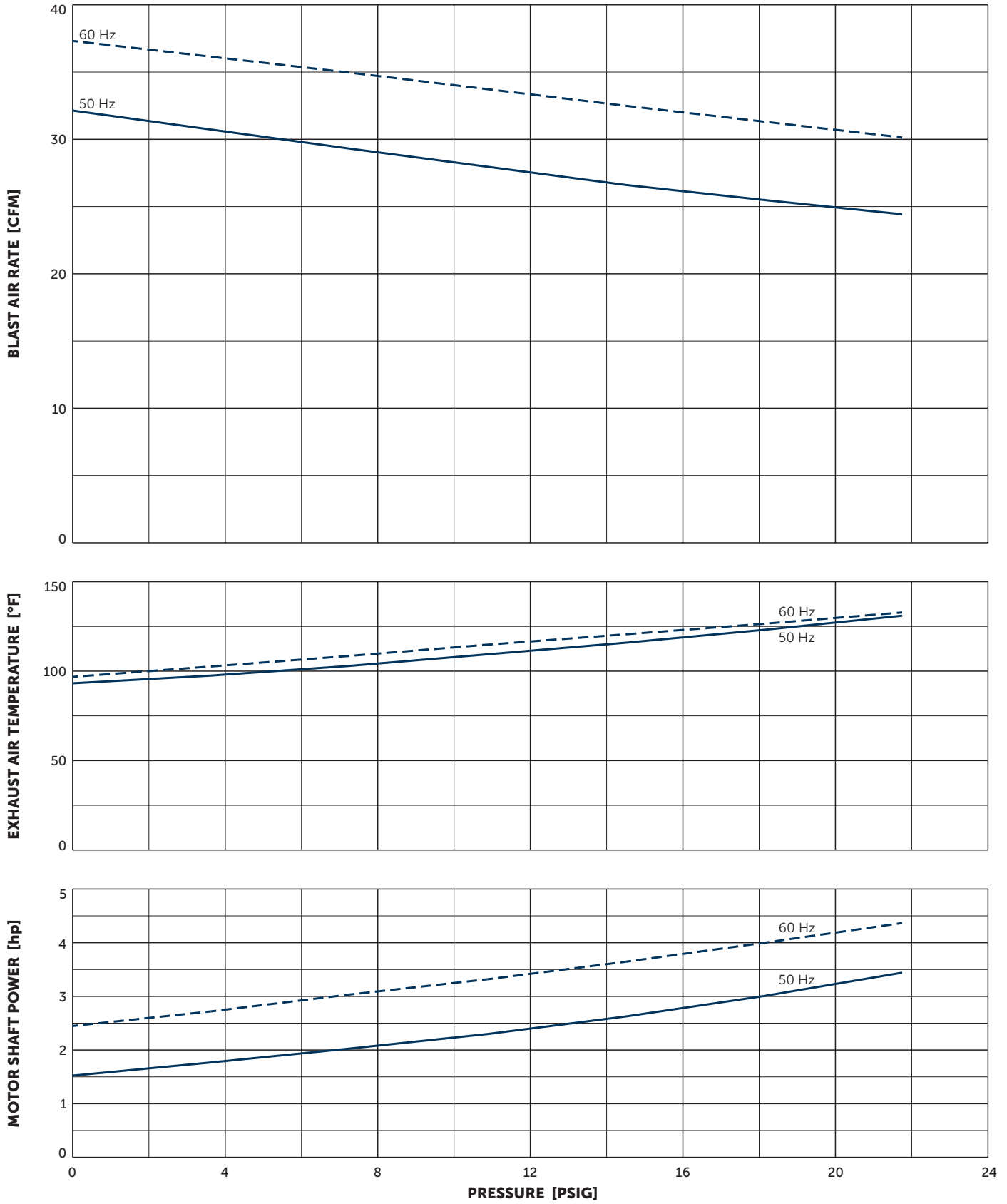
- 1 Pressure connection (G1)
- 2 Pressure regulating valve
- 3 Air nozzle
- Including integrated suction air filter
- The motor illustration may vary.
- Dimensions in inch

Blast air rate		Pressure		Motors		Emission sound pressure level ¹⁾		Weight without motor
CFM		PSIG		hp		dB(A)		lbs
50 Hz	60 Hz	50 Hz	60 Hz	50 Hz	60 Hz	50 Hz	60 Hz	
32	37	7.25	7.25	3.0	3.5	71	73	104
32	37	14.5	14.5	3.0	3.5	72	74	104
32	37	21.75	21.75	4.0	4.8 (5.0)	72	74	104

¹⁾ According to DIN EN ISO 3744 (KpA = 3 dB(A)), 39.4 inch distance, at medium load, both connection sides piped

3~ Motors ¹⁾												L	
#	50 Hz				60 Hz				Version	Weight lbs	inch		
	hp	V	rpm	A	hp	V	rpm	A					
01	3.0	Δ230/Y400	IE3	1440	8.2/4.8	3.5	Δ265/Y460 Δ230/Y400	IE3	1735 1705	8.2/4.8 9.0/5.2	IP55 • ISO F • bimetal	54.0	27.7
02						3.5	YY230/Y460 YY208	IE3	1765 1755	9.3/4.6 9.7	UL(E365362) • CSA CC334B IP55 • ISO F • bimetal	81.6	29.4
03	3.0	Δ200/Y350	IE3	1470	10.4/6.0	3.5	Δ220/Y380-400 Δ200/Y350	IE3	1760 1755	10.0/5.8–5.8 10.2/5.9	UL(E365362) • CSA CC334B IP55 • ISO F • bimetal	81.6	29.4
04						3.5	Δ400/Y690	IE3	1760	5.3/3.1	UL(E365362) • CSA CC334B IP55 • ISO F • bimetal	81.6	29.4
05	4.0	Δ230/Y400	IE3	1445	12.1/7.0	4.8	Δ265/Y460 Δ230/Y400	IE3	1735 1705	12.0/6.9 12.7/7.4	IP55 • ISO F • bimetal	63.9	28.9
06	4.0	Δ230/Y400	IE3	1460	12.3/7.1	4.8	Δ265/Y460 Δ230/Y400	IE3	1755 1745	12.0/6.9 12.3/7.1	UL(E365362) • CSA CC334B IP55 • ISO F • bimetal	81.6	29.4
07						4.8	YY230/Y460 YY208	IE3	1755 1735	12.7/6.3 13.5	UL(E365362) • CSA CC334B IP55 • ISO F • bimetal	81.6	29.4
08	4.0	Δ200/Y350		1465	14.2/8.2	4.8	Δ220/Y380-400 Δ200/Y350	IE3	1755 1745	13.5/7.8–7.5 13.8/8.0	UL(E365362) • CSA CC334B IP55 • ISO F • bimetal	81.6	29.4
09						4.8	Δ400/Y690	IE3	1760	7.6/4.4	UL(E365362) • CSA CC334B IP55 • ISO F • bimetal	81.6	29.4
10						5.0	YY230/Y460 YY208	IE3	1800 1730	12.8/6.4 14.2	UL • CSA • NEMA • ISO F	95.0	28.5

• Current consumption and rotation speed may vary. Tolerance in each case -1.5/+2%



Reference data (atmosphere): 0 PSIG, 68°F; Tolerance: ±5%

+ VARIANTS AND ACCESSORIES

- **KDT 3.60/0-52** for short-time operation with +2.0 bar¹⁾
- Increased corrosion protection
- External suction filter¹⁾
- Sound proof box SH 13¹⁾



Example for an external suction filter



Sound proof box SH 13



MAKE IT BECKER.