


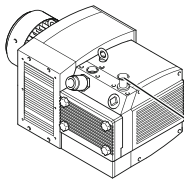







**BETRIEBSANLEITUNG
OPERATING INSTRUCTIONS
INSTRUCTIONS DE SERVICE
ISTRUZIONI D'USO
HANDLEIDING
INSTRUCCIONES PARA EL MANEJO
MANUAL DE INSTRUÇÕES
NAUDOJIMOSI INSTRUKCIJA
KASUTUSJUHEND
LIETOŠANAS INSTRUKCIJA
DRIFTSINSTRUKS
DRIFTSINSTRUKTIONER
DRIFTSVEJLEDNING
INSTRUKCJA OBSŁUGI**

**KEZELÉSI ÚTMUTATÓ
NÁVOD K OBSLUZE
NAVODILO ZA UPORABO
NÁVOD NA OBSLUHU
UPUTE ZA RAD
MANUAL DE OPERATII
TREORACHA OIBRIÚCHÁIN
ΟΔΗΓΙΕΣ ΧΡΗΣΗΣ
EL KITABI
ИНСТРУКЦИИ ЗА ЕКСПЛОАТАЦИЯ
ИНСТРУКЦИЯ ПО ЕКСПЛОАТАЦИИ
取扱説明書
사용설명서
使用说明书**



KDT 3.60

MAKE IT BECKER.


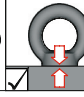


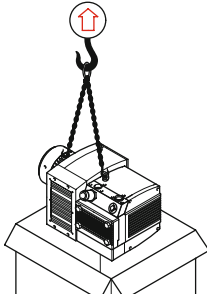


 		
		
 <p><input checked="" type="checkbox"/> AIR</p>		
		



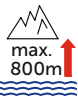
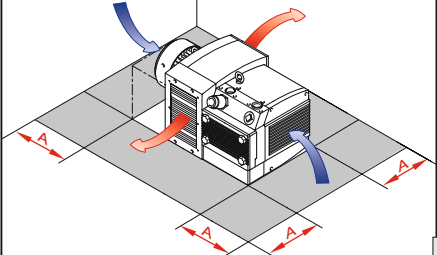
1

<p>MAX. PRESSURE →</p>		<p>mbar</p>
	 <p>MAX. →</p>	
<p>DIN EN ISO 11203 Accuracy Class 2 K_{pA} = 3 dB(A) l ← 1m</p>		<p>L_{pA} = 72 dB(A) - 50Hz L_{pA} = 74 dB(A) - 60Hz</p>


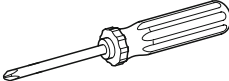



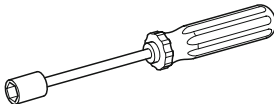
2

			 <p>71-80 kg 156-176 lbs</p>
			


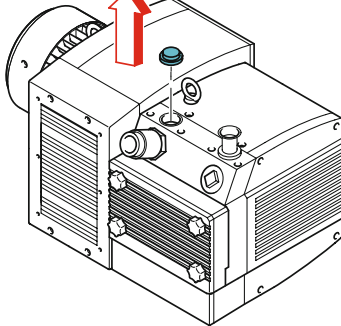
3

<p>A > 100mm A > 4"</p>	 <p>> 5°C/41°F < 45°C/113°F</p>	 <p>max. 90%</p>	 <p>max. 800m ↑</p>
			

4

 <p>No. 2</p>	
 <p>5 mm</p>	
 <p>7 mm 10 mm</p>	

5

	
-------------------------------------------------------------------------------------	-------------------------------------------------------------------------------------

6

i+

MOTOR-PROTECTION

=

(CF 1.3X)	
50Hz	60Hz
XXX / XXX Y	XXX / XXX Y
(XX / XX X)	(XX / XX X)

SERVICE FACTOR X RATED CURRENT

7

optional

Bi-metal

PTC

¹⁾ motor protection switch

8

9

10

PRESSURE

11

i+

BECKER year

D-42719 Wuppertal No

www.becker-international.com

type Hz

frequency min⁻¹

speed kW

power required m³/h

inlet capacity mbar

max. pressure

Made in Germany

12

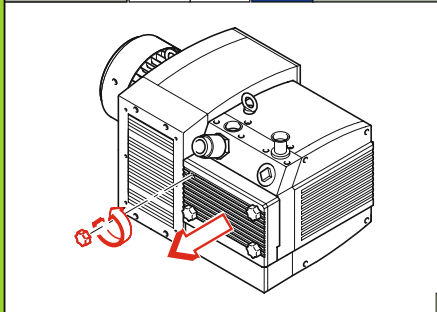
Maintenance



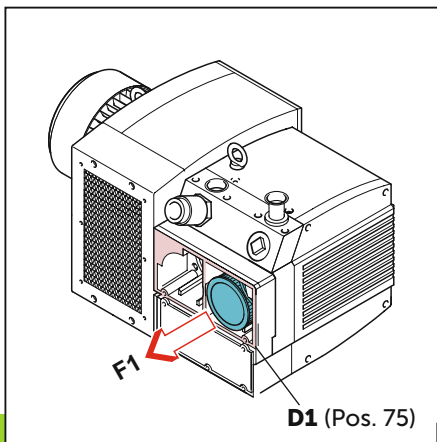
13

14

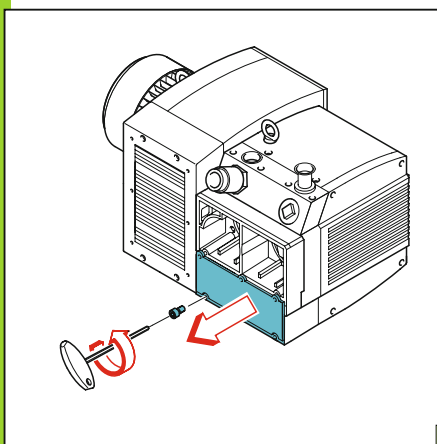
<p>CLEANING INTERVAL</p>	<p>SUCTION AIR</p>	<p>40h</p> <p>↑ ↓</p> <p>200h</p>	<p>EN149 - FFP3 42 CFR 84 - N100</p>
---------------------------------	--------------------	-----------------------------------	------------------------------------------



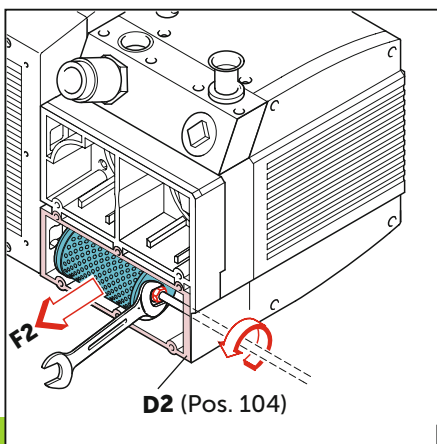
15



16



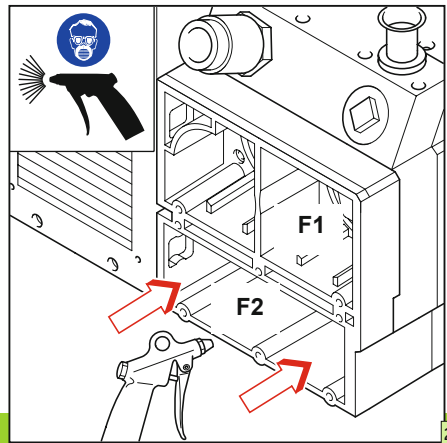
17



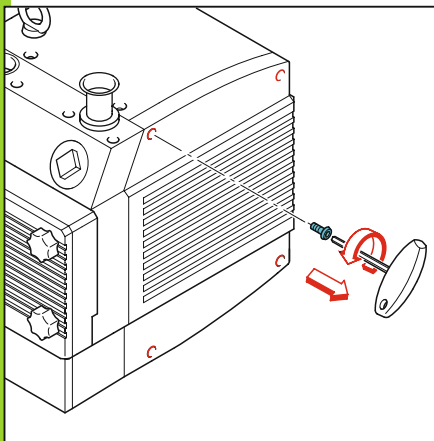
18

F1 (standard)	F1* (polyester) KDT 3.60/6	F2 (standard)
No.: 909507	No.: 909587	No.: 909510
	Satz / Kit Pos.: 20, 24, 62, 75, 76, 85, 104, 125, 126, 146, 288 No.: 549000 21100	

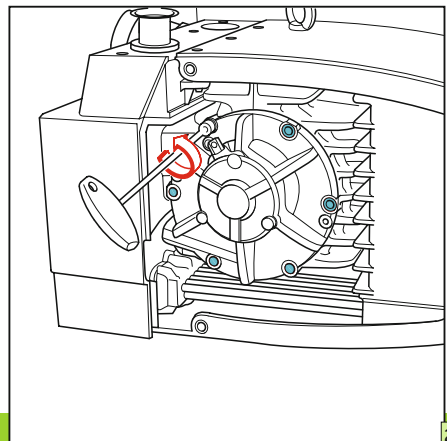
19



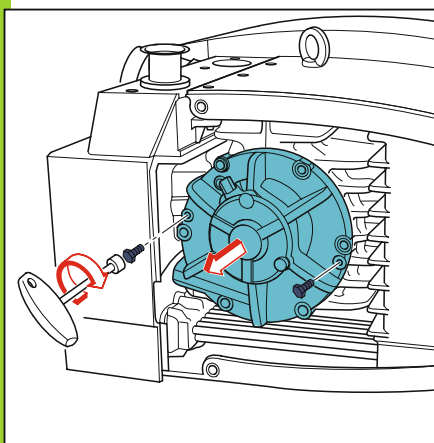
20



21



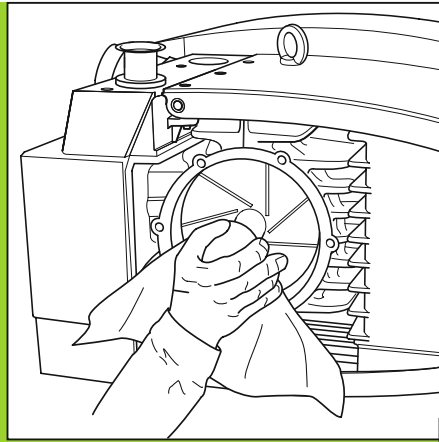
22



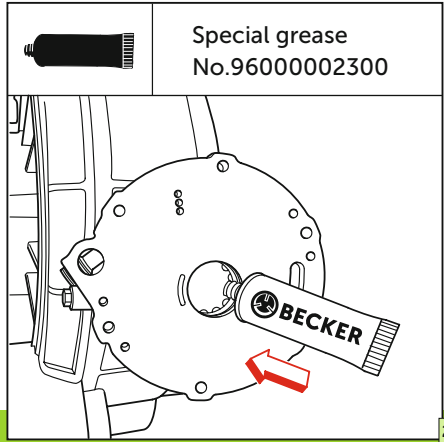
23

3000 h	
	$A_{MAX} = 39mm$ $A_{MIN} = 21mm$
	$A_{MIN} < 21mm$
KDT 3.60 (standard) → No. 90133000004 (SET) KDT 3.60/0-52 → No. 90137900004 (SET) KDT 3.60/6 → No. 90137900004 (SET) KDT 3.60/6-29 → No. 90137900007 (SET)	

24

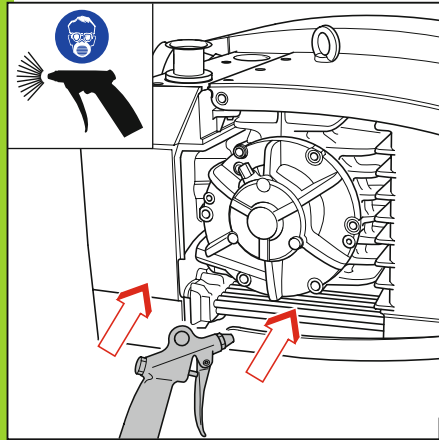


25

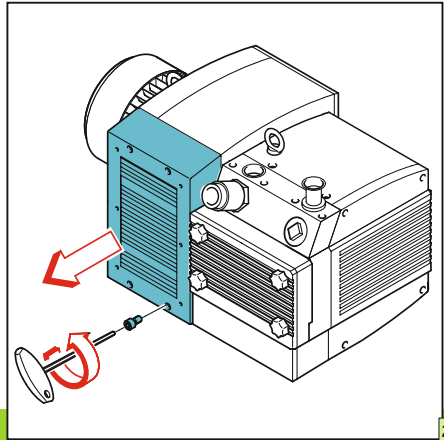


Special grease
No.9600002300

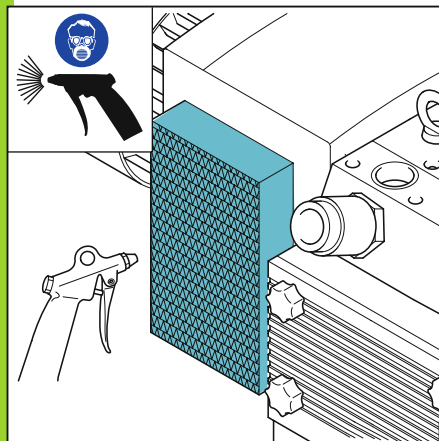
26



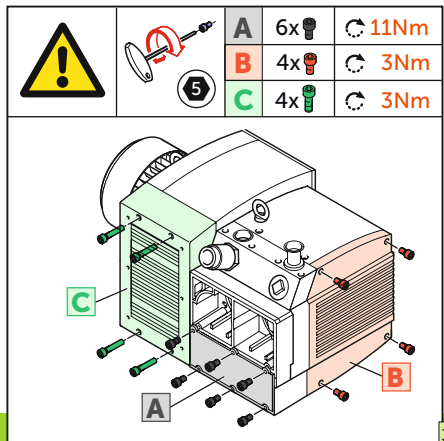
27



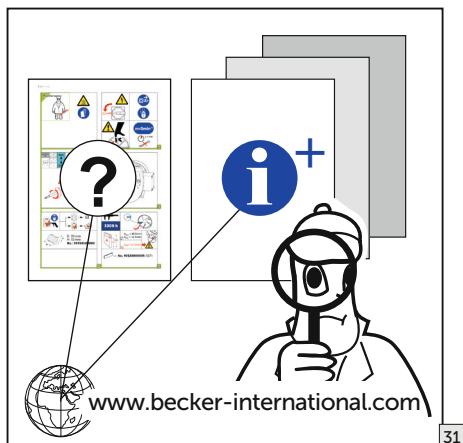
28



29



30



WWW.BECKER-INTERNATIONAL-SHOP.COM

Gebr. Becker GmbH
Hoelker Feld 29-31
42279 WUPPERTAL
GERMANY
info@becker-international.com
www.becker-international.com





MAKE IT BECKER.

28100021601 | 2020-08-18 | All rights reserved