



Authorized Dealer  
1.800.229.0009  
sales@updateltd.com  
www.updateltd.com

DATA SHEET

**KDT 3.80**

# ROTARY VANE COMPRESSORS

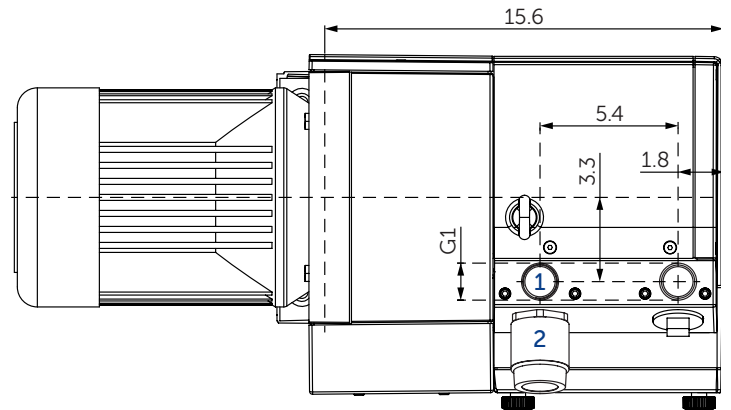
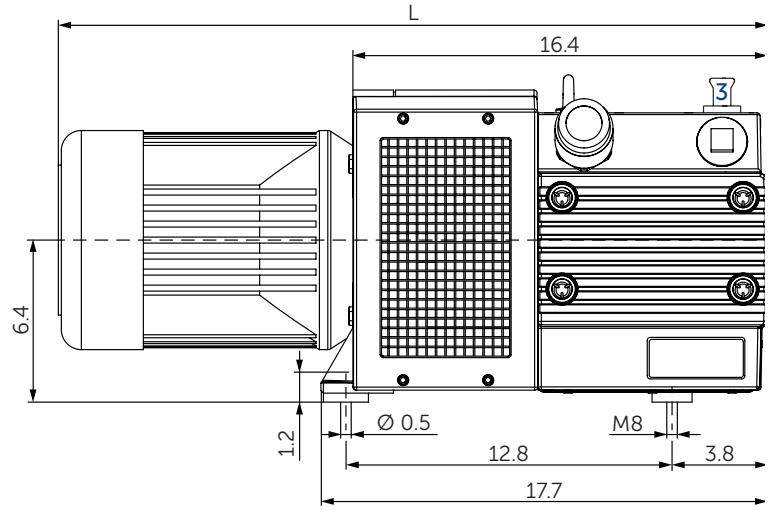
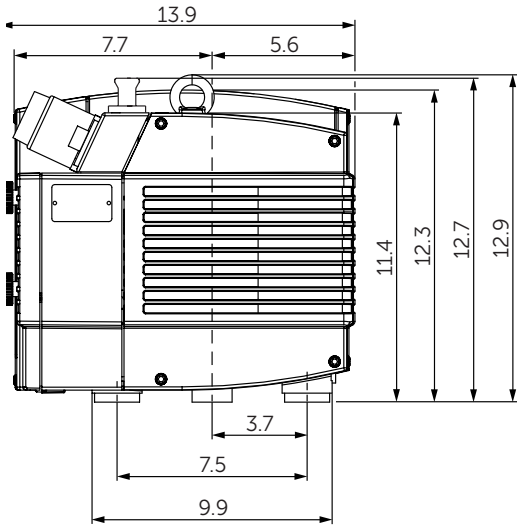
oil-free

air-cooled

---

**MAKE IT BECKER.**





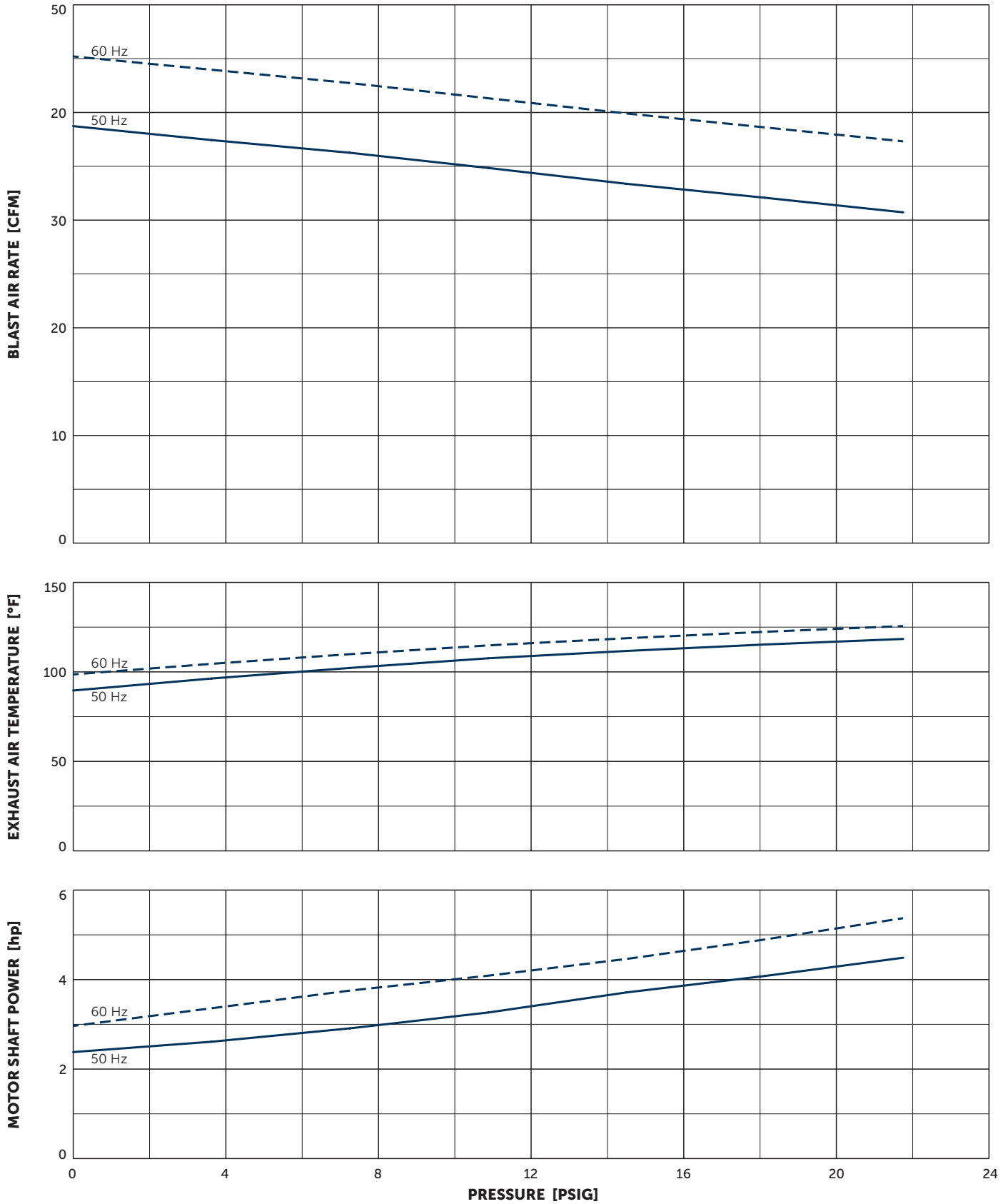
- 1 Pressure connection (G1)
- 2 Pressure regulating valve
- 3 Air nozzle
- Including integrated suction air filter
- The motor illustration may vary.
- Dimensions in inch

Blast air rate		Pressure		Motors		Emission sound pressure level <sup>1)</sup>		Weight without motor
CFM		PSIG		hp		dB(A)		lbs
50 Hz	60 Hz	50 Hz	60 Hz	50 Hz	60 Hz	50 Hz	60 Hz	
39	45	7.25	7.25	3.0	3.5	73	75	108
39	45	14.5	14.5	4.0	4.8	74	76	108
39	45	21.75	21.75	5.4	6.4 (7.5)	74	76	108

<sup>1)</sup> According to DIN EN ISO 3744 (KpA = 3 dB(A)), 39.4 inch distance, at medium load, both connection sides piped

3~ Motors <sup>1)</sup>												L	
#	50 Hz					60 Hz				Version	Weight lbs	inch	
	hp	V	rpm	A	hp	V	rpm	A					
01	3.0	Δ230/Y400	IE3	1440	8.2/4.8	3.5	Δ265/Y460 Δ230/Y400	IE3	1735 1705	8.2/4.8 9.0/5.2	IP55 • ISO F • bimetal	54.0	27.7
02						3.5	YY230/Y460 YY208	IE3	1765 1755	9.3/4.6 9.7	UL(E365362) • CSA CC334B IP55 • ISO F • bimetal	81.6	29.4
03	3.0	Δ200/Y350	IE3	1470	10.4/6.0	3.5	Δ220/Y380-400 Δ200/Y350	IE3	1760 1755	10.0/5.8-5.8 10.2/5.9	UL(E365362) • CSA CC334B IP55 • ISO F • bimetal	81.6	29.4
04						3.5	Δ400/Y690	IE3	1760	5.3/3.1	UL(E365362) • CSA CC334B IP55 • ISO F • bimetal	81.6	29.4
05	4.0	Δ230/Y400	IE3	1445	12.1/7.0	4.8	Δ265/Y460 Δ230/Y400	IE3	1735 1705	12.0/6.9 12.7/7.4	IP55 • ISO F • bimetal	63.9	28.9
06	4.0	Δ230/Y400	IE3	1460	12.3/7.1	4.8	Δ265/Y460 Δ230/Y400	IE3	1755 1745	12.0/6.9 12.3/7.1	UL(E365362) • CSA CC334B IP55 • ISO F • bimetal	81.6	29.4
07						4.8	YY230/Y460 YY208	IE3	1755 1735	12.7/6.3 13.5	UL(E365362) • CSA CC334B IP55 • ISO F • bimetal	81.6	29.4
08	4.0	Δ200/Y350		1465	14.2/8.2	4.8	Δ220/Y380-400 Δ200/Y350	IE3	1755 1745	13.5/7.8-7.5 13.8/8.0	UL(E365362) • CSA CC334B IP55 • ISO F • bimetal	81.6	29.4
09						4.8	Δ400/Y690	IE3	1760	7.6/4.4	UL(E365362) • CSA CC334B IP55 • ISO F • bimetal	81.6	29.4
10	5.4	Δ230/Y400	IE3	1445	15.5/8.9	6.4	Δ265/Y460 Δ230/Y400		1745 1720	14.9/8.6 15.9/9.2	IP55 • ISO F • bimetal	75.0	28.6
11	5.4	Δ200/Y400	IE3	1465	18.0/9.0	6.0	YY230/Y460 YY208	IE3 IE3	1759 1753	18.4/9.2 18.7	UL(E235514) • CSA CC329B IP55 • ISO F • bimetal	88.2	29.9
12	5.4	Δ200/Y350	IE3	1467	20.3/11.7	6.0	Δ220/Y380-400 Δ200/Y350	IE3	1760 1753	18.5/10.7-10.2 19.0/11.0	UL(E235514) • CSA CC329B IP55 • ISO F • bimetal	88.2	29.9
13						6.0	Δ400/Y690	IE3	1763	9.8/5.65	UL(E235514) • CSA CC329B IP55 • ISO F • bimetal	88.2	29.9
14						6.4	Δ400/Y690	IE3	1775	10.75/6.2	UL(E365362) • CSA IP55 • ISO F • bimetal	142.2	34.0
15						7.5	YY230/Y460 YY208	IE3	1800 1750	18.9/9.45 20.9	UL • CSA • NEMA • ISO F	180.0	32.0

• Current consumption and rotation speed may vary. Tolerance in each case -1.5/+2%



Reference data (atmosphere): 0 PSIG, 68°F; Tolerance: ±5%

## + VARIANTS AND ACCESSORIES

- **KDT 3.80/0-52** for short-time operation with +2.0 bar<sup>1)</sup>
- **VARIAIR KDT 3.80/0-400** with frequency inverter<sup>1)</sup>
- Increased corrosion protection
- External suction filter<sup>1)</sup>
- Sound proof box SH 13<sup>1)</sup>



VARIAIR KDT 3.80/0-400



Example for an external suction filter



Sound proof box SH 13



**MAKE IT BECKER.**