


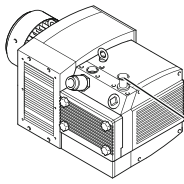







BETRIEBSANLEITUNG  
OPERATING INSTRUCTIONS  
INSTRUCTIONS DE SERVICE  
ISTRUZIONI D'USO  
HANDLEIDING  
INSTRUCCIONES PARA EL MANEJO  
MANUAL DE INSTRUÇÕES  
NAUDOJIMOSI INSTRUKCIJA  
KASUTUSJUHEND  
LIETOŠANAS INSTRUKCIJA  
DRIFTSINSTRUKS  
DRIFTSINSTRUKTIONER  
DRIFTSVEJLEDNING  
INSTRUKCJA OBSŁUGI

KEZELÉSI ÚTMUTATÓ  
NÁVOD K OBSLUZE  
NAVODILO ZA UPORABO  
NÁVOD NA OBSLUHU  
UPUTE ZA RAD  
MANUAL DE OPERATII  
TREORACHA OIBRIÚCHÁIN  
ΟΔΗΓΙΕΣ ΧΡΗΣΗΣ  
EL KITABI  
ИНСТРУКЦИИ ЗА ЕКСПЛОАТАЦИЯ  
ИНСТРУКЦИЯ ПО ЕКСПЛОАТАЦИИ  
取扱説明書  
사용설명서  
使用说明书




## KDT 3.80


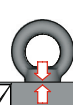


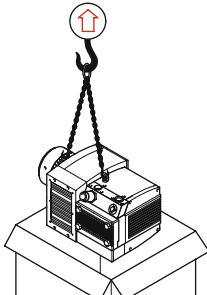
**MAKE IT BECKER.**





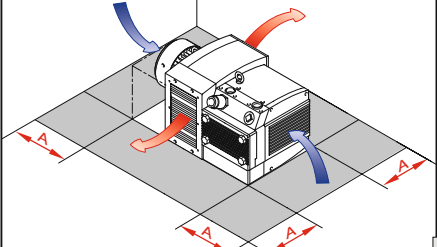
 		
		
 <p><input checked="" type="checkbox"/> AIR</p>		
		

1


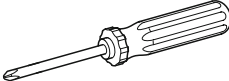



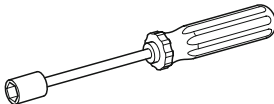
<p><b>MAX. PRESSURE</b></p>  <p><b>MAX.</b></p>		<p>mbar</p>
		<p>m<sup>3</sup>/h</p>
<p><b>L<sub>pA</sub></b> )))</p> <p>DIN EN ISO 11203 Accuracy Class 2 K<sub>son</sub> = 3 dB(A) l ← 1m</p>	<p>L<sub>pA</sub> = 74 dB(A) - 50Hz L<sub>pA</sub> = 76 dB(A) - 60Hz</p>	<p>2</p>

			 <p>73-85 kg 161-187 lbs</p>
			

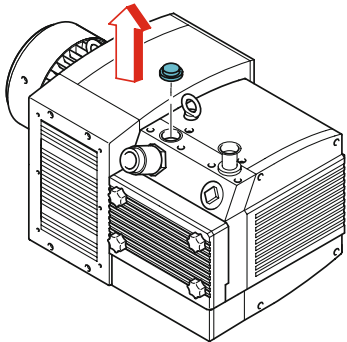
3

<p>A &gt; 100mm A &gt; 4"</p>	<p>&gt; 5°C/41°F &lt; 45°C/113°F</p>	 <p>max. 90%</p>	 <p>max. 800m</p>
			

4

 <p>No. 2</p>	
 <p>5 mm</p>	
 <p>7 mm 10 mm</p>	

5



6

**MOTOR-PROTECTION =**

(CF LXX)		<b>SERVICE FACTOR</b>
50Hz	60Hz	
XXX / XXX V	XXX / XXX V	<b>X</b>
XXX / XXX A	XXX / XXX A	

**RATED CURRENT**

7

**optional**

Bi-metal

PTC

<sup>1)</sup> motor protection switch

8

9

10

0    2    10 [m]

**PRESSURE**

1"

1 1/2" + 1x

11

**BECKER**

year: XXX/20XX

no.: A1234567

Compressor / vacuum pump

type: XXX

frequency: XXX Hz

speed: XXX rpm

power required: XXX kW

inlet capacity: XXX m<sup>3</sup>/h

pressure: XXX mbar

vacuum: XXX mbar

CE

12

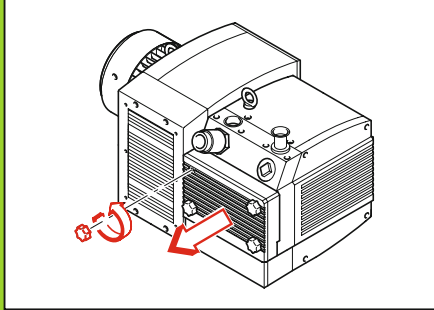
Maintenance



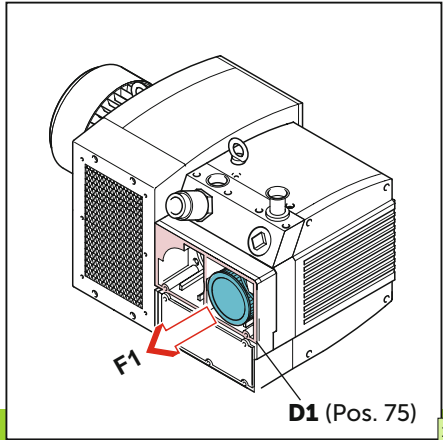
13


14

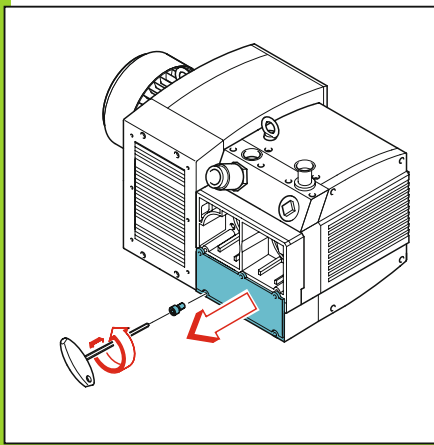
 <b>CLEANING INTERVAL</b>	<p>SUCTION AIR</p>	<p>40h</p> <p>↑ ↓</p> <p>200h</p>	 EN149 - FFP3 42 CFR 84 - N100
------------------------------	--------------------	-----------------------------------	--------------------------------------



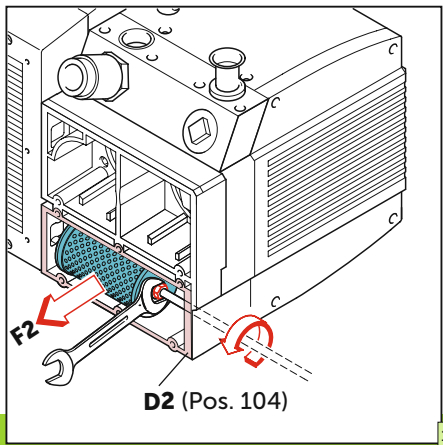
15



16



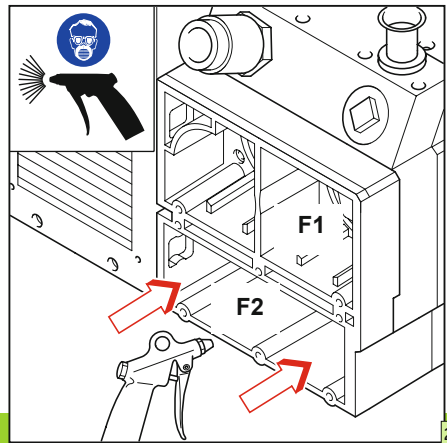
17



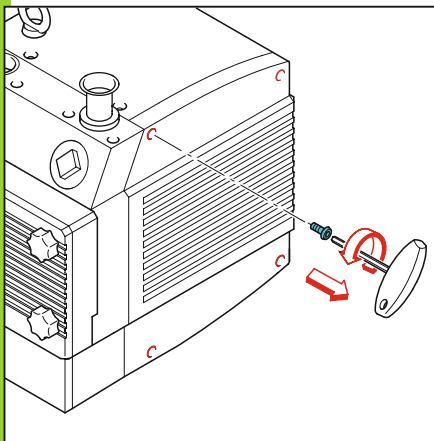
18

<b>F1</b> (standard)  No.: 909507	<b>F1*</b> (polyester) KDT 3.80/6  No.: 909587	<b>F2</b> (standard)  No.: 909510
	Satz / Kit Pos.: 20, 24, 62, 75, 76, 85, 104, 125, 126, 146, 288 No.: 549000 21100	

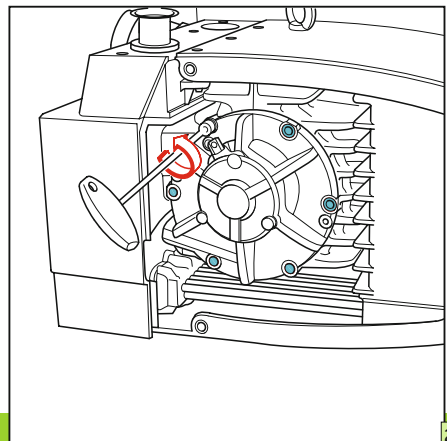
19



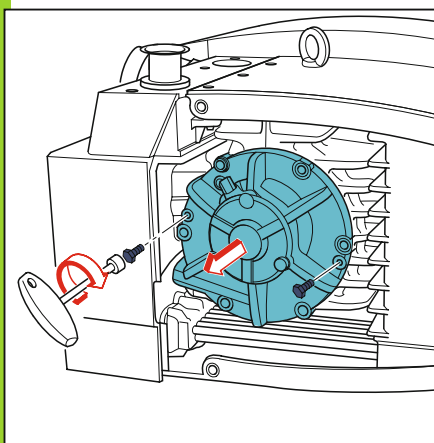
20



21



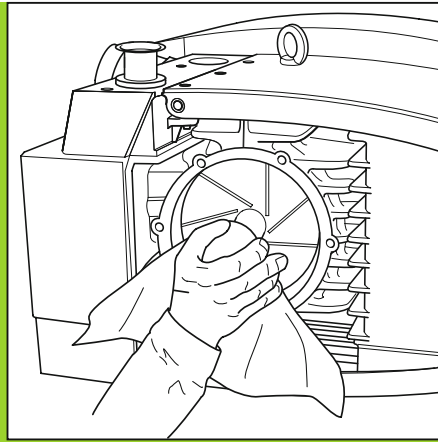
22



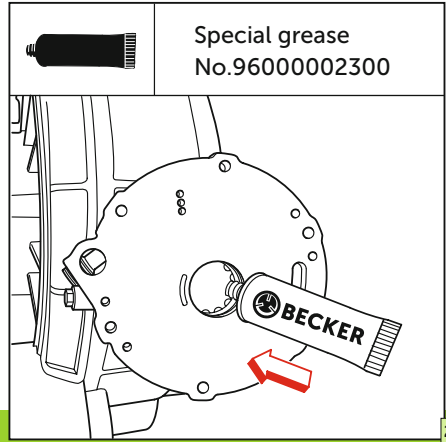
23

<b>3000 h</b>	
	$A_{MAX} = 38mm$ $A_{MIN} = 26mm$ $A_{FIL} < 26mm$
KDT 3.80 (standard) → No. 90133000004 (SET) KDT 3.80/0-52 → No. 90137900004 (SET) KDT 3.80/6 → No. 90137900004 (SET)	

24

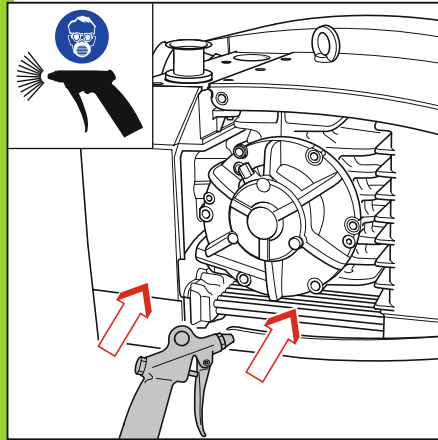


25

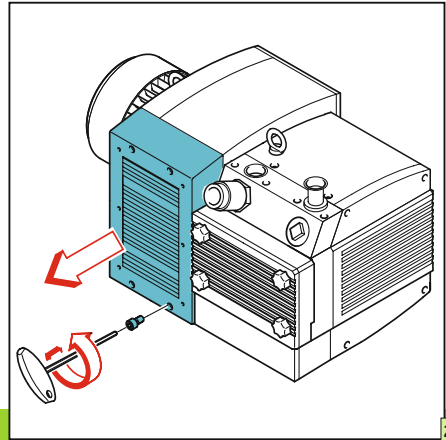


Special grease  
No.9600002300

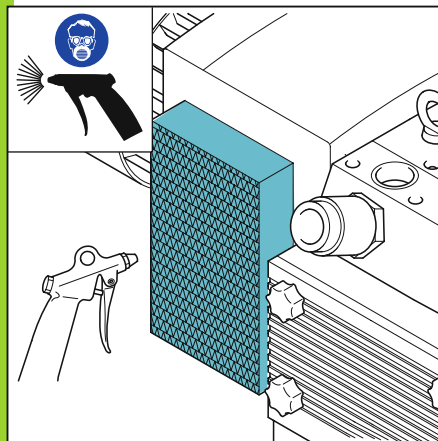
26



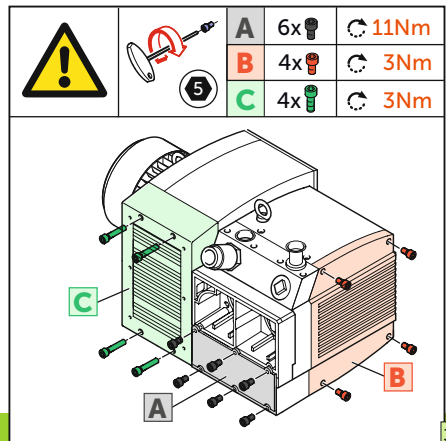
27



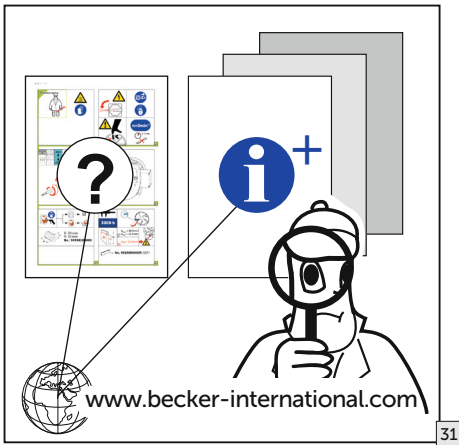
28



29



30



[WWW.BECKER-INTERNATIONAL-SHOP.COM](http://WWW.BECKER-INTERNATIONAL-SHOP.COM)

Gebr. Becker GmbH  
Hoelker Feld 29-31  
42279 WUPPERTAL  
GERMANY  
[info@becker-international.com](mailto:info@becker-international.com)  
[www.becker-international.com](http://www.becker-international.com)





**MAKE IT BECKER.**