


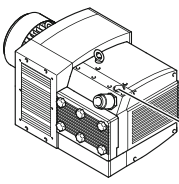







**BETRIEBSANLEITUNG
OPERATING INSTRUCTIONS
INSTRUCCIONES DE SERVICE
ISTRUZIONI D'USO
HANDLEIDING
INSTRUCCIONES PARA EL MANEJO
MANUAL DE INSTRUÇÕES
NAUDOJIMOSI INSTRUKCIJA
KASUTUSJUHEND
LIETOŠANAS INSTRUKCIJA
DRIFTSINSTRUKS
DRIFTSINSTRUKTIONER
DRIFTSVEJLEDNING
INSTRUKCJA OBSŁUGI**

**KEZELÉSI ÚTMUTATÓ
NÁVOD K OBSLUZE
NAVODILO ZA UPORABO
NÁVOD NA OBSLUHU
UPUTE ZA RAD
MANUAL DE OPERATII
TREORACHA OIBRIÚCHÁIN
ΟΔΗΓΙΕΣ ΧΡΗΣΗΣ
EL KITABI
ИНСТРУКЦИИ ЗА ЕКСПЛОАТАЦИЯ
ИНСТРУКЦИЯ ПО ЕКСПЛОАТАЦИИ
取扱説明書
사용설명서
使用说明书**

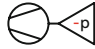



KVT 3.100

MAKE IT BECKER.


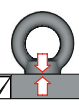


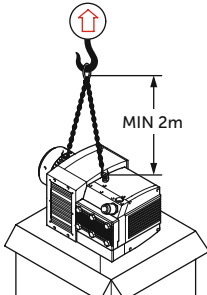


| | |
|---|---|
|   |  |
| |  |
|  <p><input checked="" type="checkbox"/> AIR</p> |   |
| |   |



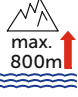
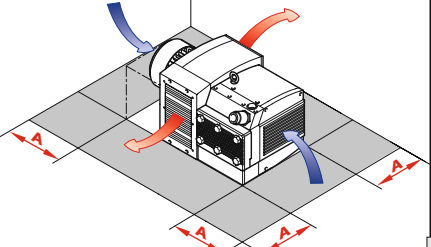
1

| | |
|---|--|
|  <p>MAX. VACUUM</p> |  <p>mbar</p> |
|  <p>MAX.</p> |  <p>m³/h</p> |
| <p>L_{pA})))</p> <p>DIN EN ISO 11203 Accuracy Class 2 K_{pa} = 3 dB(A) l ← 1m</p> | <p>L_{pA} = 75 dB(A) - 50Hz L_{pA} = 77 dB(A) - 60Hz</p> |


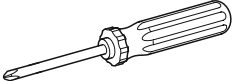

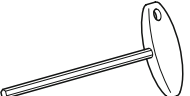

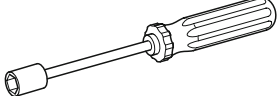
2

| | | | |
|--|---|---|---|
|  |  |  |  <p>101 kg 223 lbs</p> |
|  | | | |

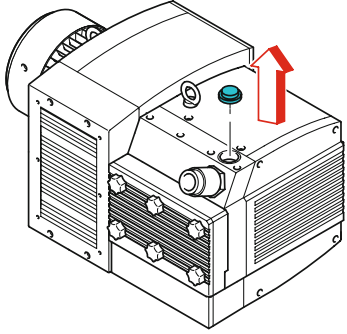
3

| | | | |
|---|--|---|---|
| <p>A > 100mm A > 4"</p> |  <p>> 5°C/41°F < 45°C/113°F</p> |  <p>max. 90%</p> |  <p>max. 800m</p> |
|  | | | |

4

| | |
|---|---|
|  <p>No. 2</p> |  |
|  <p>5 mm</p> |  |
|  <p>7 mm 10 mm</p> |  |

5



6

MOTOR-PROTECTION

=

| | |
|-------------|-------------|
| (CF 1,XX) | |
| 50Hz | 60Hz |
| XXX / XXX V | XXX / XXX V |
| XXX / XXX A | XXX / XXX A |

SERVICE FACTOR
X
RATED CURRENT

7

optional

Bi-metal

PTC

1) motor protection switch

8

9

10

VACUUM

11

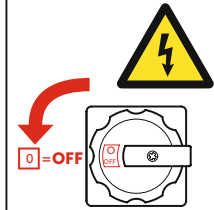
| | | | | |
|----------------|----------|--|--|--|
| BECKER | | Color: Becker GmbH Industrie-Post-Box 20 WUTRODZKA Görlitz Made in Germany | | |
| year | XXX/20XX | | | |
| no. | A1234567 | Compressor / vacuum pump | | |
| type | XXX | Hz | | |
| frequency | XXX | mm ³ | | |
| speed | XXX | kW | | |
| power required | XXX | m ³ /h | | |
| inlet capacity | XXX | mmbar | | |
| pressure | XXX | mmbar | | |
| vacuum | XXX | mmbar | | |

12

Maintenance



13



n=0min⁻¹



14

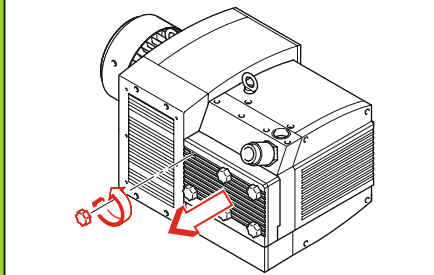
CLEANING INTERVAL

SUCTION AIR

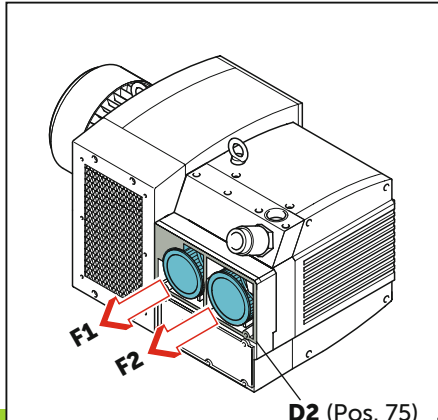
40h

200h

EN149 - FFP3
42 CFR 84 - N100



15

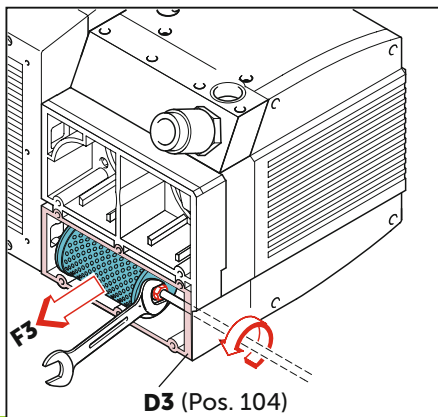


16

optional
en option
optionale
opcional

KVT 3.100/0
 KVT 3.100/6

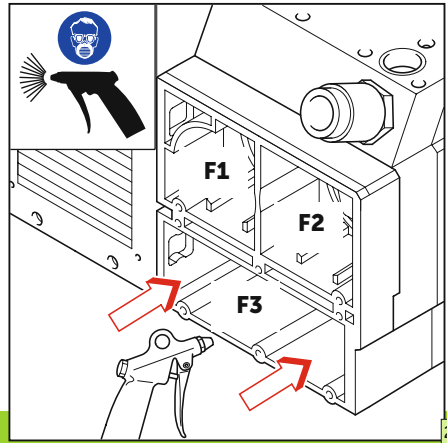
17



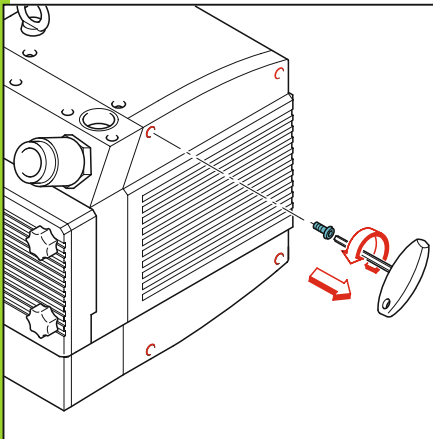
18

| | | |
|------------------------------|---|-------------------------|
| | | |
| F1 = F2 (standard) | F2* (polyester) KVT 3.100/6 | F3 (standard) |
| No.: 909507 | No.: 909587 | No.: 909514 |
| | Satz / Kit Pos.: 20, 24, 62, 75, 76, 85, 104, 122, 125, 126, 146 No.: 549000 21300 | |

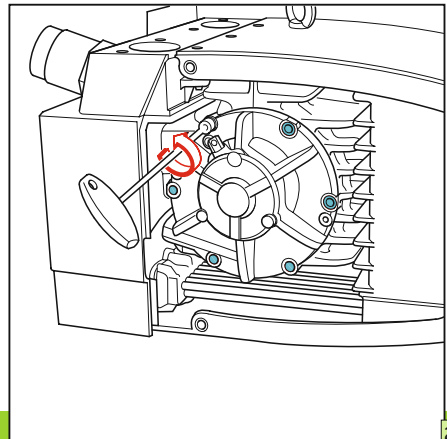
19



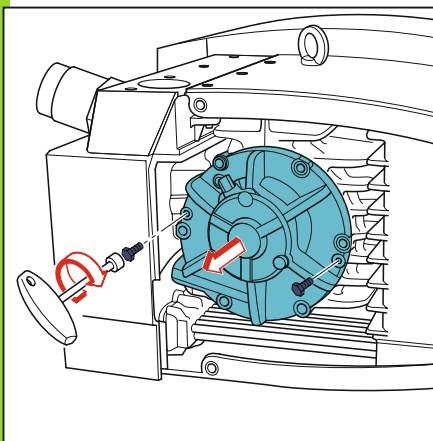
20



21



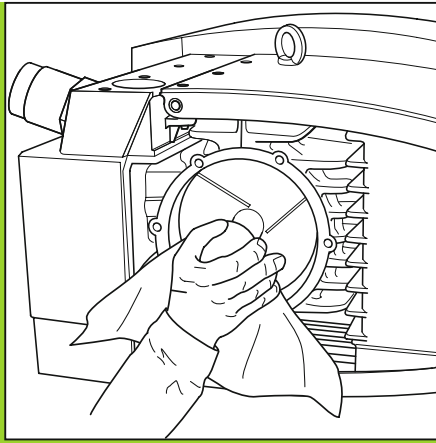
22



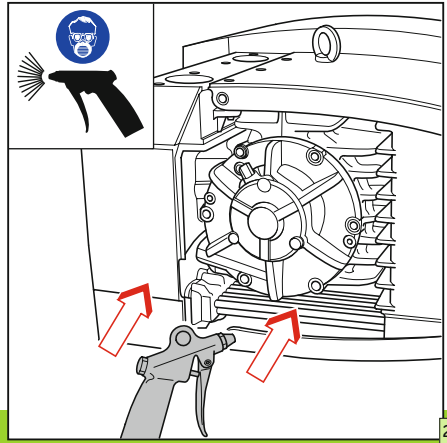
23

| | |
|---|--------------------------------------|
| | |
| 3000 h | |
| | $A_{MAX} = 39mm$ $A_{MIN} = 26mm$ |
| | $A_{spr} < 26mm$ |
| KVT 3.100 (standard) → No. 90133300004 (SET) KVT 3.100/6 → No. 90138000004 (SET) | |

24



25



26

No. 74330500000

2000 h

1. □ = ON

2. Special grease

10x \longleftrightarrow (=5g)

10x \longleftrightarrow

27

| | | |
|----------|----|------|
| A | 8x | 11Nm |
| B | 4x | 3Nm |
| C | 4x | 3Nm |

28

?

i+

www.becker-international.com



WWW.BECKER-INTERNATIONAL-SHOP.COM

Gebr. Becker GmbH
Hoelker Feld 29-31
42279 WUPPERTAL
GERMANY
info@becker-international.com
www.becker-international.com





MAKE IT BECKER.

28100021202 | 2021-12-07 | All rights reserved