


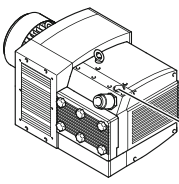







**BETRIEBSANLEITUNG
OPERATING INSTRUCTIONS
INSTRUCCIONES DE SERVICE
ISTRUZIONI D'USO
HANDLEIDING
INSTRUCCIONES PARA EL MANEJO
MANUAL DE INSTRUÇÕES
NAUDOJIMOSI INSTRUKCIJA
KASUTUSJUHEND
LIETOŠANAS INSTRUKCIJA
DRIFTSINSTRUKS
DRIFTSINSTRUKTIONER
DRIFTSVEJLEDNING
INSTRUKCJA OBSŁUGI**

**KEZELÉSI ÚTMUTATÓ
NÁVOD K OBSLUZE
NAVODILO ZA UPORABO
NÁVOD NA OBSLUHU
UPUTE ZA RAD
MANUAL DE OPERATII
TREORACHA OIBRIÚCHÁIN
ΟΔΗΓΙΕΣ ΧΡΗΣΗΣ
EL KITABI
ИНСТРУКЦИИ ЗА ЕКСПЛОАТАЦИЯ
ИНСТРУКЦИЯ ПО ЕКСПЛУАТАЦИИ
取扱説明書
사용설명서
使用说明书**

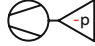



KVT 3.140

MAKE IT BECKER.


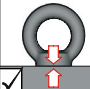


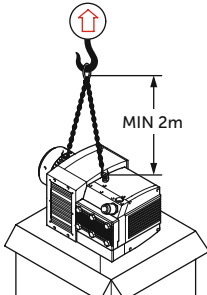


 	
	
 <p><input checked="" type="checkbox"/> AIR</p>	 
	 



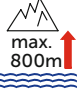
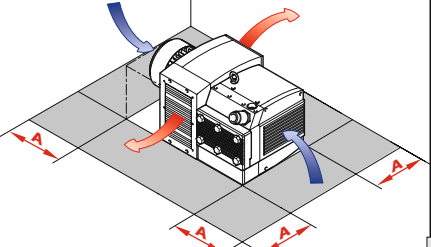
1

 <p>MAX. VACUUM</p>	 <p>mbar</p>
 <p>MAX.</p>	 <p>m³/h</p>
<p>L_{pA})))</p> <p>DIN EN ISO 11203 Accuracy Class 2 K_{pa} = 3 dB(A) l ← 1m</p>	<p>L_{pA} = 76 dB(A) - 50Hz L_{pA} = 79 dB(A) - 60Hz</p>


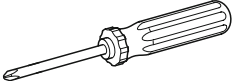

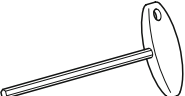

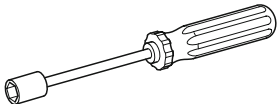
2

			 <p>111 kg 245 lbs</p>
 <p>MIN 2m</p>			

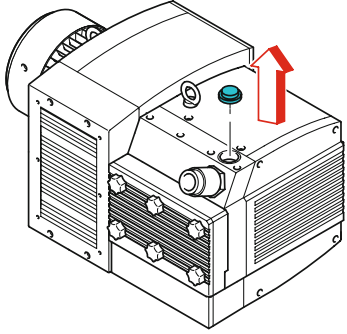
3

<p>A > 100mm A > 4"</p>	 <p>> 5°C/41°F < 45°C/113°F</p>	 <p>max. 90%</p>	 <p>max. 800m</p>
			

4

 <p>No. 2</p>	
 <p>5 mm</p>	
 <p>7 mm 10 mm</p>	

5



6

MOTOR-PROTECTION

=

50Hz	60Hz
XXX / XXX V	XXX / XXX V
XXX / XXX A	XXX / XXX A

SERVICE FACTOR

X

RATED CURRENT

7

optional

Bi-metal

PTC

¹⁾ motor protection switch

8

9

10

0 2 10 [m]

VACUUM

11

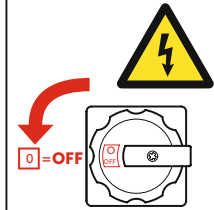
BECKER		Color: Becker GmbH Industrie-Post 20 WUTROTHAL Germany Made in Germany	 CE
year	XXX/20XX		
no.	A1234567		
Compressor / vacuum pump			
type	XXX	Hz	
frequency	XXX	mm ³	
speed	XXX	kW	
power required	XXX	m ³ /h	
inlet capacity	XXX	mbar	
pressure	XXX	mmHg	
vacuum	XXX	mmHg	

12

Maintenance



13



n=0min⁻¹



14

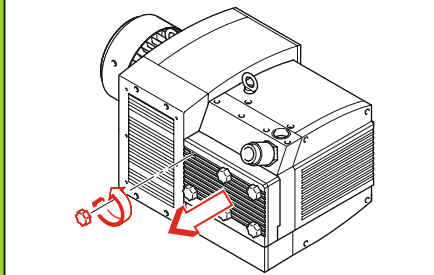
CLEANING INTERVAL

SUCTION AIR

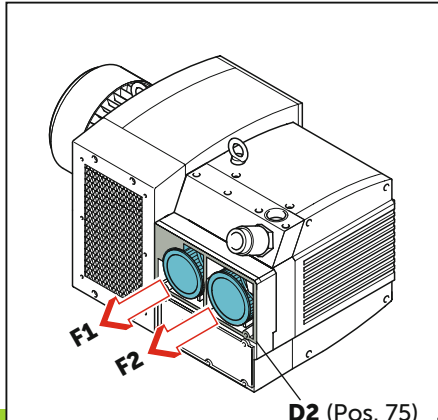
40h

200h

EN149 - FFP3
42 CFR 84 - N100



15

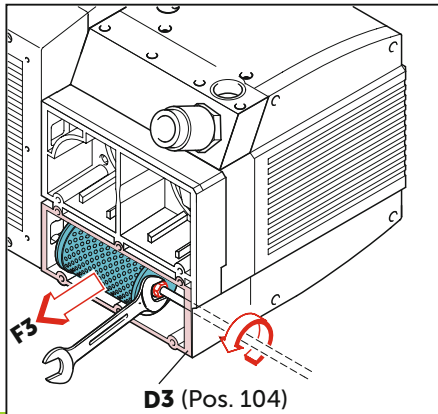


16

optional
en option
optionale
opcional

KVT 3.140/0
 KVT 3.140/6

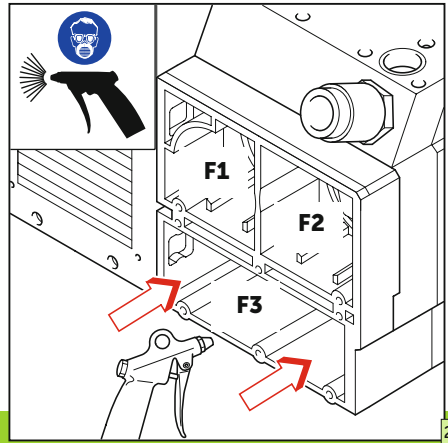
17



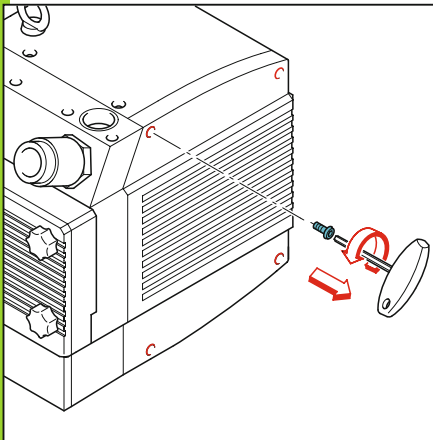
18

<p>F1 = F2 (standard)</p> <p>No.: 909507</p>	<p>F2* (polyester) KVT 3.140/6</p> <p>No.: 909587</p>	<p>F3 (standard)</p> <p>No.: 909514</p>
	<p>Satz / Kit Pos.: 20, 24, 62, 75, 76, 85, 104, 122, 125, 126, 146</p> <p>No.: 549000 21300</p>	

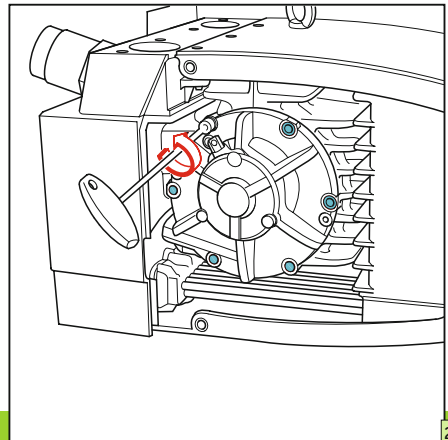
19



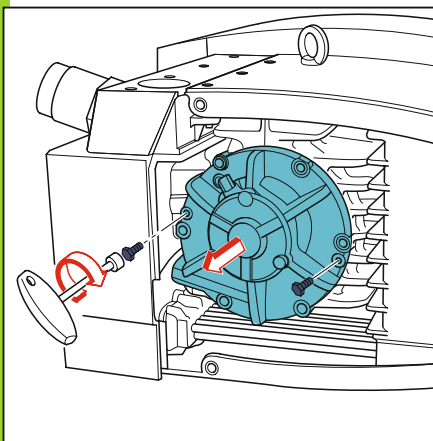
20



21



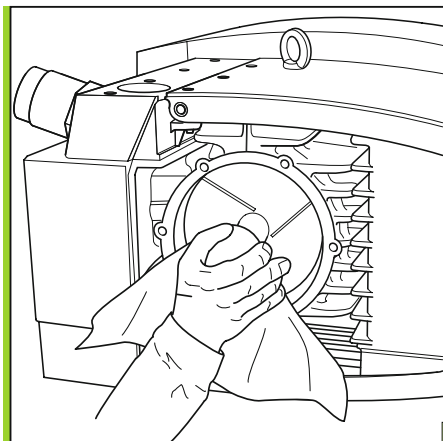
22



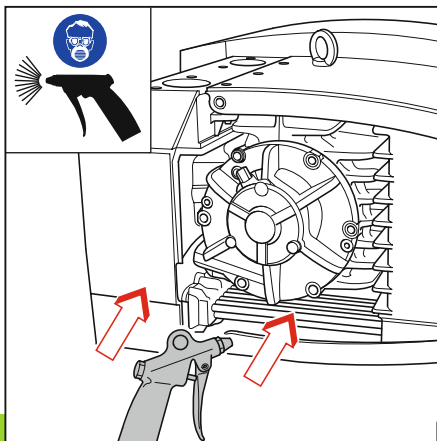
23

<p>3000 h</p>	
	<p>$A_{MAX} = 48mm$</p> <p>$A_{MIN} = 31mm$</p> <p>$A_{spr} < 31mm$ </p>
<p>KVT 3.140 (standard) → No. 90133400004 (SET)</p> <p>KVT 3.140/6 → No. 90138100004 (SET)</p>	

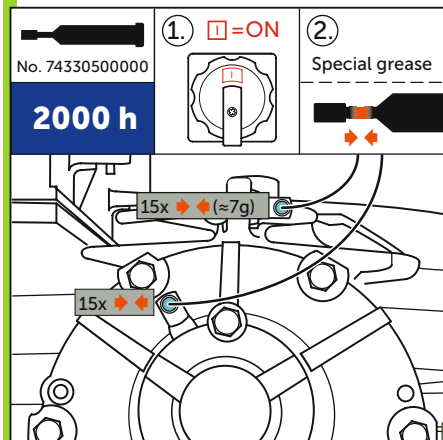
24



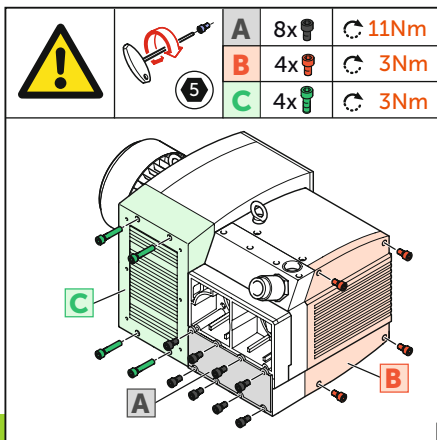
25



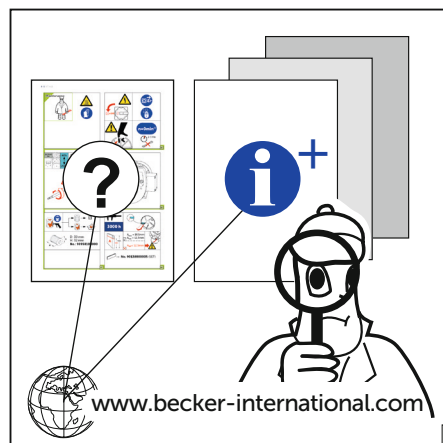
26



27



28



29



WWW.BECKER-INTERNATIONAL-SHOP.COM

Gebr. Becker GmbH
Hoelker Feld 29-31
42279 WUPPERTAL
GERMANY
info@becker-international.com
www.becker-international.com





MAKE IT BECKER.