


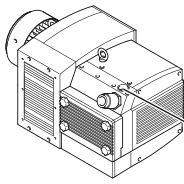







**BETRIEBSANLEITUNG
OPERATING INSTRUCTIONS
INSTRUCIONES DE SERVICE
ISTRUZIONI D'USO
HANDLEIDING
INSTRUCCIONES PARA EL MANEJO
MANUAL DE INSTRUÇÕES
NAUDOJIMOSI INSTRUKCIJA
KASUTUSJUHEND
LIETOŠANAS INSTRUKCIJA
DRIFTSINSTRUKS
DRIFTSINSTRUKTIONER
DRIFTSVEJLEDNING
INSTRUKCJA OBSŁUGI**

**KEZELÉSI ÚTMUTATÓ
NÁVOD K OBSLUZE
NAVODILO ZA UPORABO
NÁVOD NA OBSLUHU
UPUTE ZA RAD
MANUAL DE OPERATII
TREORACHA OIBRIÚCHÁIN
ΟΔΗΓΙΕΣ ΧΡΗΣΗΣ
EL KITABI
ИНСТРУКЦИИ ЗА ЕКСПЛОАТАЦИЯ
ИНСТРУКЦИЯ ПО ЕКСПЛОАТАЦИИ
取扱説明書
사용설명서
使用说明书**



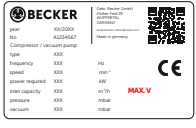
KVT 3.60

MAKE IT BECKER.


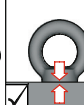


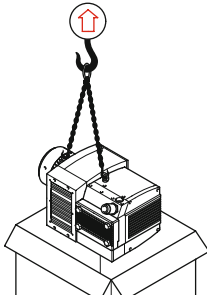


 	
	
 <p>AIR</p>	 
	 



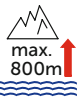
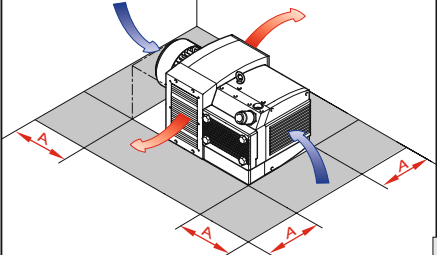
1

<p>MAX. VACUUM</p>  <p>MAX.</p>		<p>mbar</p>
		<p>m³/h</p>
<p>L_{pA})))</p> <p>DIN EN ISO 11203 Accuracy Class 2 K_{son} = 3 dB(A) l = 1m</p>	<p>L_{pA} = 71 dB(A) - 50Hz L_{pA} = 73 dB(A) - 60Hz</p>	


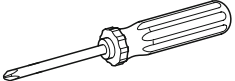

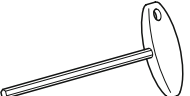

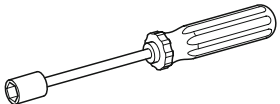
2

			 <p>76-84 kg 168-185 lbs</p>
			

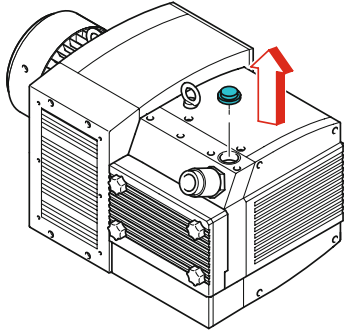
3

<p>A > 100mm A > 4"</p>	 <p>> 5°C/41°F < 45°C/113°F</p>	 <p>max. 90%</p>	 <p>max. 800m</p>
			

4

 <p>No. 2</p>	
 <p>5 mm</p>	
 <p>7 mm 10 mm</p>	

5



6

MOTOR-PROTECTION
=

(CF 1,XX)	
50Hz	60Hz
XXX / XXX V	XXX / XXX V
XXX / XXX A	XXX / XXX A

SERVICE FACTOR
X
RATED CURRENT

7

optional

Bi-metal

PTC

1) motor protection switch

8

9

10

0 2 10 [m]

VACUUM

1" 1 1/2" + 1x

11

BECKER Color: Becker GmbH
Industrie-Post 20
WUTROTA
Germany
mailto:service@becker.com

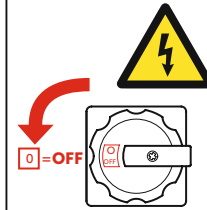
year	XXX/20XX		
no.	A1234567		
Compressor / vacuum pump			
type	XXX		
frequency	XXX	Hz	
speed	XXX	mm ³	
power required	XXX	kW	
inlet capacity	XXX	m ³ /h	
pressure	XXX	mbar	
vacuum	XXX	mmHg	

12

Maintenance



13



n=0min⁻¹



14

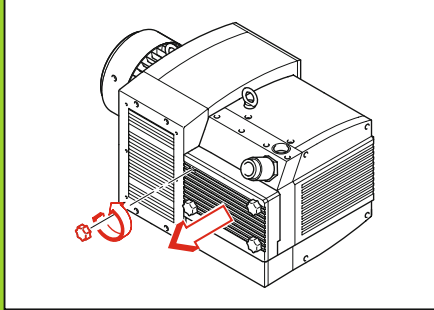
CLEANING INTERVAL

SUCTION AIR

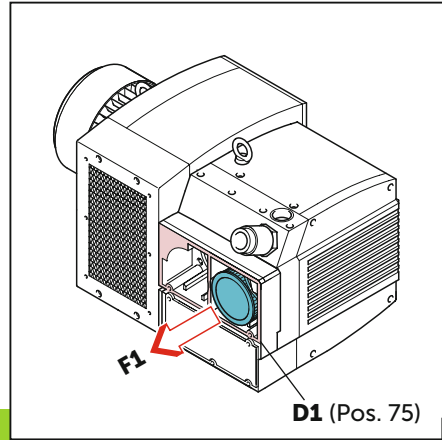
40h

200h

EN149 - FFP3
42 CFR 84 - N100



15

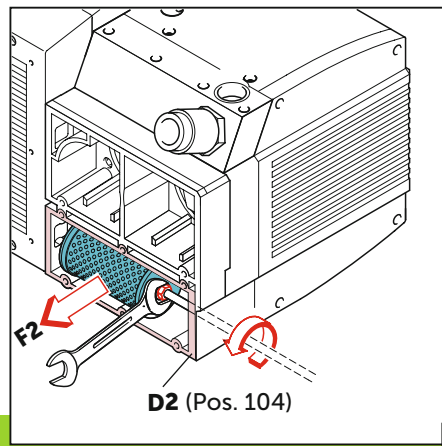


16

optional
en option
opcionale
opcional

KVT 3.60/0
 KVT 3.60/6

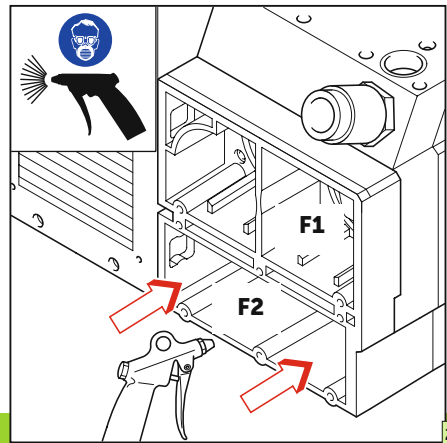
17



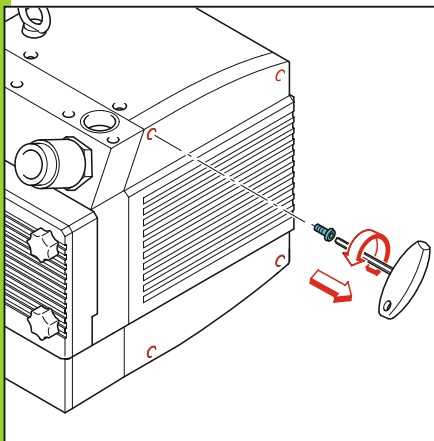
18

F1 (standard) No.: 909507	F1* (polyester) KVT 3.60/6 No.: 909587	F2 (standard) No.: 909510
	Satz / Kit Pos.: 20, 24, 62, 75, 76, 85, 104, 125, 126, 146, 288 No.: 549000 21100	

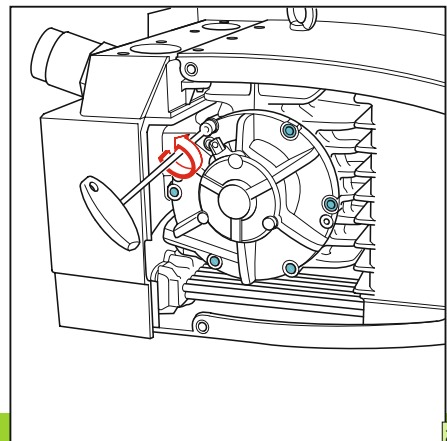
19



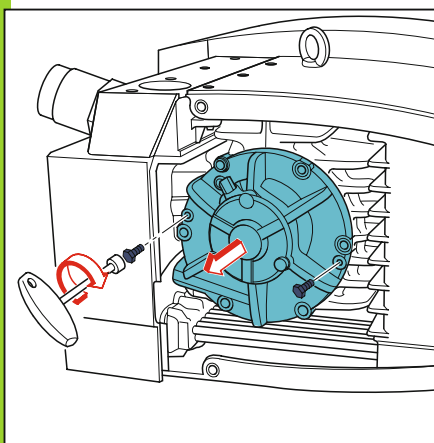
20



21



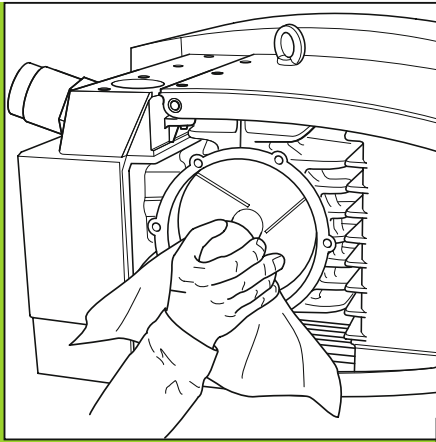
22



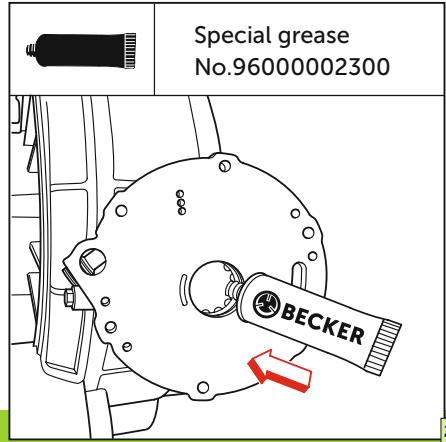
23

3000 h	
	$A_{MAX} = 39mm$ $A_{MIN} = 21mm$ $A_{fan} < 21mm$
KVT 3.60 (standard) KVT 3.60/6	→ No. 90133000004 (SET) → No. 90137900004 (SET)

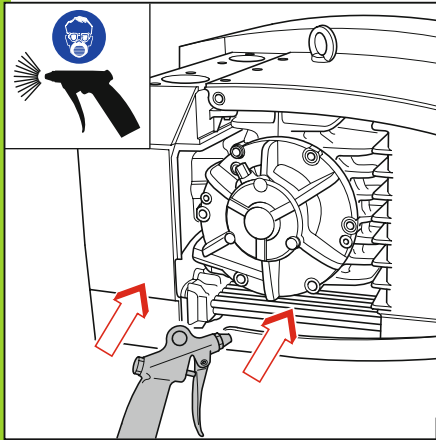
24



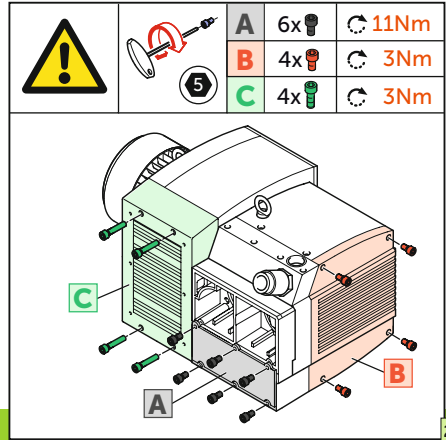
25



26



27



28



29



WWW.BECKER-INTERNATIONAL-SHOP.COM

Gebr. Becker GmbH
Hoelker Feld 29-31
42279 WUPPERTAL
GERMANY
info@becker-international.com
www.becker-international.com





MAKE IT BECKER.