



Authorized Dealer  
1.800.229.0009  
sales@updateltd.com  
www.updateltd.com

**DATA SHEET**

# **VTLF 2.200**

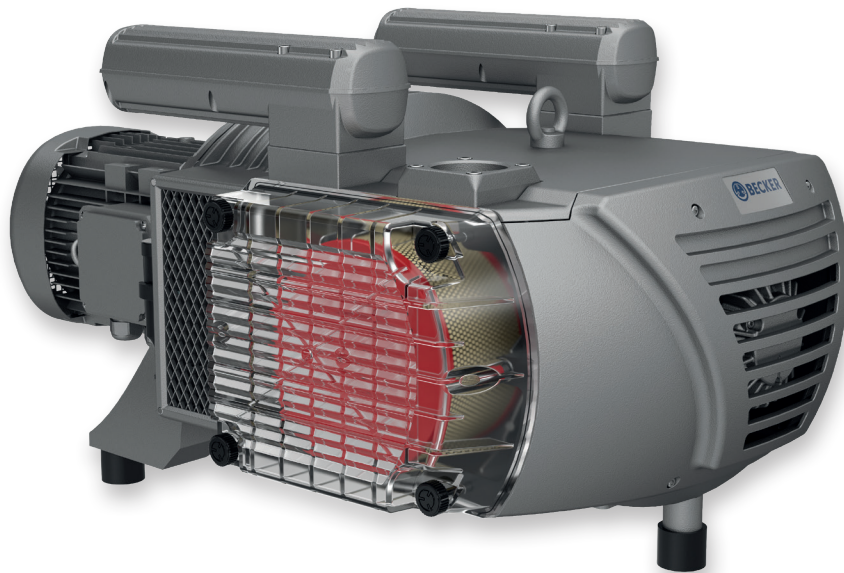
# **ROTARY VANE VACUUM PUMPS**

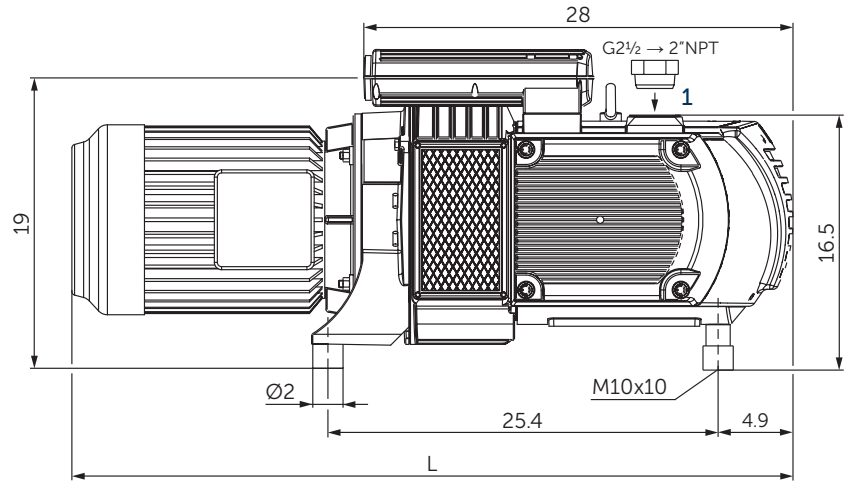
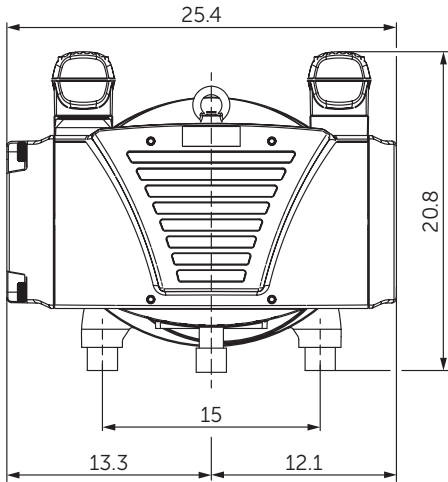
oil-free

air-cooled

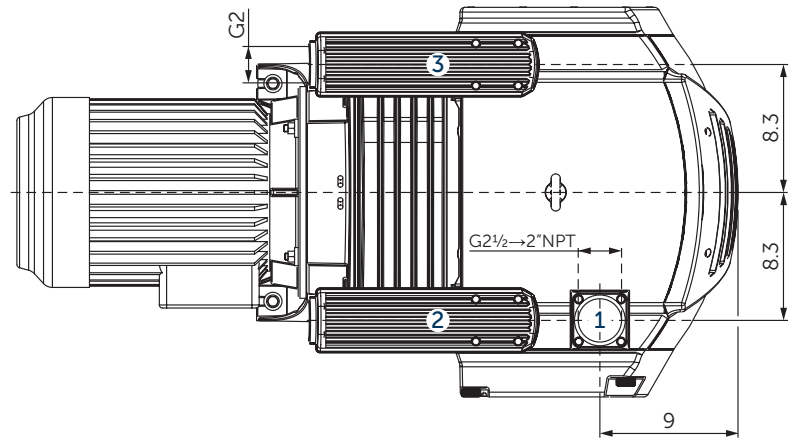
---

**MAKE IT BECKER.**





- 1 Vacuum connection, for the US market including adapter 2½" BSPP to 2" NPT thread
- 2 Vacuum relief valve with silencer
- 3 Blow-off valve with silencer
- Including integrated suction air filter
- The motor illustration may vary.
- Dimensions in inch

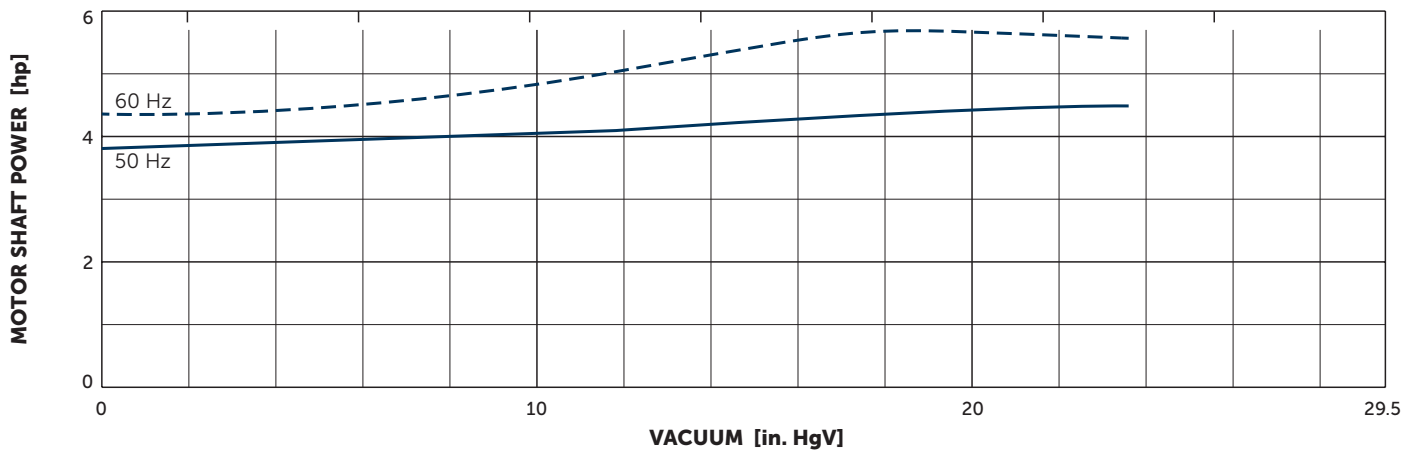
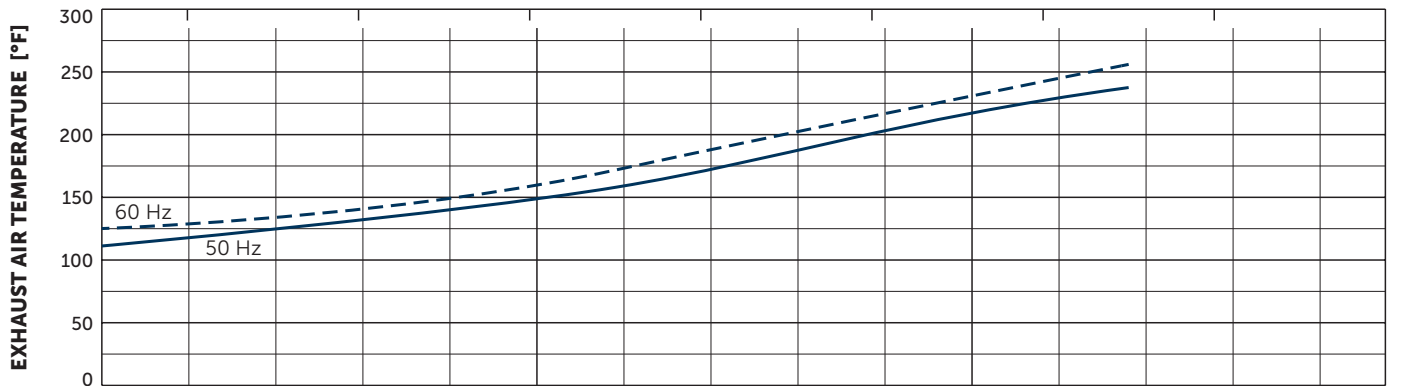
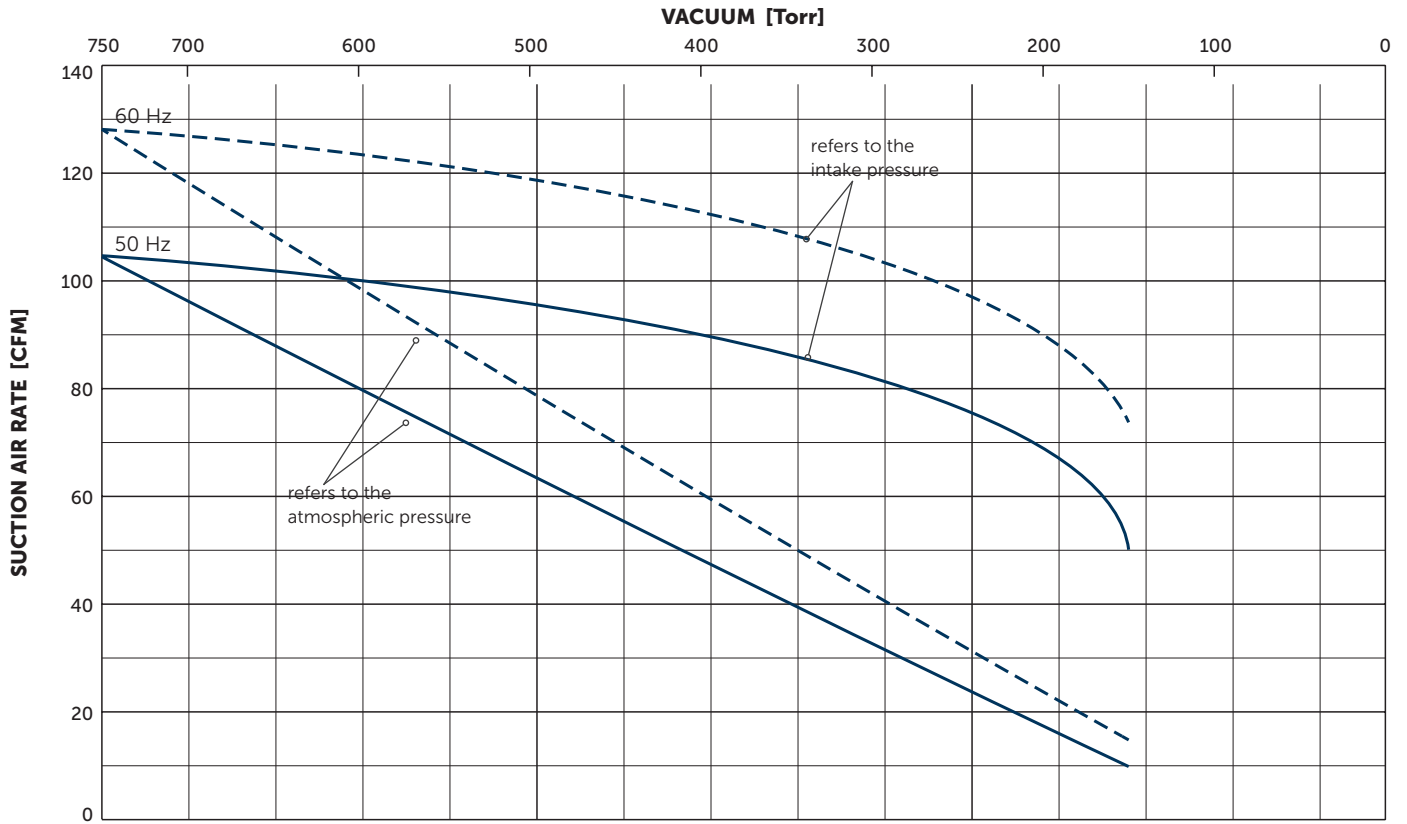


Suction air rate		Vacuum		Emission sound pressure level <sup>1)</sup>		Weight without motor
50 Hz	60 Hz	50 Hz	60 Hz	50 Hz	60 Hz	
105	128	23.6	23.6	75	77	333

<sup>1)</sup> According to DIN EN ISO 3744 (KpA = 3 dB(A)), 39.4 inch distance, at medium load, both connection sides piped

3~ Motors												L	
#	50 Hz					60 Hz				Version	Weight lbs	inch	
	hp	V	IE3	rpm	A	hp	V	IE3	rpm				A
01	5.4	Δ230/Y400	IE3	735	19.6/11.0	6.4	Δ265/Y460	IE3	882	19.6/11.3	IP55 • ISO F • bimetal	235.9	46.3
							Δ230/Y400		875	20.4/11.8			
02						6.4	YY230/Y460	IE3	883	22.4/11.2	UL(E235514) • CSA CC329B	251.4	46.3
							YY208		879	22.7	IP55 • ISO F • bimetal		
03	5.4	Δ200/Y350	IE3	730	22.0/12.7	6.4	Δ220/Y380-400	IE3	876	23.0/13.3-12.5	UL(E235514) • CSA CC329B	233.7	46.3
							Δ200/Y350		871	23.0/13.3	IP55 • ISO F • bimetal		
04						6.4	Δ400/Y690	IE3	883	13.0/7.5	UL(E235514) • CSA CC329B IP55 • ISO F • bimetal	251.4	46.3
05						7.5	575		880	8.88	UL • CSA • CC NEMA • IP55 • ISO F	293.0	49.4

- Current consumption and rotation speed may vary. Tolerance in each case -1.5/+2%



Reference data (atmosphere): 0 in. HgV, 68°F; Tolerance: ±5%

## + VARIANTS AND ACCESSORIES

### VXLF 2.200

#### SERIES X: BECKER INNOVATION WITH TOP WARRANTY

Equipped with specially developed vanes, these oil-free rotary vane pumps distinguish themselves by high abrasion resistance, and with that extremely long service lives. Due to the low wear there is also minimal dust, so the series X pumps are perfectly suited for precision processes under clean room conditions.

This innovation branded by Becker is outstanding not only because of its 100 percent oil-free operation, excellent degree of efficiency and low power consumption.

In the area of sensitive vacuum, series X also guarantees precise low-pulsation air conduction.

Becker guarantees for these pumps a vane life-time of 20,000 operating hours or a maximum of 3 years. The enhanced longevity of X series pumps also extends service life intervals, and can cut out the need for frequent service visits with costly pump failures now no longer an issue.



#### ADVANTAGES

- Quick, clean and quiet
- Oil-free
- Wear resistant
- Energy saving
- Long-life reliability

### OTHER VARIANTS AND ACCESSORIES

- Integrated non return valve
- Increased corrosion protection
- External suction filter<sup>1)</sup>
- Sound proof box SH 10<sup>1)</sup>



Example for an external suction filter



Sound proof box SH 10

<sup>1)</sup> See separate data sheet

- Possible combinations on request



**MAKE IT BECKER.**