

DATA SHEET

# VTLF 2.250 SK ROTARY VANE VACUUM PUMPS

oil-free and air-cooled  
with special cooler for higher ultimate pressure

**MAKE IT BECKER.**

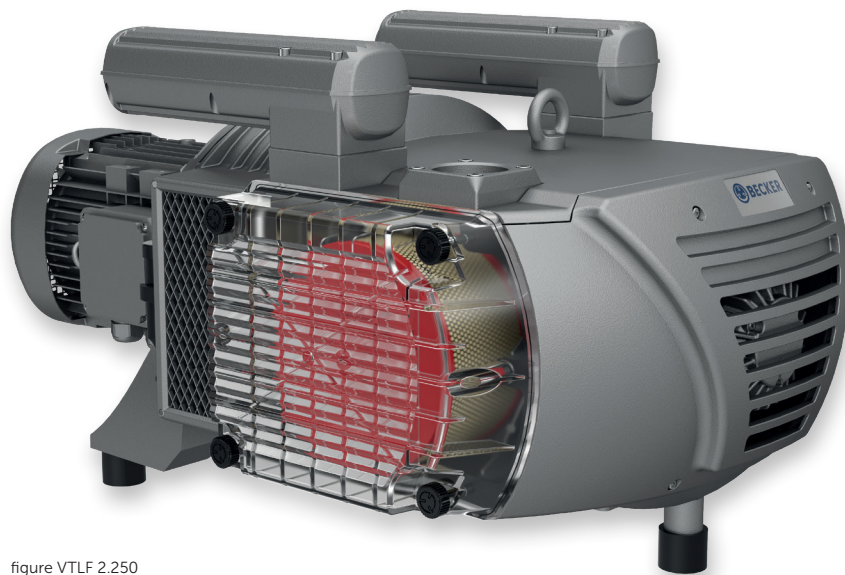
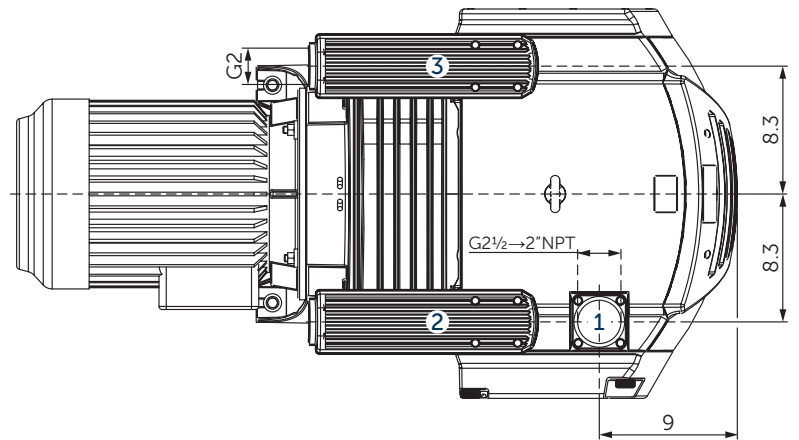
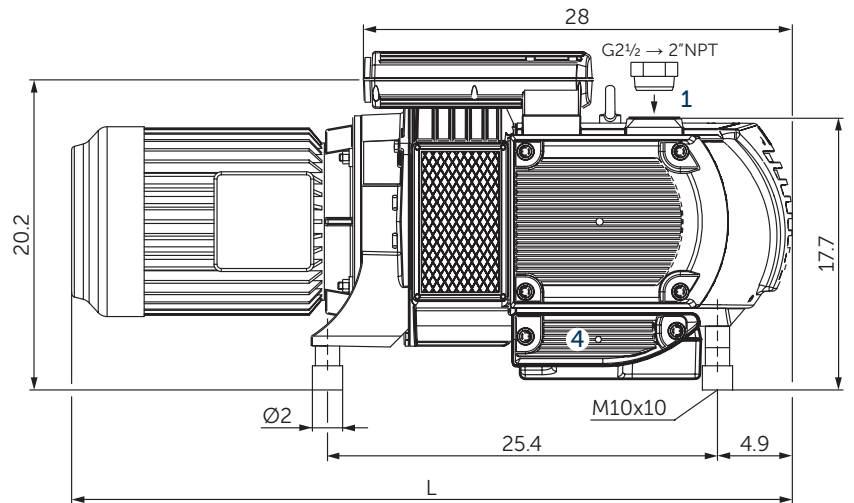
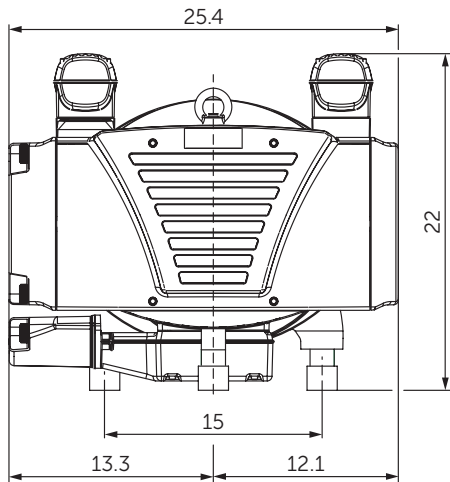


figure VTLF 2.250



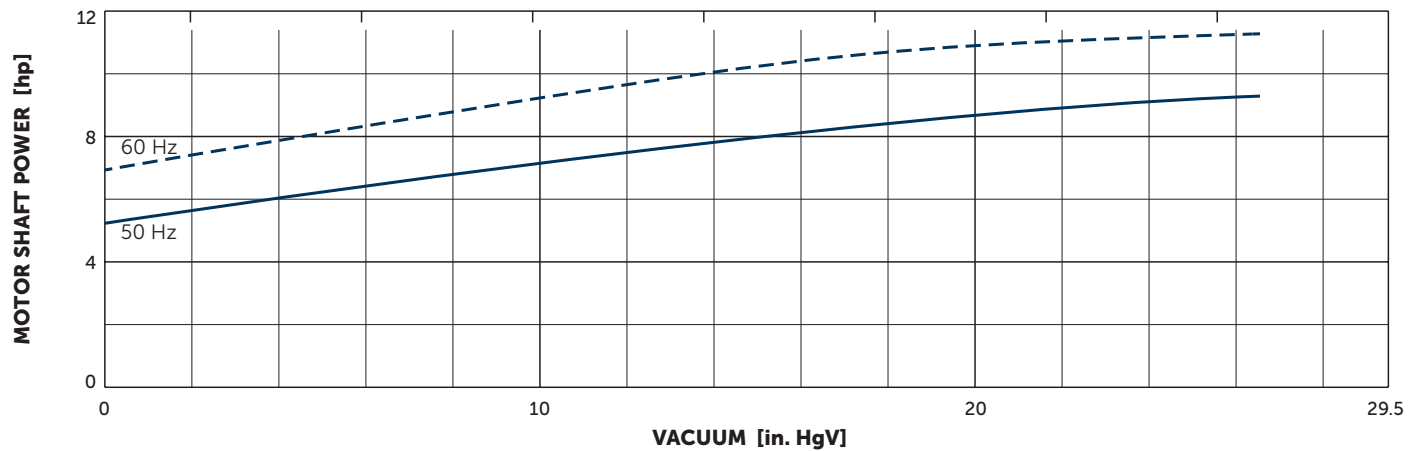
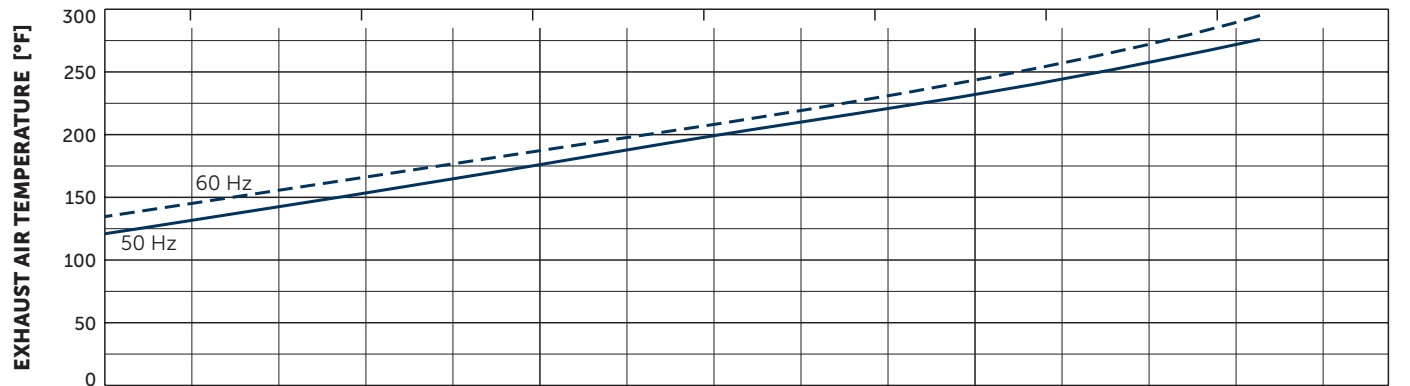
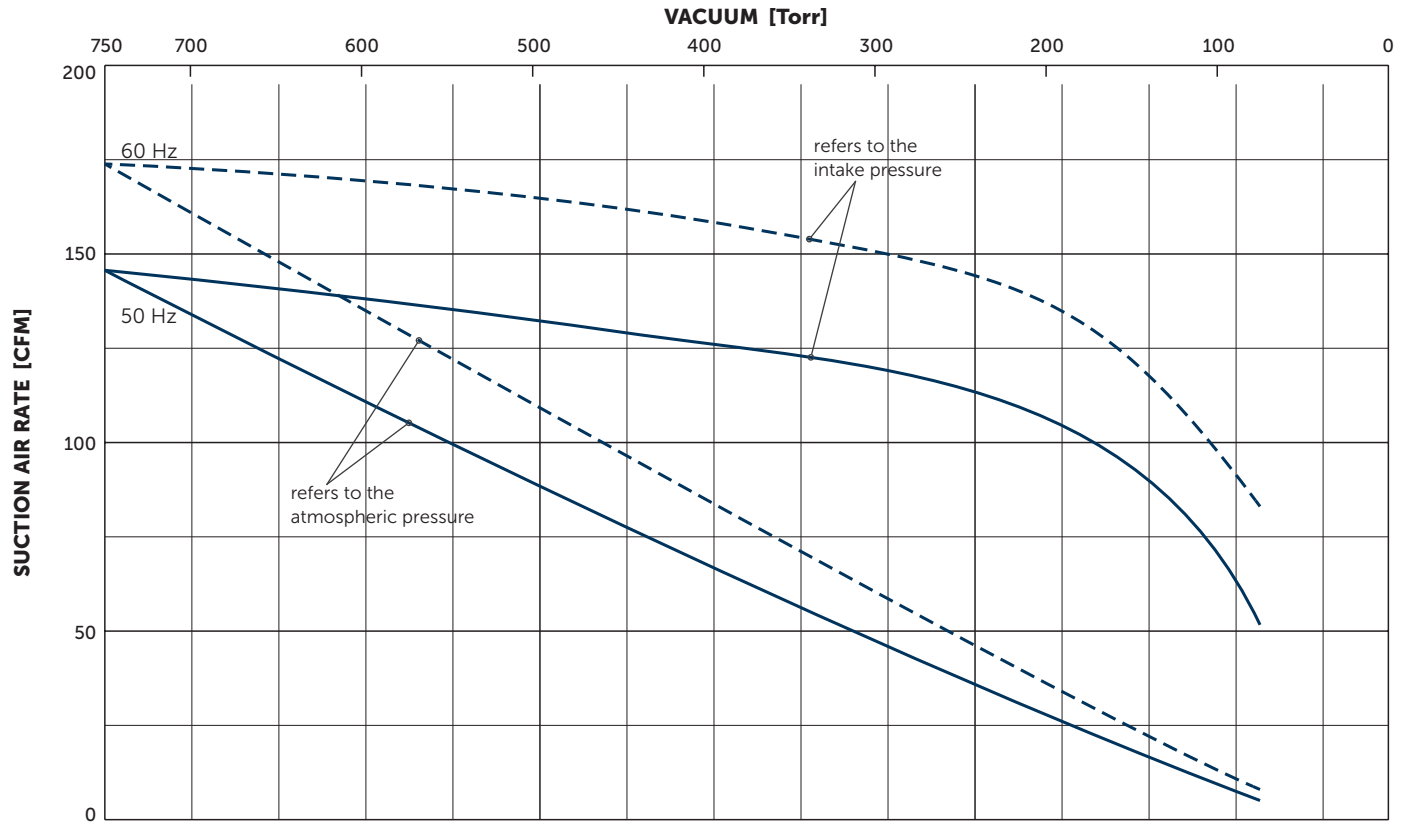
- 1 Vacuum connection, for the US market including adapter 2½" BSPP to 2" NPT thread
- 2 Vacuum relief valve with silencer
- 3 Blow-off valve with silencer
- 4 Special cooler
  - Including integrated suction air filter
  - The motor illustration may vary.
  - Dimensions in inch

Suction air rate		Vacuum		Emission sound pressure level <sup>1)</sup>		Weight without motor
50 Hz	60 Hz	50 Hz	60 Hz	50 Hz	60 Hz	lbs
146	174	26.6	26.6	77	79	355

<sup>1)</sup> According to DIN EN ISO 3744 (KpA = 3 dB(A)), 39.4 inch distance, at medium load, both connection sides piped

3~ Motors												L	
#	50 Hz					60 Hz				Version	Weight lbs	inch	
	hp	V	rpm	A	hp	V	rpm	A					
01	10.1	Δ400	IE3	967	16.8	12.1	Δ460 Δ400	IE3	1163 1151	16.9 18.4	IP55 • ISO F • bimetal	235.9	46.5
02						12.1	YY230/Y460 YY208	IE3	1163 1156	33.4/16.7 35.4	UL(E235514) • CSA CC329B IP55 • ISO F • bimetal	235.9	46.3
03	10.1	Δ200/Y350	IE3	965	37.1/21.4	12.1	Δ220/Y380-400 Δ200/Y350	IE3	1165 1162	35.3/20.4-20.1 36.4/21.0	UL(E235514) • CSA CC329B IP55 • ISO F • bimetal	224.9	46.5
04						12.1	Δ400/Y690	IE3	1165	19.3/11.1	UL(E235514) • CSA CC329B IP55 • ISO F • bimetal	224.9	46.3
05	12.5	ΔΔ200/Δ400		970	35.4/17.7	12.5 11.0	ΔΔ230/Δ460 YY208		1175 <1175	30.7/15.4 29.9	UL • CSA • CC029A NEMA Premium IP55 • ISO F	362.0	49.2
06						12.5	ΔΔ200/Δ400		1175	35.6/17.8	UL • CSA • CC029A NEMA Premium IP55 • ISO F	331.0	49.2
07						12.5	Δ575		1175	12.4	UL • CSA • CC029A NEMA Premium IP55 • ISO F	331.0	49.2

• Current consumption and rotation speed may vary. Tolerance in each case -1.5/+2%



Reference data (atmosphere): 0 in. HgV, 68°F; Tolerance: ±5%

## **+** VARIANTS AND ACCESSORIES

### **VXLF 2.250 SK**

#### **SERIES X: BECKER INNOVATION WITH TOP WARRANTY**

Equipped with specially developed vanes, these oil-free rotary vane pumps distinguish themselves by high abrasion resistance, and with that extremely long service lives. Due to the low wear there is also minimal dust, so the series X pumps are perfectly suited for precision processes under clean room conditions.

This innovation branded by Becker is outstanding not only because of its 100 percent oil-free operation, excellent degree of efficiency and low power consumption.

In the area of sensitive vacuum, series X also guarantees precise low-pulsation air conduction.

Becker guarantees for these pumps a vane life-time of 20,000 operating hours or a maximum of 3 years. The enhanced longevity of X series pumps also extends service life intervals, and can cut out the need for frequent service visits with costly pump failures now no longer an issue.



#### **ADVANTAGES**

- Quick, clean and quiet
- Oil-free
- Wear resistant
- Energy saving
- Long-life reliability

### **OTHER VARIANTS AND ACCESSORIES**

- Integrated non return valve
- Increased corrosion protection
- External suction filter<sup>1)</sup>
- Sound proof box SH 10<sup>1)</sup>



Example for an external suction filter



Sound proof box SH 10

<sup>1)</sup> See separate data sheet

- Possible combinations on request



**MAKE IT BECKER.**