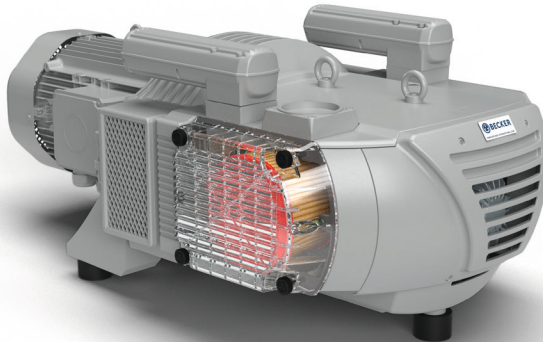


**BETRIEBSANLEITUNG  
OPERATING INSTRUCTIONS  
INSTRUCTIONS DE SERVICE  
ISTRUZIONI D'USO  
HANDLEIDING  
INSTRUCCIONES PARA EL MANEJO  
MANUAL DE INSTRUÇÕES  
NAUDOJIMOSI INSTRUKCIJA  
KASUTUSJUHEND  
LIETOŠANAS INSTRUKCIJA  
DRIFTSINSTRUKS  
DRIFTSINSTRUKTIONER  
DRIFTSVEJLEDNING  
INSTRUKCJA OBSŁUGI**

**KEZELÉSI ÚTMUTATÓ  
NÁVOD K OBSLUZE  
NAVODILO ZA UPORABO  
NÁVOD NA OBSLUHU  
UPUTE ZA RAD  
MANUAL DE OPERATII  
TREORACHA OIBRIÚCHÁIN  
ΟΔΗΓΙΕΣ ΧΡΗΣΗΣ  
EL KITABI  
ИНСТРУКЦИИ ЗА ЕКСПЛОАТАЦИЯ  
ИНСТРУКЦИЯ ПО ЕКСПЛОАТАЦИИ  
取扱説明書  
사용설명서  
使用说明书**

# **VTLF 2.400 VTLF 2.500**

**MAKE IT BECKER.**



<p><input checked="" type="checkbox"/> AIR</p>		

1

<p><b>MAX. VACUUM</b></p> <p><b>MAX.</b></p>		<p>mbar</p>
	<p><math>L_{pA} \gg)</math></p> <p>DIN EN ISO 11203 Accuracy Class 2 <math>K_{s,A} = 3 \text{ dB(A)}</math> <math>l = 1\text{m}</math></p>	<p><math>L_{pA} = 77-79 \text{ dB(A)} - 50\text{Hz}</math> <math>L_{pA} = 79-80 \text{ dB(A)} - 60\text{Hz}</math></p>

2

			<p>350-370 kg 772-816 lbs</p>
<p>MIN 2x</p>			<p>90°</p>

3

<p><math>A &gt; 400\text{mm}</math> <math>A &gt; 16''</math></p>	<p><math>&gt; 5^\circ\text{C}/41^\circ\text{F}</math> <math>&lt; 45^\circ\text{C}/113^\circ\text{F}</math></p>	<p>max. 90%</p>	<p>max. 800m</p>

4

<p>No. 2</p>	
<p>5 mm 6 mm</p>	
<p>13 mm</p>	

5

6

**BECKER** MADE IN GERMANY ENDUROX  
NEULABORATOR  
**50 Hz** 3000W 1 60 Hz 3000W  
3000000 / 3000000 V<sub>A</sub> / H 3000000 / 3000000 V<sub>A</sub> / H  
22.000 RPM / A 22.000 RPM / A  
3000.0000 mm 3000.0000 mm 300 kg

GENERAL

ADDITIONAL  $M \geq 5.5 \text{ kW}$

RECOMMENDATION

**A**   
Softstart

---

**B**

OPTIONAL

PTC

Bi-metal




VACUUM

0 2 3 10[m]


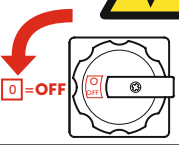




4" 4" 5" + 1x

$>100^{\circ}\text{C}$   
 $>212^{\circ}\text{F}$


**Maintenance**

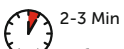
13

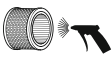
**n=0min<sup>-1</sup>**



2-3 Min




14



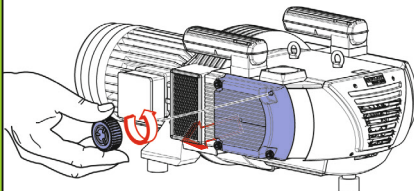
**CLEANING INTERVAL**

40h

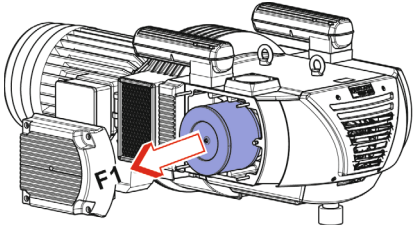
200h



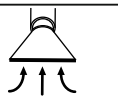
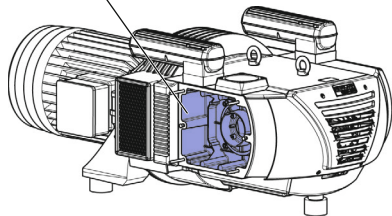
EN149 - FFP3  
42 CFR 84 - N100



15



16

17

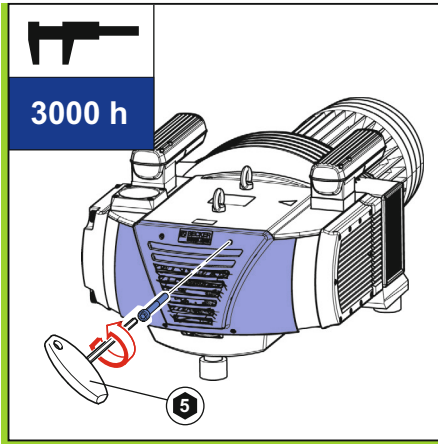



**F1:** D: 217 mm  
H: 146 mm  
No.: 9095970000

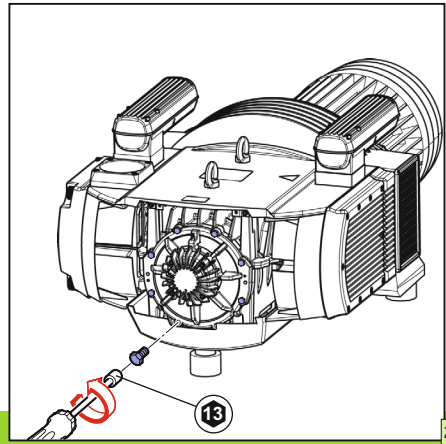


EN149 - FFP3  
42 CFR 84 - N100

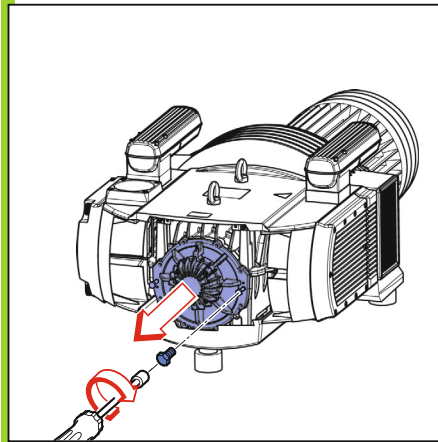
18



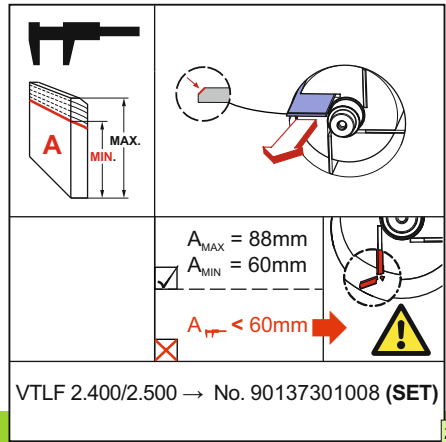
19



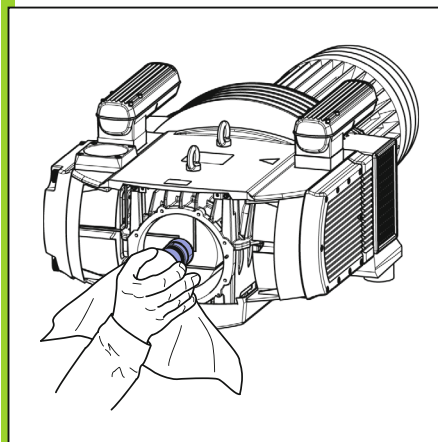
20



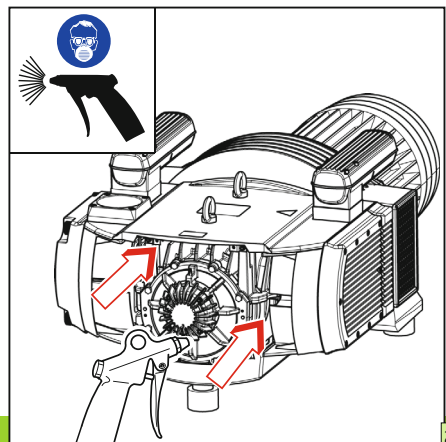
21



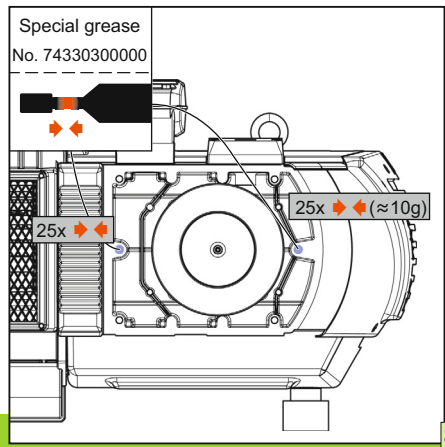
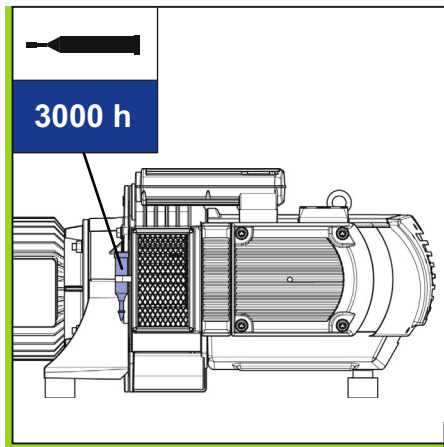
22

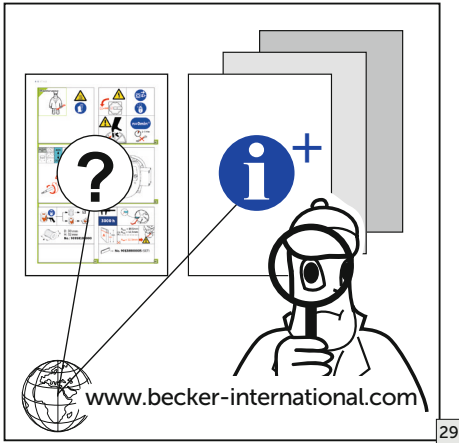


23



24





29



[WWW.BECKER-INTERNATIONAL-SHOP.COM](http://WWW.BECKER-INTERNATIONAL-SHOP.COM)

Gebr. Becker GmbH  
Hoelker Feld 29-31  
42279 WUPPERTAL  
GERMANY  
[info@becker-international.com](mailto:info@becker-international.com)  
[www.becker-international.com](http://www.becker-international.com)





**MAKE IT BECKER.**

28100052302 | 2021-12-09 | All rights reserved