

DATA SHEET

**VT 4.40**

# ROTARY VANE VACUUM PUMPS

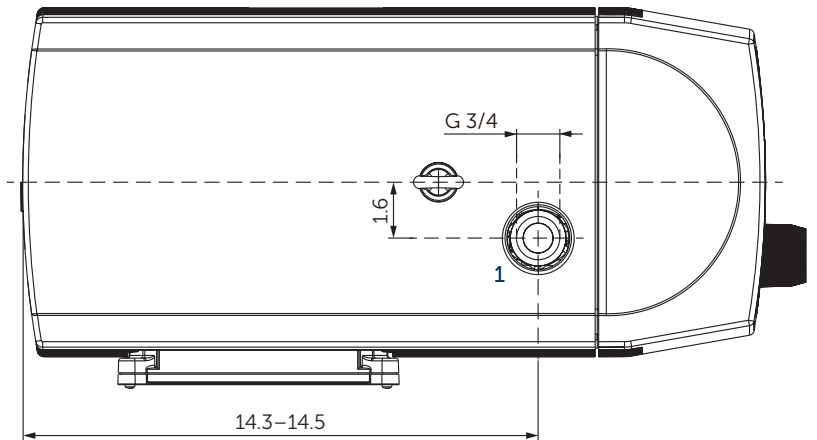
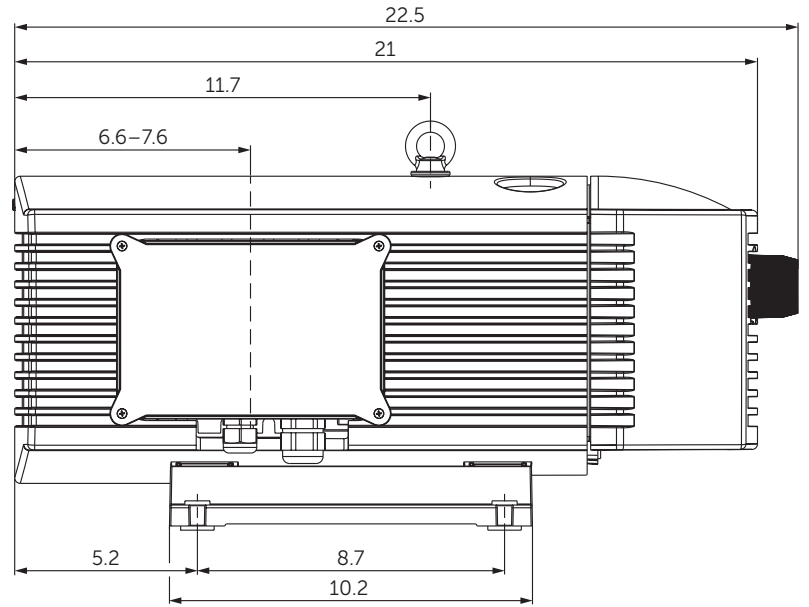
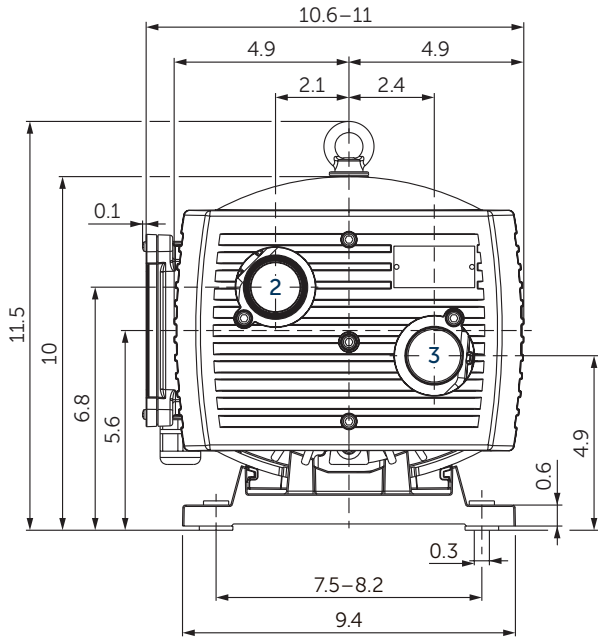
oil-free

air-cooled

---

**MAKE IT BECKER.**





- 1 Vacuum connection (G<sup>3</sup>/<sub>4</sub>)
- 2 Vacuum regulating valve
- 3 Blow-off valve
- Including integrated suction air filter
- The illustration of the terminal box may vary.
- Dimensions in inch

Suction air rate		Vacuum		Emission sound pressure level <sup>1)</sup>		Weight with motor
50 Hz	60 Hz	Torr	in. HgV	50 Hz	60 Hz	lbs
23.5	28.3	112.5	25.4	67	72	≈84.9-90.4 <sup>2)</sup>

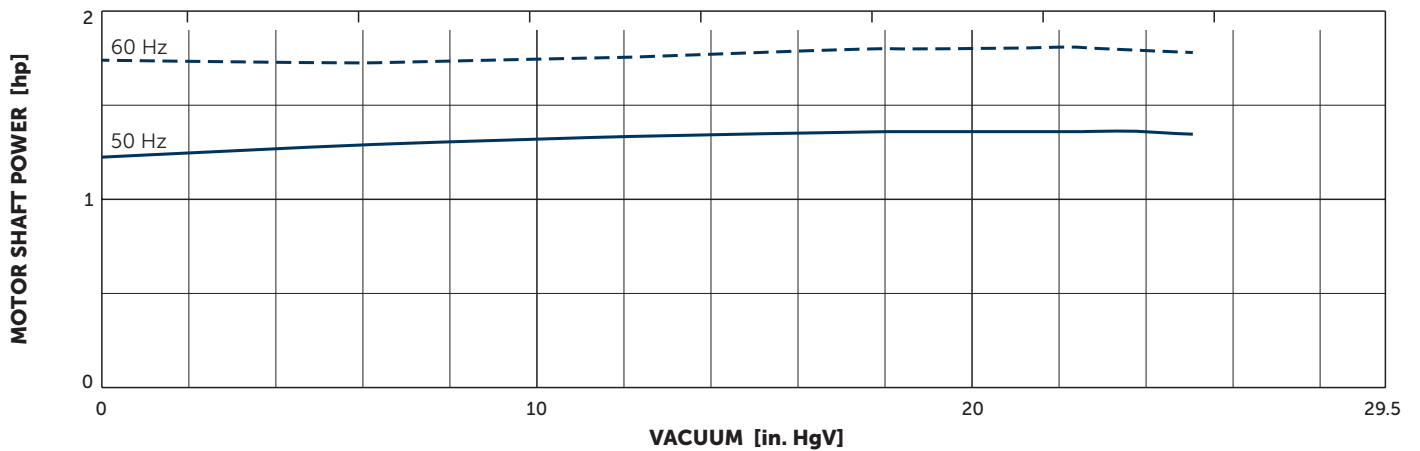
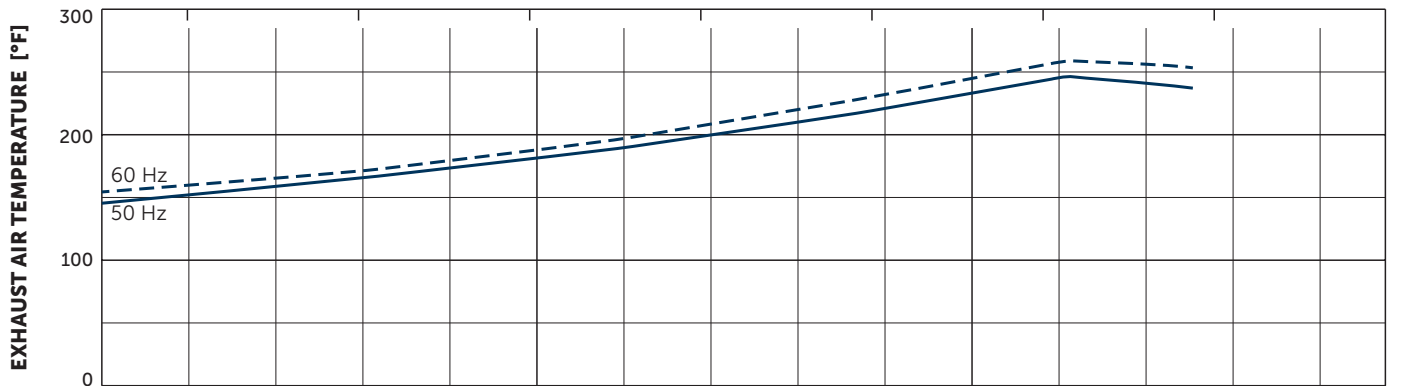
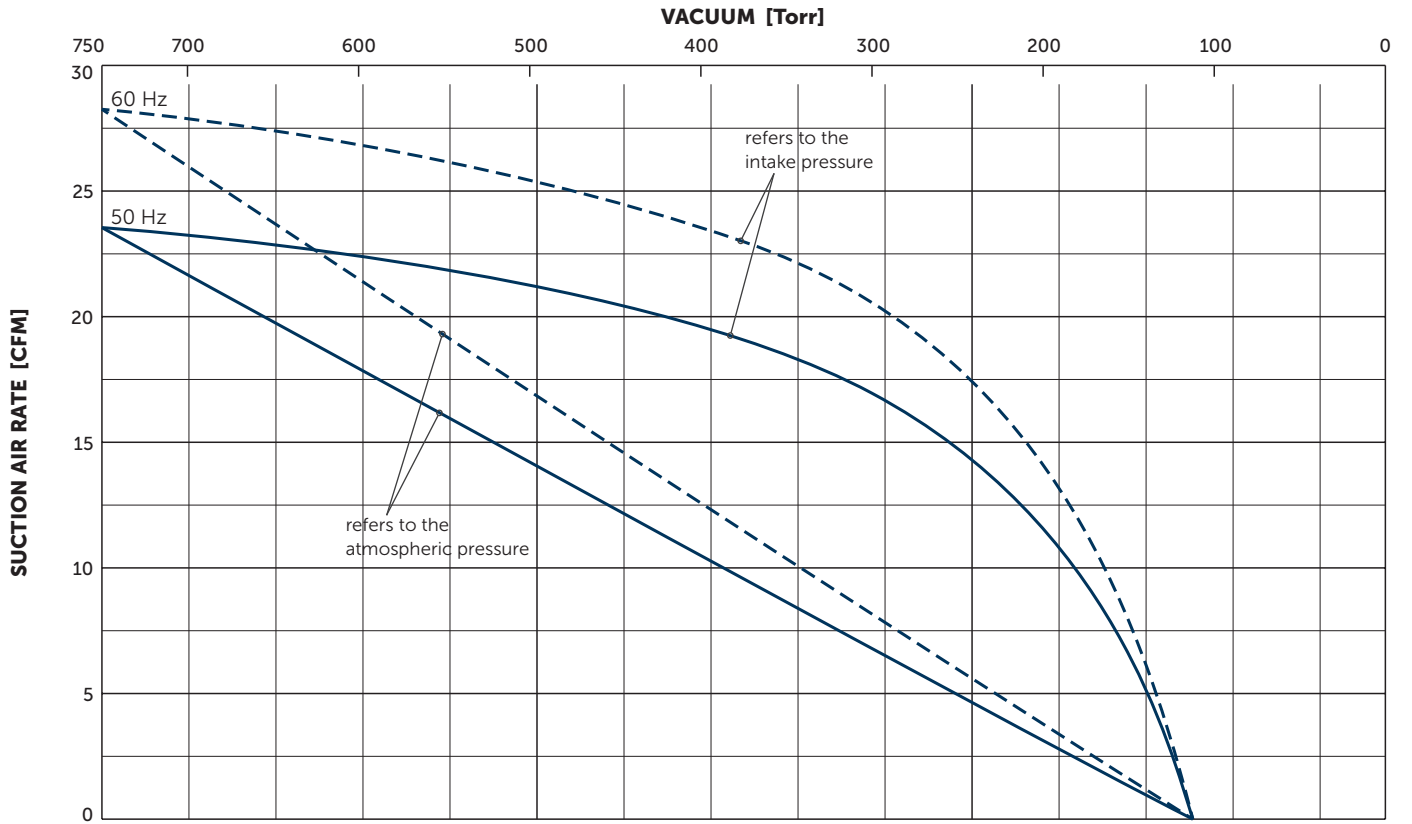
<sup>1)</sup> According to DIN EN ISO 3744 (KpA = 3 dB(A)), 39.4 inch distance, at medium load, both connection sides piped

<sup>2)</sup> Depending on the motor

3~ Motors											
#	50 Hz					60 Hz				Version	
	hp	V	IE3	rpm	A	hp	V	rpm	A		
01	1.7	Y400	IE3	1435	3.1	2.0	YY230/Y460 YY208 Y400	IE3 IE3	1735 1720 1715	5.8/2.9 6.5 3.3	UL (E113150) • CSA • CC046A IP55 • ISO F PTO bimetal 150°C
02	1.7	Δ200/Y350	IE3	1435	6.4/3.7	2.0	Δ220/Y380-400 Δ200/Y350	IE3	1735 1720	6.1/3.5 6.4/3.7	UL(E113150)/CSA IP54 • ISO F PTO bimetal 150°C
03	1.7	190-255/ 330-440		1430	5.2-6.2/ 3.0-3.6	2.0	190-290/ 330-500		1680	6.9-5.7/ 4.0-3.3	IP54 • ISO F • bimetal 150°C
04	1.7	190-255/ 330-440		1430	5.2-6.2/ 3.0-3.6	2.0	190-290/ 330-500		1680	6.9-5.7/ 4.0-3.3	UL • CSA IP54 • ISO F • bimetal 150°C

1~ Motor										
#	50 Hz				60 Hz				Version	
	hp	V	rpm	A	hp	V	rpm	A		
01	1.5	230 ±10%	1350	7.6	1.5	230 ±10%	1620	7.3	IP54 • ISO F • bimetal 150°C 30 μF (400 V)	

• Current consumption and rotation speed may vary. Tolerance in each case -1.5/+2%



Reference data (atmosphere): 0 in. HgV, 68°F; Tolerance: ±5%  
 Air temperature: 41°F ... 135°F

## **+** VARIANTS AND ACCESSORIES

### **VX 4.40**

#### **SERIES X: BECKER INNOVATION WITH TOP WARRANTY**

Equipped with specially developed vanes, these oil-free rotary vane pumps distinguish themselves by high abrasion resistance, and with that extremely long service lives. Due to the low wear there is also minimal dust, so the series X pumps are perfectly suited for precision processes under clean room conditions.

This innovation branded by Becker is outstanding not only because of its 100 percent oil-free operation, excellent degree of efficiency and low power consumption.

In the area of sensitive vacuum, series X also guarantees precise low-pulsation air conduction.

Becker guarantees for these pumps a vane life-time of 20,000 operating hours or a maximum of 3 years. The enhanced longevity of X series pumps also extends service life intervals, and can cut out the need for frequent service visits with costly pump failures now no longer an issue.



**ADVANTAGES**

- Quick, clean and quiet
- Oil-free
- Wear resistant
- Energy saving
- Long-life reliability
- Ultimate pressure 26.6 in. HgV

### **OTHER VARIANTS AND ACCESSORIES**

- **VT 4.40/0-90** with a higher suction air rate of maximum 26.6/32.3 CFM (50/60 Hz)<sup>1)</sup>
- With external suction filter<sup>1)</sup>
- Sound proof box SH 19<sup>1)</sup>



Example for an external suction filter



Sound proof box SH 19

<sup>1)</sup> See separate data sheet  
 • Possible combinations on request



**MAKE IT BECKER.**