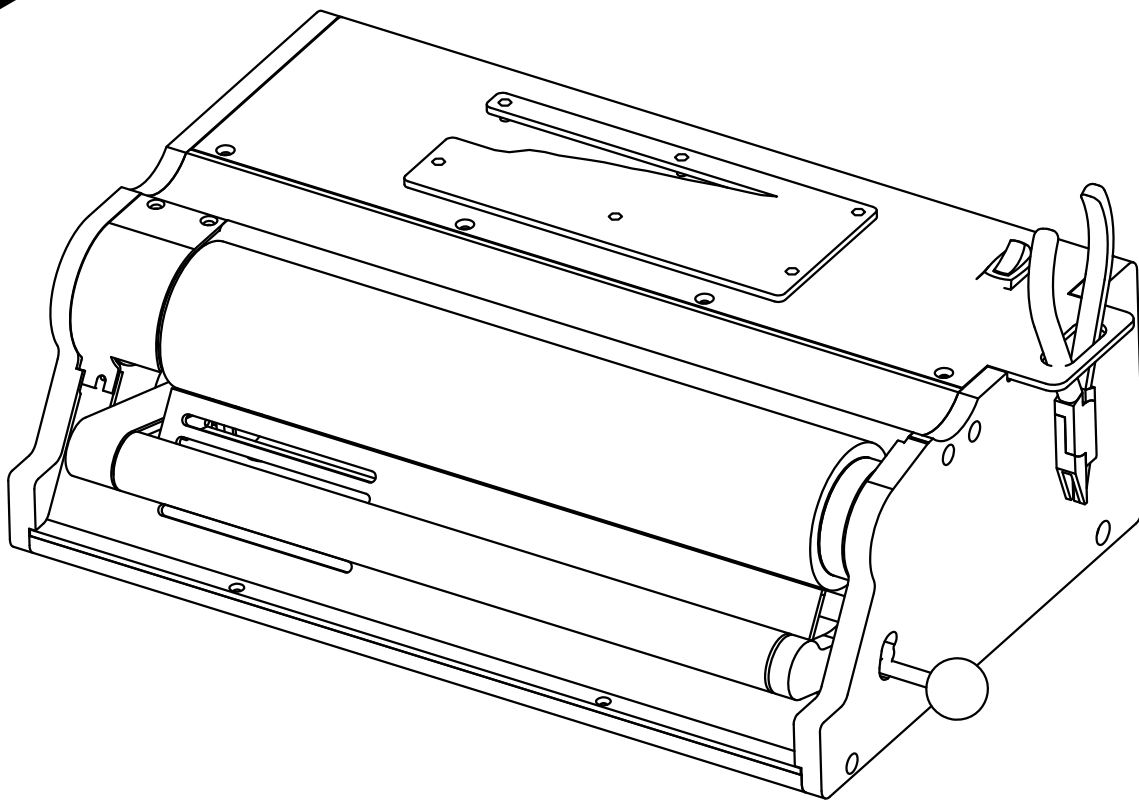


RHIN-O-TUFF **HD-4170** PARTS BOOK

Heavy Duty Coil Inserter Module
Rev. 2

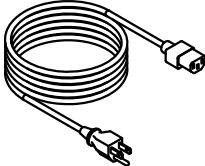


Mailing Address: 2350 E. Braniff, Boise, Idaho 83716-9613
Telephone: 208-384-8551
Fax: 208-384-8583
E Mail: PDI@pdibind.com
Web: www.RHIN-O-TUFF.com

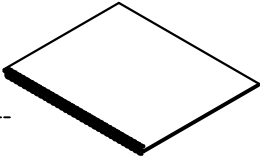
HD-4170 PARTS BOOK

Page 1 Introductory Page

Upon unpacking their new HD 4170 punch, they should have the following items included:

Power Cord  PDi Part # 007090

Coil Crimping Pliers  PDi Part # 001520

HD-4170 Instruction Book  PDi Part # 941000

This book is intended for Rhin-O-Tuff dealers.

HD-4170 PARTS BOOK

Page 2

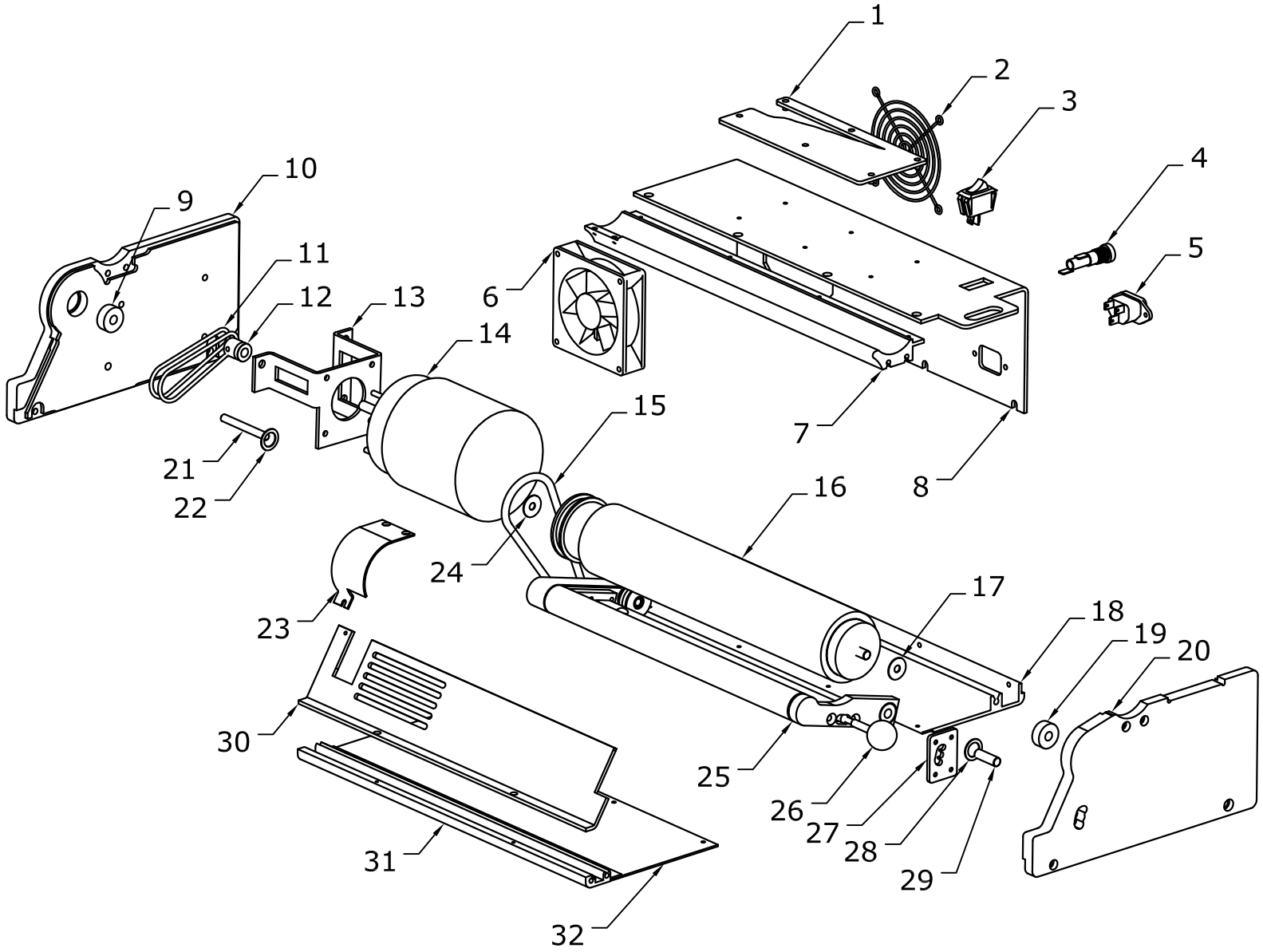
Table Of Contents

Introductory Page	1
Table Of Contents	2
4170 Final Assembly, Machine	3
4170 Final Assembly, Index	4
Assembly, Tortion Bar	5
4170 Wiring Diagram	6
4170 Wiring Diagram CE.....	7

HD-4170 PARTS BOOK

Page 3

- Final Assembly, Machine -



Performance Design, LLC

2350 E. Braniff, Boise, Idaho 83716 / 208-384-8551 / PDI@pdibind.com / www.RHIN-O-TUFF.com

HD-4170 PARTS BOOK

Page 4

- Final Assembly, Index -

Item #	PDI P/N	Qty	Description	Notes
1	941708	1 ea	PLATE, COIL GUIDE	
2	001645	1 ea	GUARD, FAN	115/230
3	007060	1 ea	Switch, On-Off	115 VAC
4	007000	1 ea	FUSE HOLDER, 1/4 X 1-1/4 PANEL	115 VAC
4	007082	1 ea	FUSE, 3 AMP 1/4 X 1-1/4 AGC-3-R	115 VAC
4	001659	2 ea	FUSE, 1.5 AMP M5 X 20MM GMA-1-R	230 VAC
5	007050	1 ea	RECEPTICAL, CORD POWER	115 VAC
5	008140	1 ea	FILTER, QUALTEK 864-10/009	230 VAC
6	001642	1 ea	FAN, COOLING3-5/8" 115VAC	115 VAC
6	001657	1 ea	FAN, COOLING3-5/8" 230VAC	230 VAC
7	041706	1 ea	BAR, PAPER FORM	
8	941703	1 ea	COVER, TOP	115 VAC
8	941711	1 ea	COVER, TOP	230 VAC
9	001656	1 ea	BEARING, 4100 BIG ROLLER	
10	041703	1 ea	SIDEPLATE, LEFT	
11	001648	2 ea	BELT, 1/8 DIAM X 7.5 URETHANE	
12	041707	1 ea	PULLY, MOTOR	
13	941701	1 ea	MOUNT, STANDOFF	
14	008007	1 ea	MOTOR, 1/15 HP 120VAC 1500 RPM	115 VAC
14	008008	1 ea	MOTOR, 1/15HP 230 VOLT 1600 RPM	230 VAC
15	001647	1 ea	BELT, 1/4 DIAM X 10.5 URETHANE	
16	041710	1 ea	ASSY, LARGE ROLLER	
17	003016	1 ea	WASHER, TEFLON .250 X .765 X .031	
18	041705	1 ea	PLATE, BOTTOM REAR	
19	001656	1 ea	BEARING, 4100 BIG ROLLER	
20	041704	1 ea	SIDEPLATE, RIGHT	
21	001400	1 ea	PIN, DOWEL 1/4 X 1-1/4	
22	003017	1 ea	WASHER, TEFLON .505 X .750 X .031	
23	941710	1 ea	COVER, LARGER WHEEL DRIVE BELT	
24	003016	1 ea	WASHER, TEFLON .250 X .765 X .031	
25	na	1 ea	ASSEMBLY, TORTION BAR	PAGE 5
26	001480	1 ea	KNOB, ROUND 1" DIA	
27	941705	1 ea	GUIDE, SPRING	
28	003017	1 ea	WASHER, TEFLON .505 X .750 X .031	
29	001080	1 ea	PIN, DOWEL 5/16 X 1	
30	941707	1 ea	PLATE, SAFETY	
31	041717	1 ea	BAR, BOTTON FRONT	
32	921704	1 ea	PLATE, BOTTOM	
33	001106	1 ea	DECAL, VOLTAGE HAZARD	Not Shown
34	001146	1 ea	DECAL, CAUTION FUSE	Not Shown
35	001194	1 ea	DECAL, CRUSH HAZARD	Not Shown
36	941709	1 ea	DECAL, ROLL POSITION SETTING	Not Shown
37	941712	1 ea	DECAL, ROLL POSITION SIZES	Not Shown
38	001040	4 ea	FEET, BUBBER STICK-ON	Not Shown

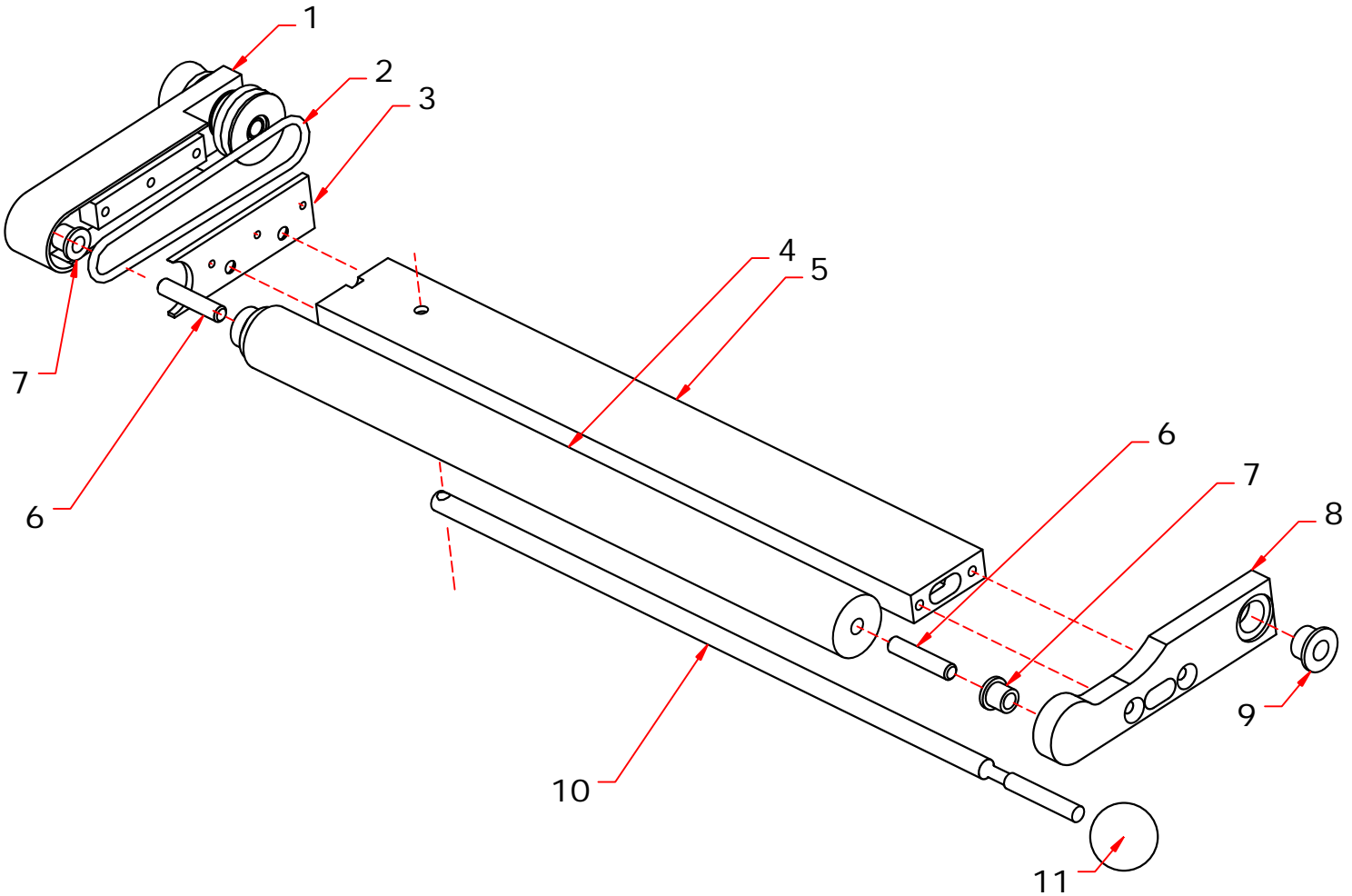
Performance Design, LCC

2350 E. Braniff, Boise, Idaho 83716 / 208-384-8551 / PDI@pdibind.com / www.RHIN-O-TUFF.com

HD-4170 PARTS BOOK

Page 05

- Assembly, Tortion Bar -



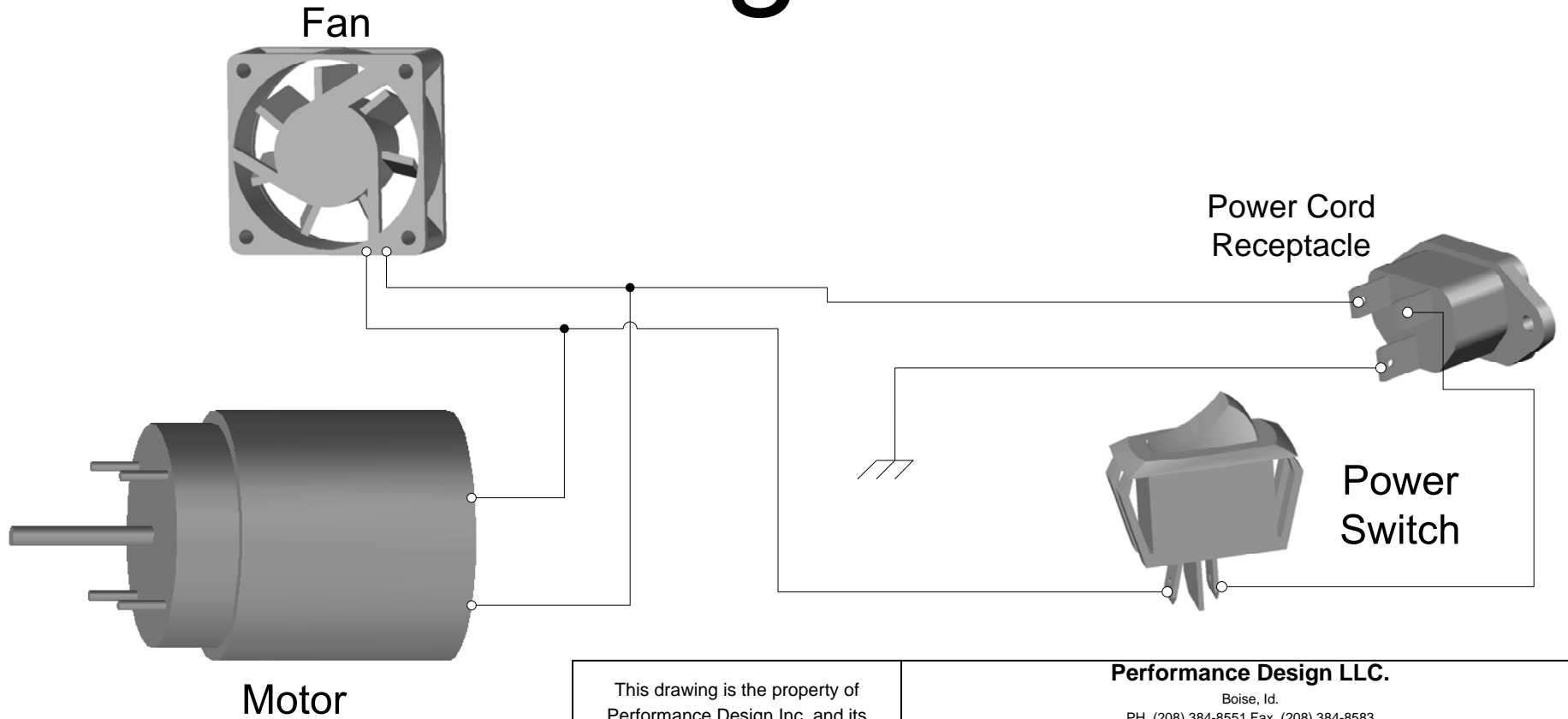
Item #	PDI P/N	Qty	Description	Notes
1	041798	1 ea	ASSEMBLY, JACK SHAFT	
2	001646	1 ea	Belt, 1/8 Diam X 9 Urethane	
3	941706	1 ea	PLATE,TORTION BAR	
4	041714	1 ea	ROLLER,SMALL	OW 2X#6
5	041712	1 ea	BAR,TORTION	
6	001400	2 ea	PIN, DOWEL .250 X 1.250	
7	001293	2 ea	BUSHING,FLANGE .375 X .250 X .375L	
8	041713	1 ea	BLOCK,RIGHT PIVOT ARM	OW #7&9
9	001292	1 ea	BUSHING,FLANGE .500 X .313 X .500L	
10	041702	1 ea	ROD,LATCHING HANDLE	
11	001480	1 ea	KNOB,ROUND 1.000 DIAM	

OW=ORDER WITH

Performance Design, LLC

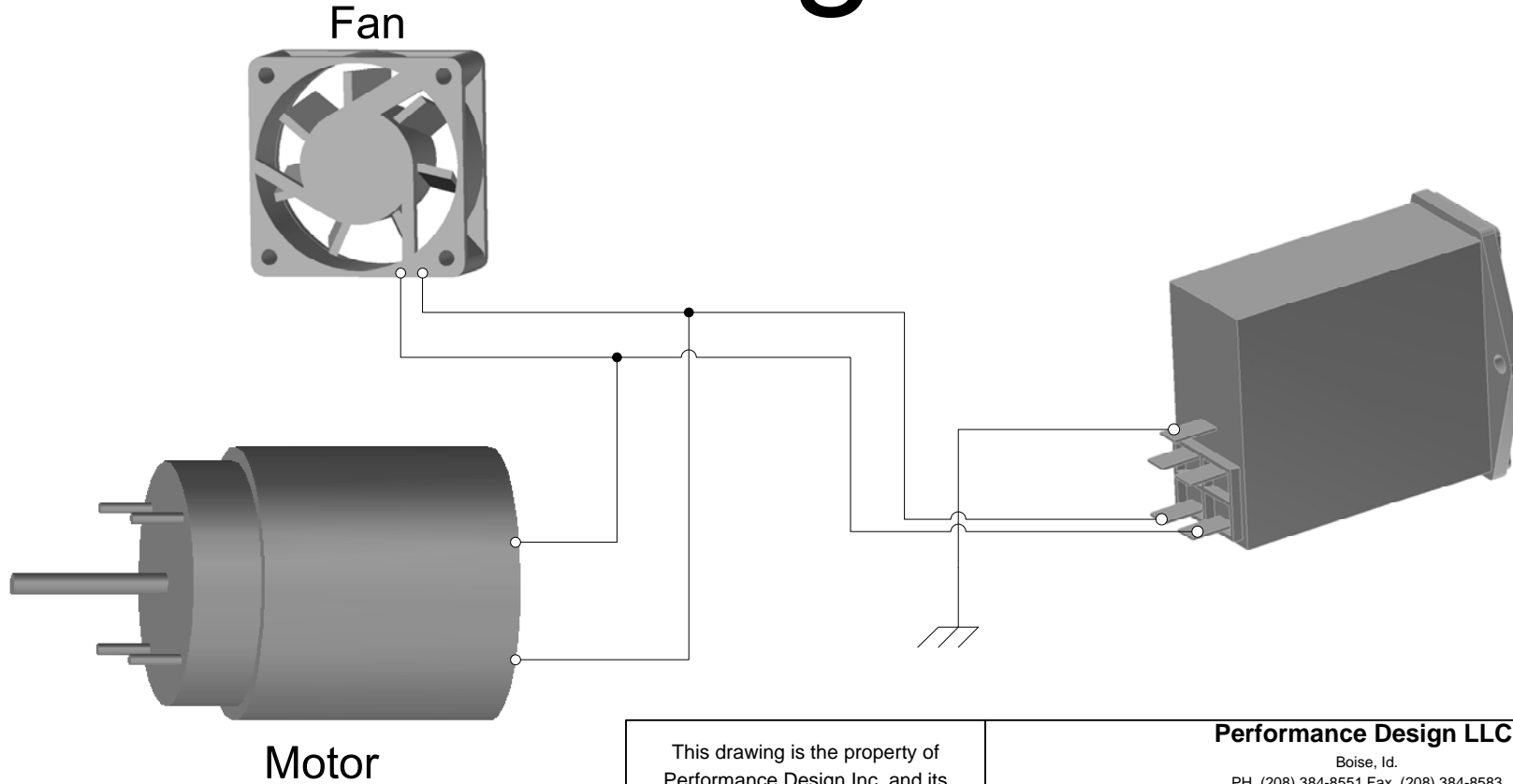
2350 E. Braniff, Boise, Idaho 83716 / 208-384-8551 / pdibind@pdibind.com / www.RHIN-O-TUFF.com

HD4170 Wiring Diagram



<p>This drawing is the property of Performance Design Inc. and its submission does not include or carry the right to make, use, or sell what is illustrated without the written consent of this company.</p>	<p>Performance Design LLC. Boise, Id. PH. (208) 384-8551 Fax. (208) 384-8583 www.rhin-o-tuff.com</p>			
	<p>Wiring Diagram for the HD4170 Coil Inserter</p>			
	SIZE	FSCM NO	DWG NO	REV
			HD4170 Wiring Diagram	1
	SCALE	NTS	1/30/2007	SHEET 1 OF 1

HD4170CE Wiring Diagram



<p>This drawing is the property of Performance Design Inc. and its submission does not include or carry the right to make, use, or sell what is illustrated without the written consent of this company.</p>	<p>Performance Design LLC. Boise, Id. PH. (208) 384-8551 Fax. (208) 384-8583 www.thin-o-tuff.com</p>			
	<p>Wiring Diagram for the HD4170CE Coil Inserter</p>			
	SIZE	FSCM NO	DWG NO	REV
			HD4170CE Wiring Diagram	1
	SCALE	NTS	1/30/2007	SHEET 1 OF 1