

hohner

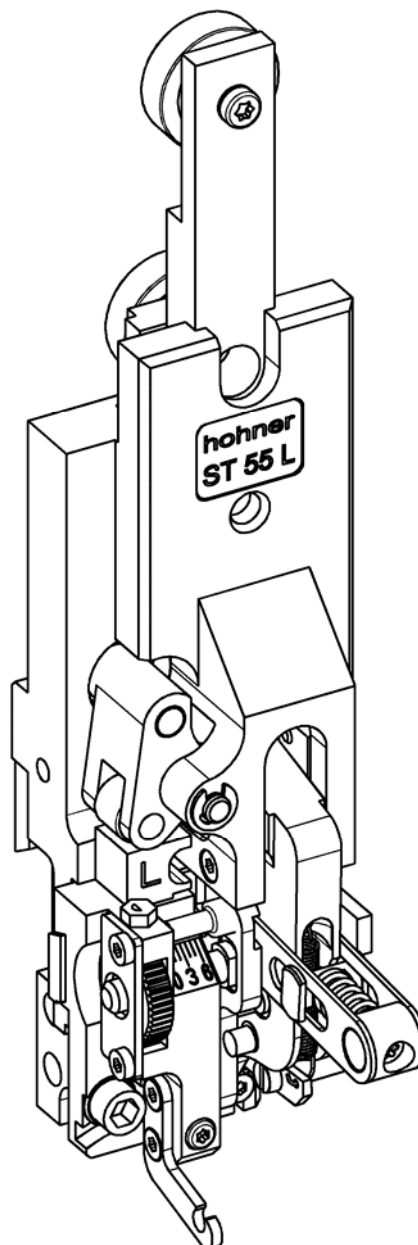
ST 55 L

Edition 04/2010

Stitching Head



CE



Customer Entries

Stitching head no:

Machine manufacturer:

Type of manufacturer:

Manufacturer' s Address

Company name: Hohner Maschinenbau GmbH

Street: Gänsäcker 19

Town: D-78532 Tuttlingen

Telephone: +49 (0) 7462 / 9468-0

Fax: +49 (0) 7462 / 9468-20

Email: info@hohner-postpress.com

Internet: <http://www.hohner-postpress.com>

Operating-Instructions

Document: Translation of the German
original Operating-Instructions

Version: 04/2010

Spare Parts / Customer Service

Service telephone no: +49 (0) 7462 / 9468-23

List of Contents

| | | |
|---------|---|----|
| 1 | SAFETY INFORMATION | 6 |
| 1.1 | Purpose of this document | 6 |
| 1.2 | The operator | 6 |
| 1.3 | Safety symbols and the displays that have been used | 6 |
| 1.4 | Obligation and liability | 7 |
| 1.5 | Correct use | 7 |
| 1.6 | Organisational measures | 7 |
| 1.7 | Safety and protective devices | 7 |
| 1.8 | Non-formal safety measures | 7 |
| 1.9 | Staff training | 7 |
| 1.10 | Parts of the equipment which are particularly dangerous | 8 |
| 1.11 | Maintenance and repair work, elimination of faults | 8 |
| 1.12 | Structural modifications to the stitching head | 8 |
| 1.13 | Cleaning the machine and the disposal of waste products | 8 |
| 2 | DESCRIPTION OF THE STITCHING HEAD | 9 |
| 2.1 | General overview | 10 |
| 2.2 | Conformity | 10 |
| 2.3 | Marking and type plate | 10 |
| 2.4 | Technical data | 10 |
| 2.4.1 | Normal stitch | 11 |
| 2.5 | Dimensional sheet | 13 |
| 2.6 | Outfitting of the stitching head | 13 |
| 2.6.1 | Basic features | 13 |
| 2.6.2 | Additional equipment | 13 |
| 3 | OPERATION | 14 |
| 3.1 | Installation of the stitching head | 15 |
| 3.1.1 | Clamping the stitching head | 15 |
| 3.1.1.1 | Lateral adjustment of the stitching head | 15 |
| 3.1.2 | Fitting the wire guide | 17 |
| 3.1.3 | Fitting the clincher box | 19 |
| 3.1.4 | Fitting the wire guide hose | 21 |
| 3.1.5 | Fitting the hose guide | 21 |
| 3.2 | Feeding the stitching wire | 23 |
| 3.3 | Removing the stitching wire | 23 |
| 3.4 | Straighten the stitching wire | 25 |
| 3.4.1 | Setting the leg length of the stitch | 27 |
| 3.5 | Setting the former | 29 |
| 3.6 | Spine centering parts | 31 |
| 3.6.1 | Installing the holding down device | 31 |
| 3.6.2 | Adjusting the holding down device | 31 |
| 4 | SERVICING | 32 |
| 4.1 | Lubrication | 33 |
| 4.1.1 | Lubricants | 33 |
| 4.1.2 | Lubrication plan | 33 |
| 4.2 | Installation and replacement of parts | 34 |
| 4.2.1 | Replacing the former | 35 |
| 4.2.2 | Replacing the driver | 37 |
| 4.2.3 | Replacing the bender | 37 |
| 4.2.4 | Replacing the knife | 39 |
| 4.2.4.1 | Rotating/Changing the flat knife | 39 |
| 4.2.4.2 | Replacing the circular knife | 39 |
| 4.2.4.3 | Adjusting the circular knife | 39 |
| 4.2.5 | Replacing the clincher | 41 |

| | |
|---|----|
| 5 FAULTS | 42 |
| 5.1 Causes and elimination of faults..... | 42 |
| SPARE PARTS LIST | E1 |

1 Safety Information

1.1 Purpose of this document

This document will inform the operator of the **Stitching Head ST 55 L** of the following:

- The safety symbols and signs
- The packing of the machine and its transportation
- The function and operation of the machine
- Commissioning the machine
- The elimination of faults which arise
- Servicing

Familiarity with this Operating Manual is thus a prerequisite for the safe and correct operation of the stitching head. It must be read carefully by the operator before the machine is commissioned. Keep the manual safely in a place where it is readily available and which is close to hand for persons working on the machine.

1.2 The operator

The **Stitching Head ST 55 L** must only be operated by trained personnel.

Training will be undertaken by the manufacturer or by persons who have been authorised by the manufacturer to undertake such training.

1.3 Safety symbols and the displays that have been used



This symbol indicates immediate danger to the life or health of persons in the immediate vicinity of the machine.

Non-observance of dangers which are so indicated can have grave consequences and can cause serious damage to health, or may even to lead to deaths.



This symbol indicates that a potentially dangerous situation has arisen.

Non-observance of dangers which are so indicated can lead to slight injuries to persons or damage to equipment.



TIP

This symbol indicates that tips on how to use the machine or particularly useful information are available.

These will help you to use all of the functions of the machine in an optimal manner.

- ***This symbol requires you to take action.***
- ***This sign serves as a symbol for listing items.***

1.4 Obligation and liability

The **Stitching Head ST 55 L** has been built according to state-of-the art technology under observance of all the recognised safety regulations. However, dangers to life and limb of the user or third parties and damage to the system or other material assets can still occur during use. The stitching head should only be used,

- for the purpose for which it was designed
- when it is in a perfect technical condition.

Faults which could reduce levels of safety when using the machine must be eliminated immediately.

Warranties and liability on the part of the manufacturer are fundamentally covered by the regulations laid down in our "General sales and delivery conditions".

Warranty claims will only be valid if the number label is affixed (number label on stitching head housing).

1.5 Correct use

The **Stitching Head ST 55 L** is designed exclusively for binding brochures and leaflets or similar items.

Any use of the machine contrary to that described above is forbidden, since incorrect use of the machine can present a danger.

1.6 Organisational measures

The user of machine is required to provide the required personal safety equipment. All existing safety devices should be checked regularly.

1.7 Safety and protective devices

All safety and protective devices must be correctly attached to the machine and should be in full working order before every start-up of the machine and **Stitching Head ST 55 L**.

Safety and protective devices may only be removed:

- After the machine has come to a standstill **and**
- As security against the machine starting up again.

1.8 Non-formal safety measures

The Operating Manual must be kept so that it is permanently at hand at the machine with **Stitching Head ST 55 L**. There are also generally valid local regulations concerning accident prevention and environmental protection measures which should be made available and observed in addition to those described in the Operating Instructions.

All safety and danger signs on the machine should be maintained in a legible condition and should be renewed where necessary.

1.9 Staff training

Only trained and instructed personnel may install, operate, set and maintain the stitching head.

Safety Information

1.10 Parts of the equipment which are particularly dangerous

There is a **risk of injury** in the area of moving parts of the stitching head.



1.11 Maintenance and repair work, elimination of faults

Undertake the required setting, servicing and inspection work on schedule.

The machine may only be operated in cycle mode during all servicing, inspection and repair work on the **Stitching Head ST 55 L**.

Always make absolutely sure **that the machine is only being operated by one person in order to avoid any influence to the machine by any other persons.**



1.12 Structural modifications to the stitching head

Changes to the stitching head, additions or modifications may only be undertaken with the manufacturer's permission.

1.13 Cleaning the machine and the disposal of waste products

The functionality of the stitching head and perfect processing of the product can only be guaranteed over a prolonged period of time if the stitching head is regularly cleaned and maintained in accordance with the standard methods of mechanical engineering.

In this regard, particular attention should be paid to the regular removal of trimmed paper residue and paper dust, as these can result in jamming of the stitching head or increased wear.



Substances and materials used (e.g. solvents and lubricants) must be handled correctly and disposed of in an environmentally friendly manner.

2 Description of the Stitching Head

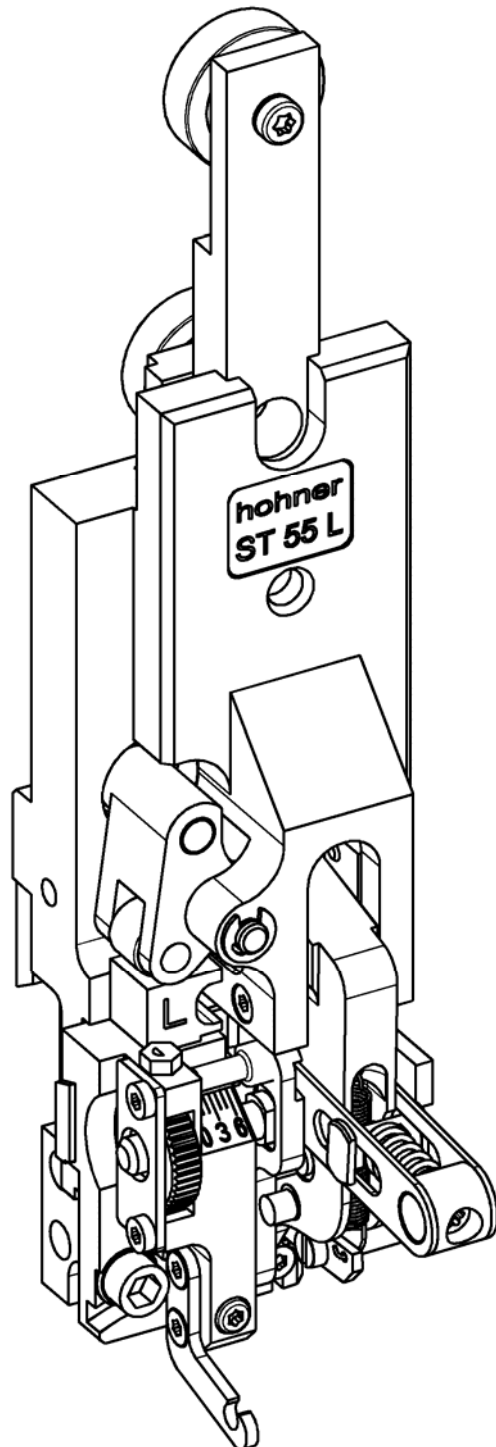


Fig. 1

Description of the Stitching Head

2.1 General overview

- Fig. 1 -

2.2 Conformity

Please observe the document attached:



TIP

"EC Declaration of Incorporation according to the EC Machinery Directive 2006 / 42 / EC"

2.3 Marking and type plate

The type plate is located at the front of the stitching head.

The stitching head serial number is located on an adhesive plate on the right side of the housing.

2.4 Technical data



ATTENTION

| | |
|----------------------------------|---|
| Net weight of the stitching head | 1,1 kg / 2.42 lbs |
| Quality of the stitching wire | Only use perfect quality classes, in normal or steel strength as required. Pay attention to abrasion resistance, as heavy abrasion will clog the wire-guidance parts. |

2.4.1 Normal stitch

| | Standard - L6 - | - L 8 - |
|--|-----------------|---------|
| Wire stitch dimensions | | |
| Max. stitch thickness | | |
| Round stitching wire No. 24 - 26 Ø 0.60 - 0.50 mm (Ø 0.024 - 0.020 in.) | | |
| Possible distances between wire stitches and stitch thicknesses in mm | | |
| With holding down device | | |
| With centering device roller | | |

Description of the Stitching Head

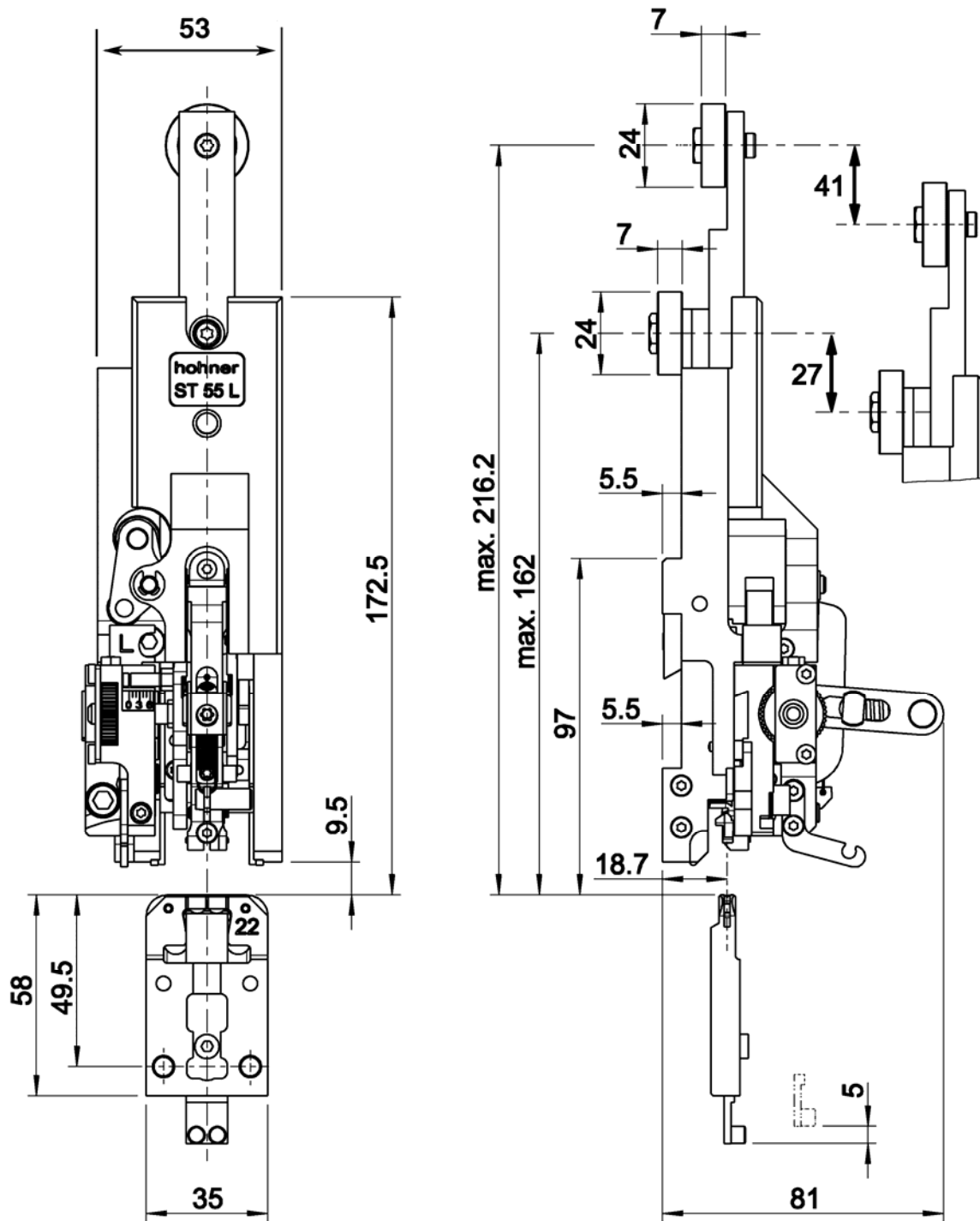


Fig. 2

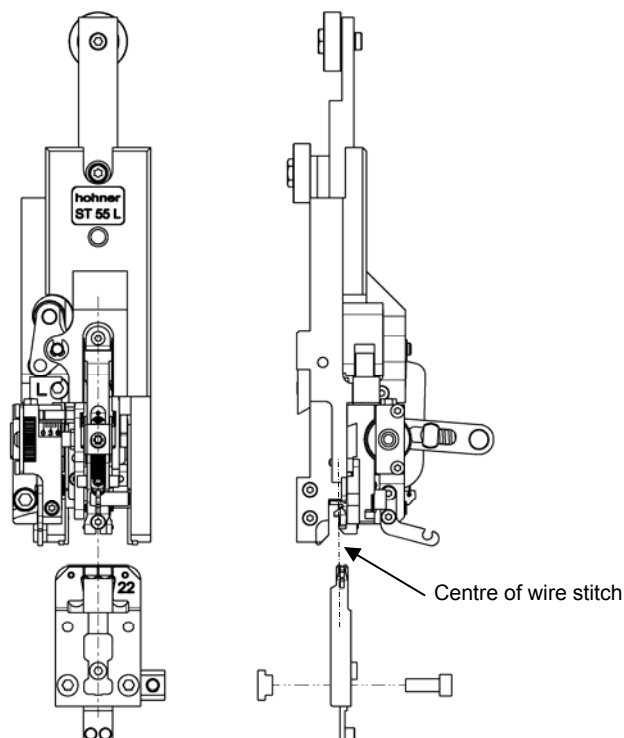


Fig. 3

2.5 Dimensional sheet

- Fig. 2 , Fig. 3-

2.6 Outfitting of the stitching head

2.6.1 Basic features

The stitching head is delivered with the following accessories:

| DESCRIPTION | ORDER NUMBER |
|-----------------------------------|---------------------|
| Distance sleeve (80 mm) | 31 55 414 |
| Clincher box adjustment gauge | 31 64 448 |
| Torsion spring | 39 55 345 |
| Allen key with T-handle SW4 x 150 | 46 00 033 |
| Torx screwdriver T10 | 46 00 044 |
| Torx screwdriver T20 | 46 00 045 |
| Holding down set, complete | 99 55 455 |
| Wire clamp, complete | 99 55 690 |
| Clincher box, complete | 99 55 692 |

2.6.2 Additional equipment

The following optional accessories are available:

| DESCRIPTION | ORDER NUMBER |
|--|---------------------|
| Tenon block rail – spacing 80 | 31 59 014 |
| Terminal strip for clincher box spacing 80 | 31 59 414 |
| Wire hose (660 mm) | 31 55 678 |
| Kit of interchange parts - L8 - | 99 55 655 |
| Hose guide, complete | 99 55 680 |
| Socket block, complete | 99 55 694 |

Operation

3 Operation

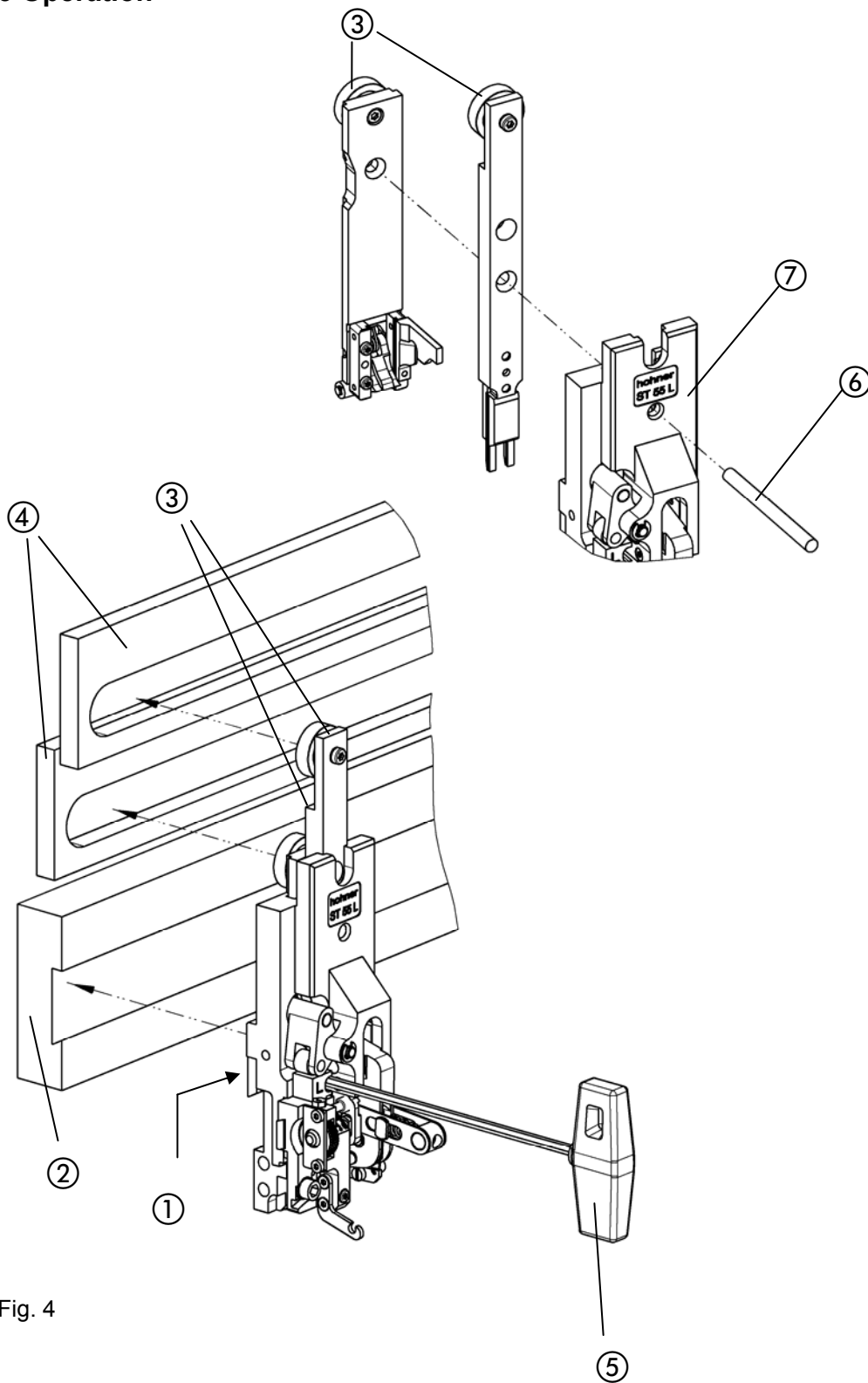


Fig. 4

3.1 Installation of the stitching head

3.1.1 Clamping the stitching head

- Fig. 4 -

The stitching head is held by a tenon block which is inserted into the stitching head mounting on the machine.

- Loosen tenon block ① with Allen key SW4 ⑤. Unscrew the screw as far as possible.
- Insert the stitching head with tenon block (top tilted to the front) in the stitching head mounting ②. The two ball bearings ③ on the stitching head must be located in the guides of the lifting bar.
- Fix stitching head in stitching head mounting by tightening the tenon block ① with the Allen key.



The stitching unit is equipped with a basic mounting position. The stitching head with its slides and the ball bearings ③ is fastened in the basic mounting position with a mounting pin ⑥.

- The mounting pin ⑥ should only be used for assembly and disassembly and must be removed **before** the stitching head is put into operation. Preserve the mounting pin carefully.



- Lead the mounting pin ⑥ through the stitching head housing and the two slides in order to fasten the basic mounting position **before removing the stitching head**.

3.1.1.1 Lateral adjustment of the stitching head

- Fig. 4 -



The center of the wire formed parts within the stitching head must be set to the desired stitching position for the wire stitch by lateral adjustment.

- Loosen the tenon block ① with the Allen key ⑤.
- Move the stitching head sideways, until the desired position is reached.
- Fix the tenon block in the stitching head mounting ② with the Allen key.

Operation

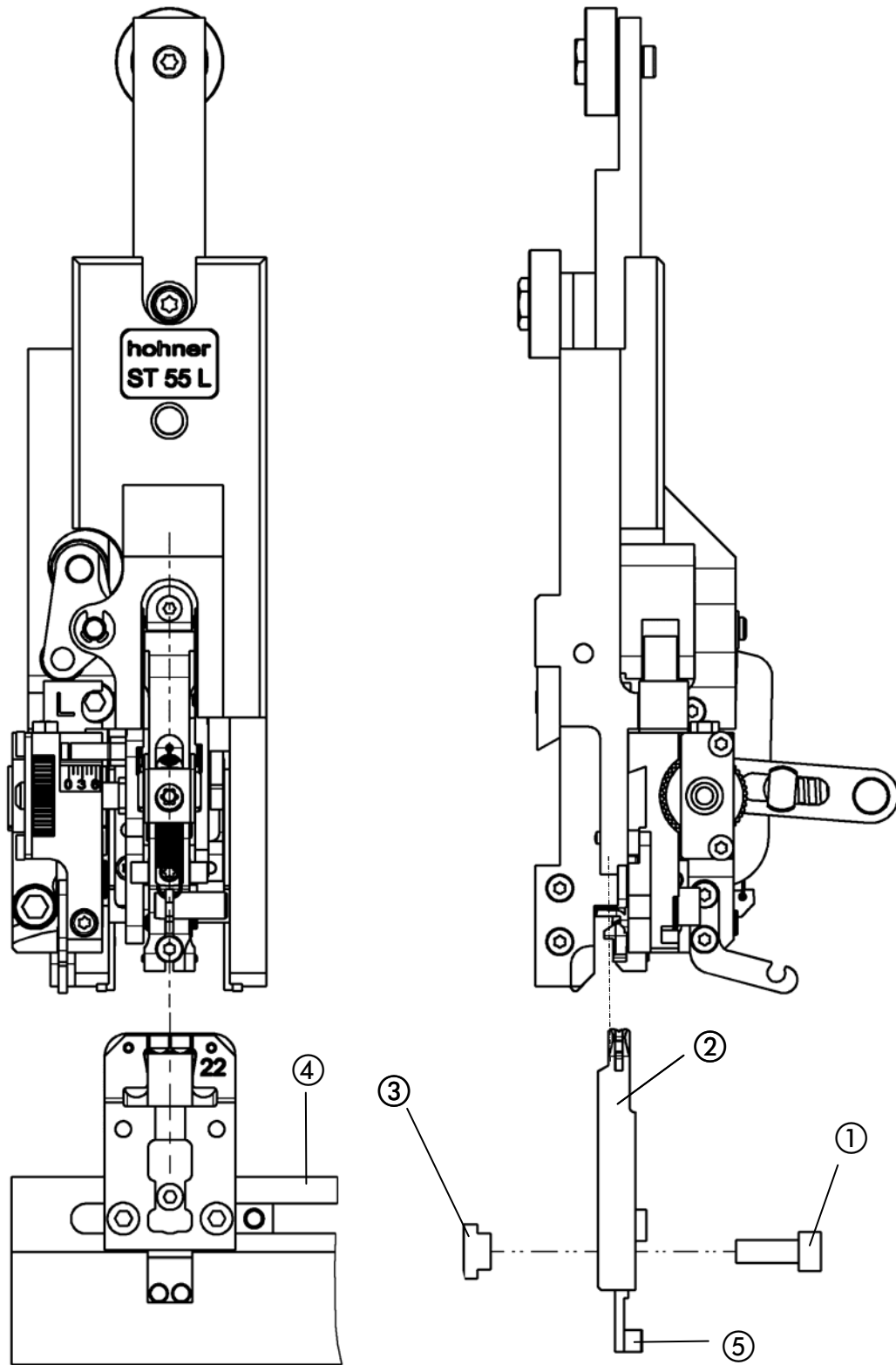


Fig. 5

3.1.2 Fitting the wire guide

- Fig. 5 -

- First remove the fastening screws ①, the clincher box ② and the tenon block ③.
- Push the tenon block ③ in the crosshead ④ from the back.
- Place the clincher box ② on the crosshead ④ from the front and make sure that the tappet ⑤ is positioned in the corresponding stroke bar.
- Fasten the clincher box ② with the tenon block ③ in the crosshead ④ by means of the fastening screws ①.

More details are given in the stitching unit operating instructions.

Operation

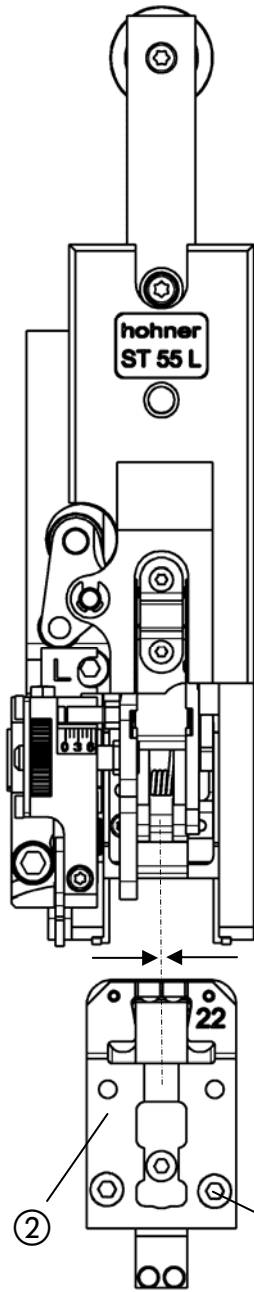


Fig. 6

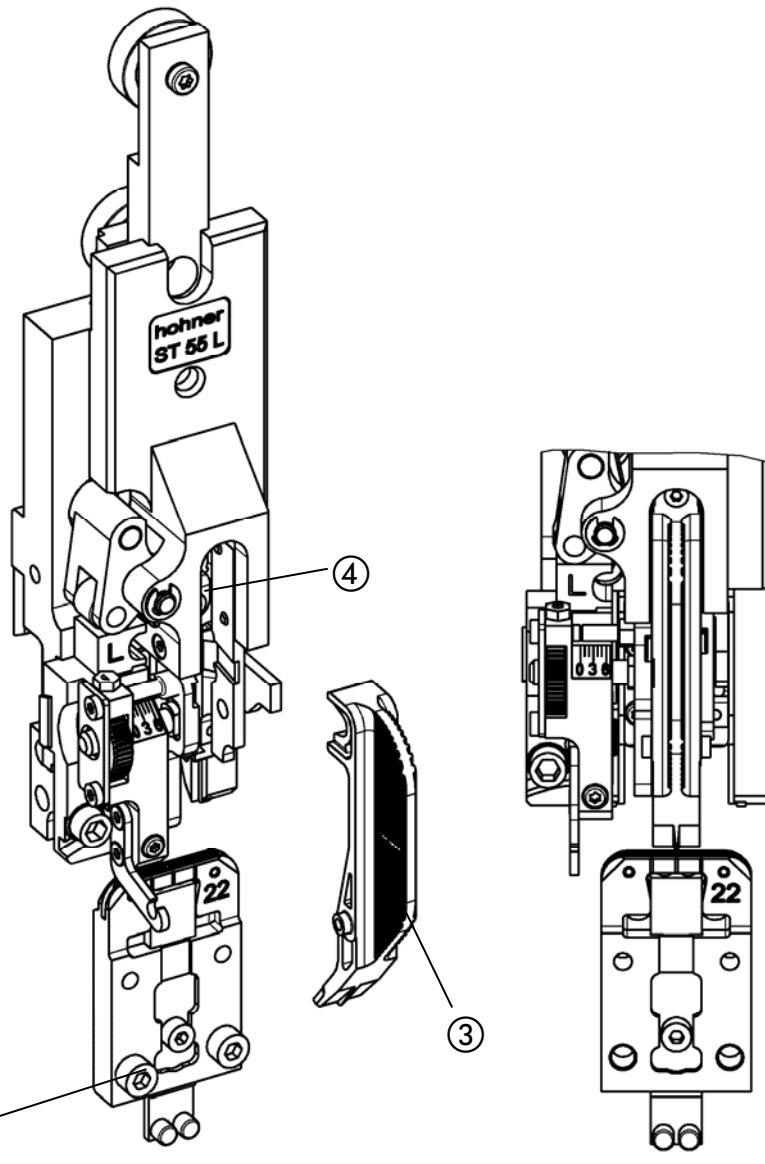


Fig. 7

3.1.3 Fitting the clincher box

- Fig. 6 -

The centre of the bender inside the stitching head must be precisely aligned to the centre of the clincher box.

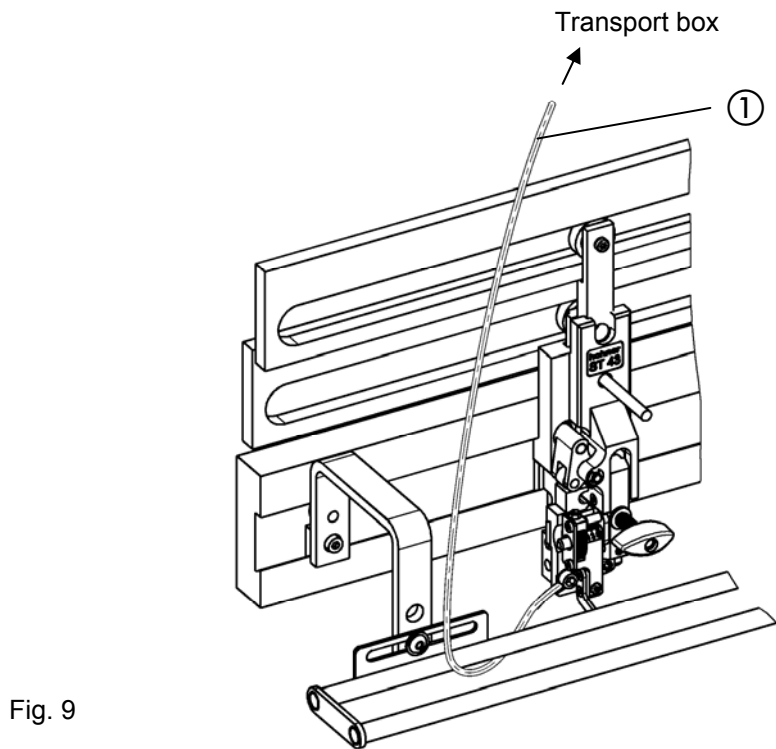
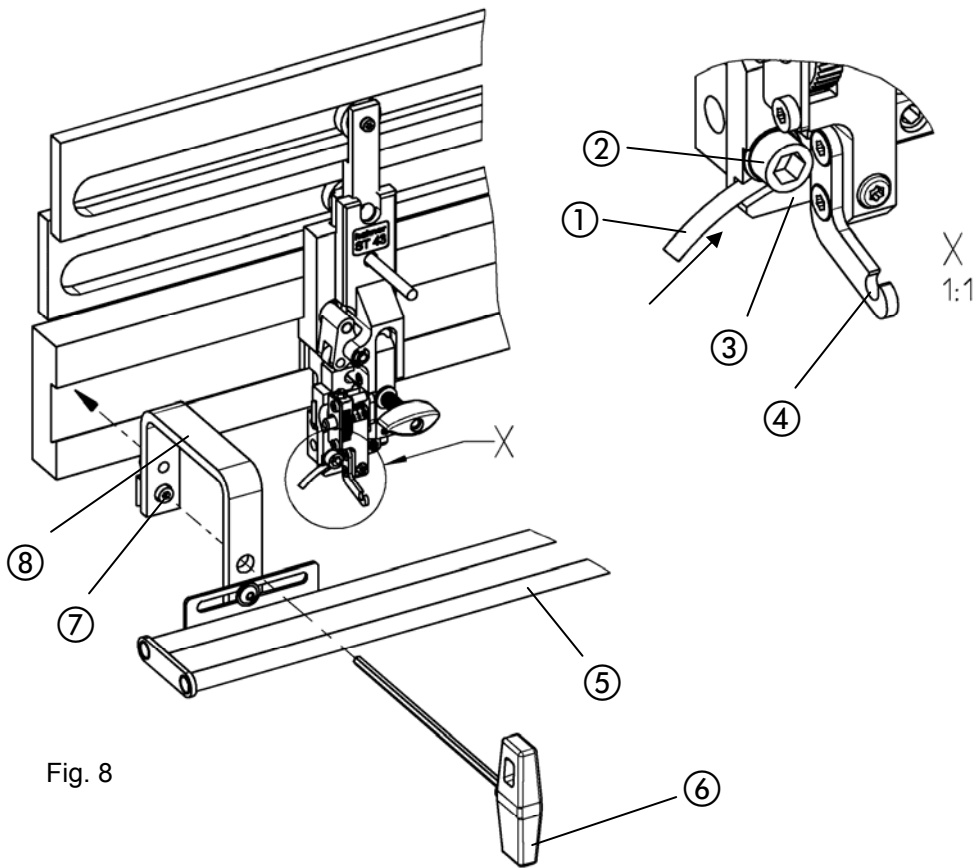
- Loosen the clamping screws ①.
- Move clincher ② box until it is precisely aligned with the centre of the bender.
- Fasten clincher box by tightening the clamping screws.

Using the clincher box setting gauge

- Fig. 7 -

- Remove former (see page 35).
- Place gauge ③ on former locating pin ④ and turn downward against stopper. The clincher box can be exactly aligned in this position when the gauge is aligned with the scale marks on the clincher box.
- Tighten clamping screws ① and remove gauge ③.
- Refit former.

Operation



3.1.4 Fitting the wire guide hose

- Fig. 8 -

Proceed as follows to attach the wire guide hose ① from the transport box (see stitching unit operating instructions) to the stitching head:



- Loosen the screw ② and unscrew the screw by one turn.
- Lead the wire guide hose ① in the channel of the knives box ③ and push the hose to the right until it touches the circular knife in the knives box.
- Tighten the screw ②. Ensure that the plain washer clamps the wire guide hose ① under the screw head.



If the distance between the stitching heads is rather narrow, the wire guide hose ① of the right stitching head should be clamped in the eye ④ of the adjacent left stitching head.

3.1.5 Fitting the hose guide

(available as option, Part No. 99 55 680)

- Fig. 8, Fig. 9 -

If several stitching heads are used a hose guide ⑤ is available as option by means of which the guidance of the wire hose guide ① can be improved. The hose guide is fitted with fastening screws ⑦ by means of a T-handle SW4 ⑥. The two holding angles ⑧ are fastened far apart from each other in the groove of the stitching head mounting. The position can be corrected in the oblong holes of the rods.

Operation

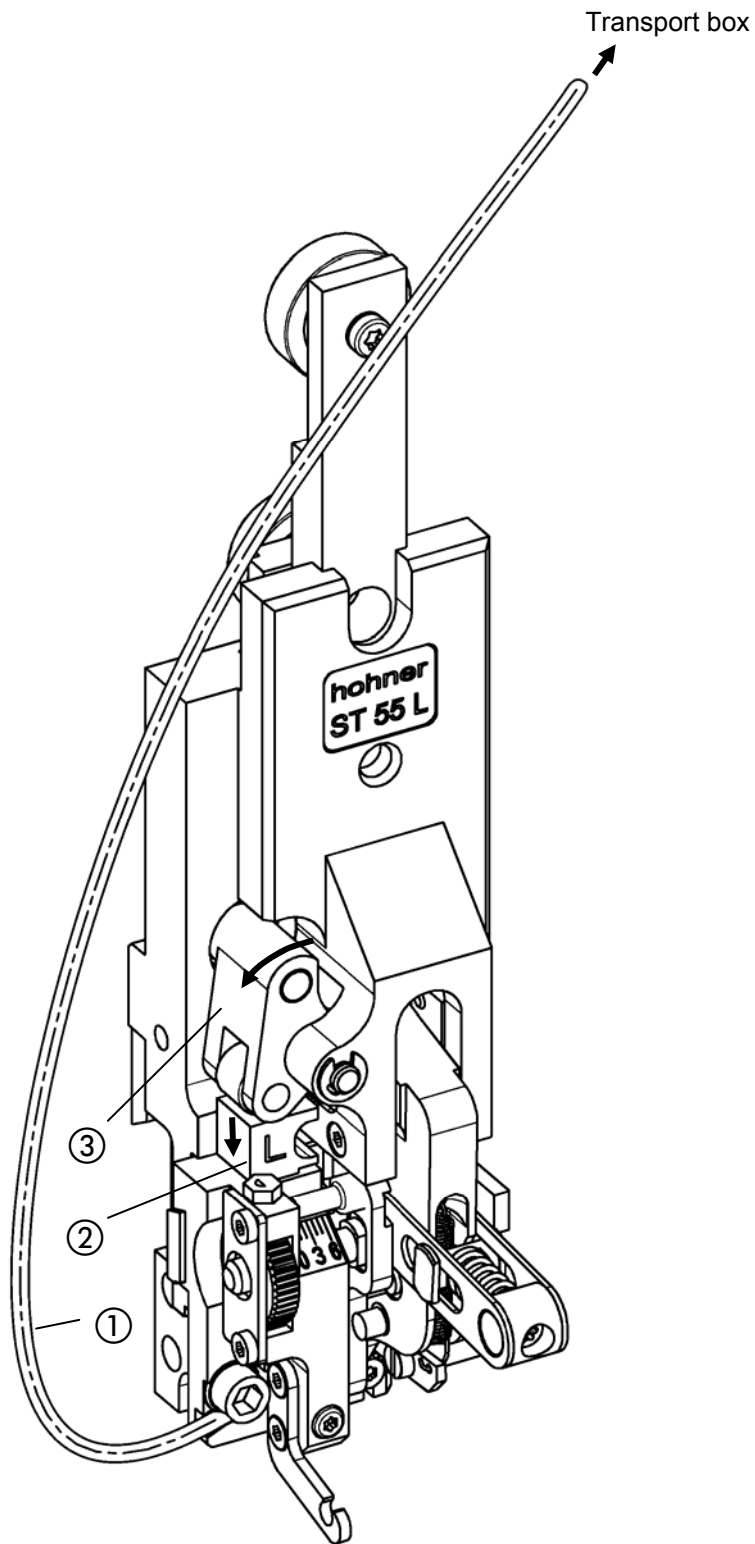


Fig. 10

3.2 Feeding the stitching wire

- Fig. 10 -



TIP

Detailed information on how to feed the stitching wire can be obtained from the operating instructions of the stitching unit.

- Operate the transport box in jog mode so that the stitching wire ① is fed in the stitching head.
- Cut off exceptionally long wire pieces by pressing down the knife slider ② (can be simplified by levering the cutting rocker ③).

3.3 Removing the stitching wire

- Fig. 10 -



TIP

Detailed information on how to remove the stitching wire can be obtained from the operating instructions of the stitching unit.

- If the stitching wire is to be removed, it is recommended to remove the wire guide hose at the top end of the transport box.

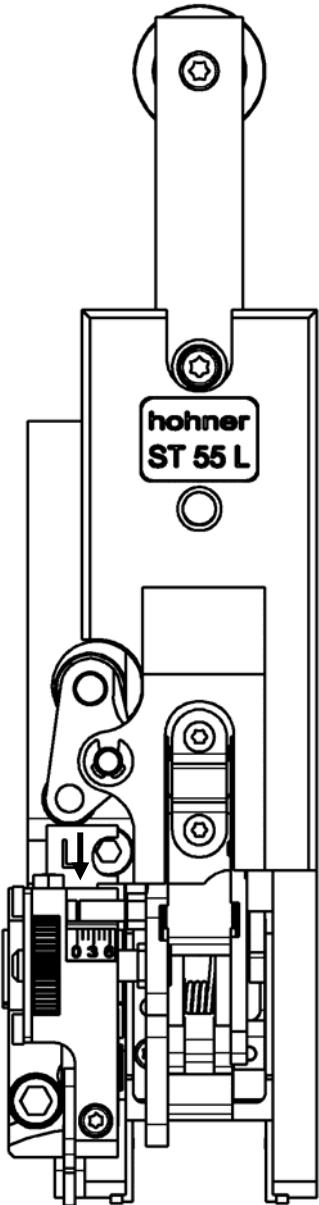


Fig. 11

3.4 Straighten the stitching wire

- Fig. 11 -

The setting of the stitch length is described in the stitching unit operating instructions (please see the respective chapter on the transport box)

.

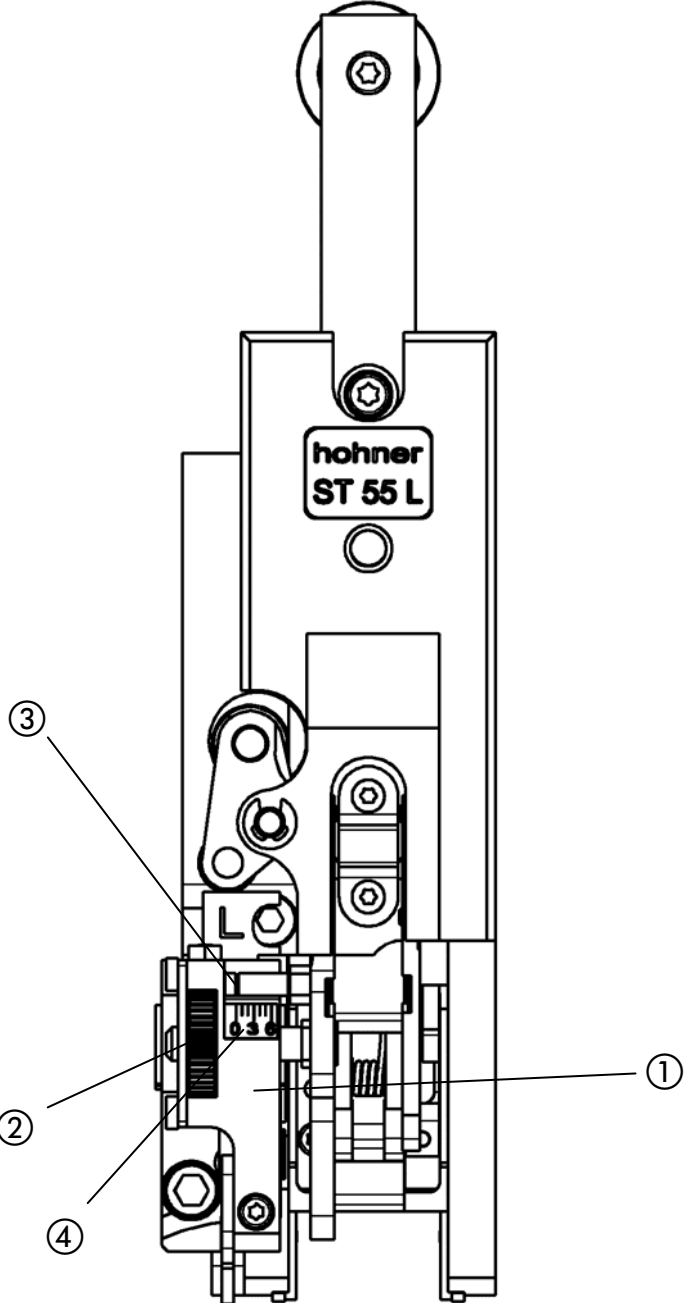
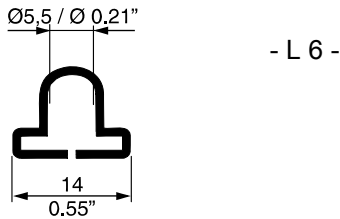


Fig. 12

3.4.1 Setting the leg length of the stitch

- Fig. 12 -

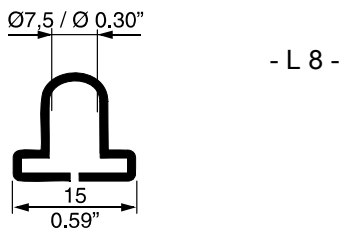
Standard stitch L 6



The leg length of the stitch is dependent on the thickness of the product to be stitched. The knife box ① can be adjusted in order to adapt to the thickness of the product. The **notch** in the scale pin ③ marks the set value of the stitch thickness in mm on the scale ④ (0 – 6).

- Adjust the knives box ① by turning the knurled wheel ②, until the **notch** of the pin ③ reads the value of the required stitch thickness (in mm) on the scale ④.

Stitch L 8



The leg length of the stitch is dependent on the thickness of the product to be stitched. The knife box ① can be adjusted in order to adapt to the thickness of the product. The **end** of the scale pin ③ marks the set value of the stitch thickness in mm on the scale ④ (0 – 6).

- Adjust the knives box ① by turning the knurled wheel ②, until the **end** of the pin ③ reads the value of the required stitch thickness (in mm) on the scale ④.

Stitch L 6 / L 8

- Test the leg length by a test stitch.
- Set the stitch to precisely the same leg length by turning the knurled wheel.



set higher value



set lower value

Operation

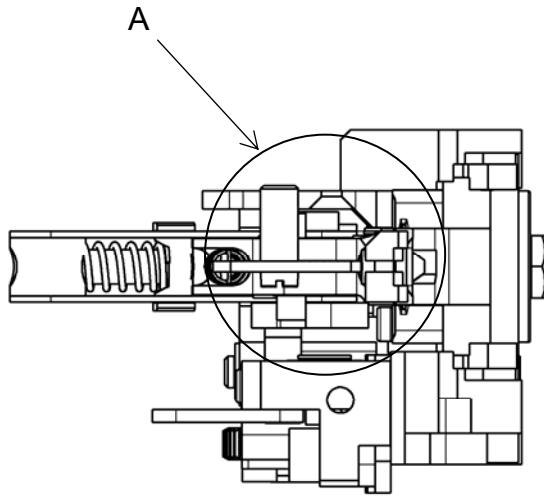


Fig. 13

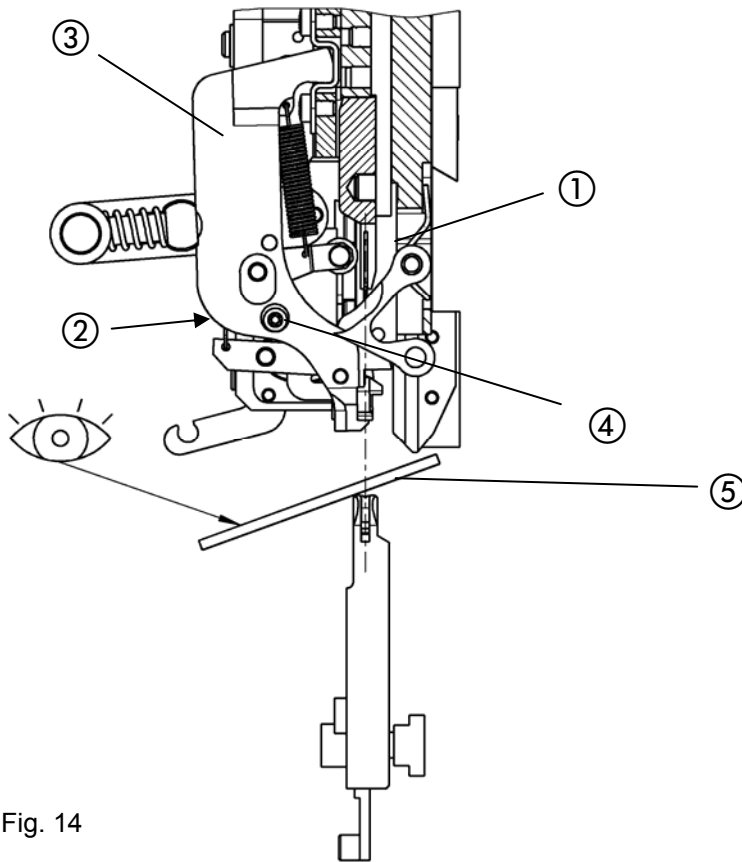
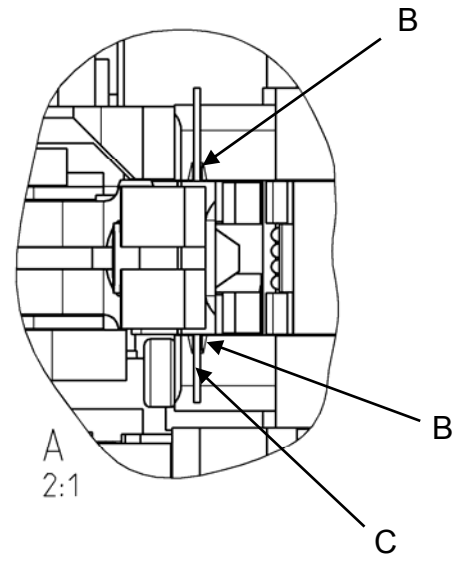


Fig. 14

3.5 Setting the former

- Fig. 13, Fig. 14 -

To guarantee perfect stitching, the former ③ must swivel in far enough for the stitching wire (arrow B) to be positioned exactly beneath the center of the groove (arrow A) of the bender ①.

A mirror ⑤ placed on the clincher box can be used to check the setting on the fitted stitching head. The former ③ must keep the wire (arrow B) exactly aligned with the groove (arrow A) of the bender ①.

- Loosen the clamping screw ②.
- Turn the eccentric former stop ④ until precisely aligned.
- Tighten the clamping screw ②.



TIP

When changing the stitching wire thickness, the former setting should be checked and corrected if necessary.

Operation

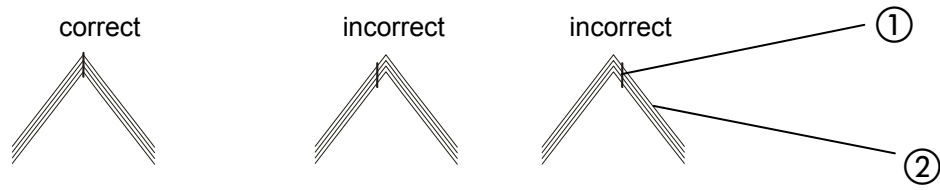


Fig. 15

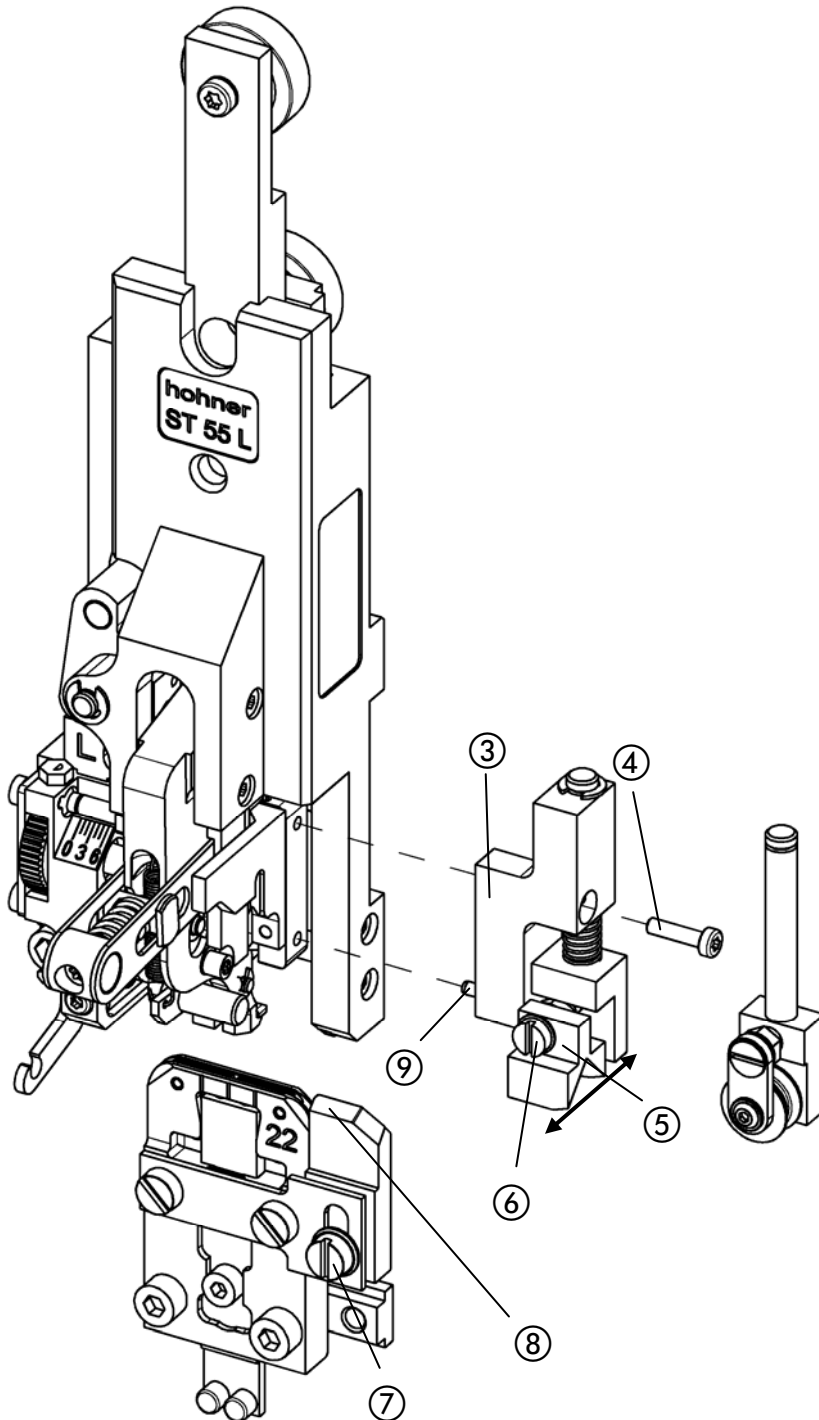


Fig. 16

3.6 Spine centering parts

The centering parts are only used for saddle stitching. They serve to precisely position the staple ① in the fold centre of the sheets ② (- cf. 15 -)

3.6.1 Installing the holding down device

- Fig. 16 -

- In order to install the holding down device ⑪, insert the guide pin into the borehole on the bender and tighten the fastening screw ⑫.

3.6.2 Adjusting the holding down device

- Fig. 16 -

- The centering prism ⑮ can be moved back and forth by turning the adjusting screw ⑭.
- Move the centering prism ⑮ backward or forward until it is precisely aligned with the prism of the slider ⑯.
 - Adjust the height of the prism ⑮ (approx. 0.5 mm above the clincher box) by moving it in the slot and tighten the fastening screw ⑰.

4 Servicing

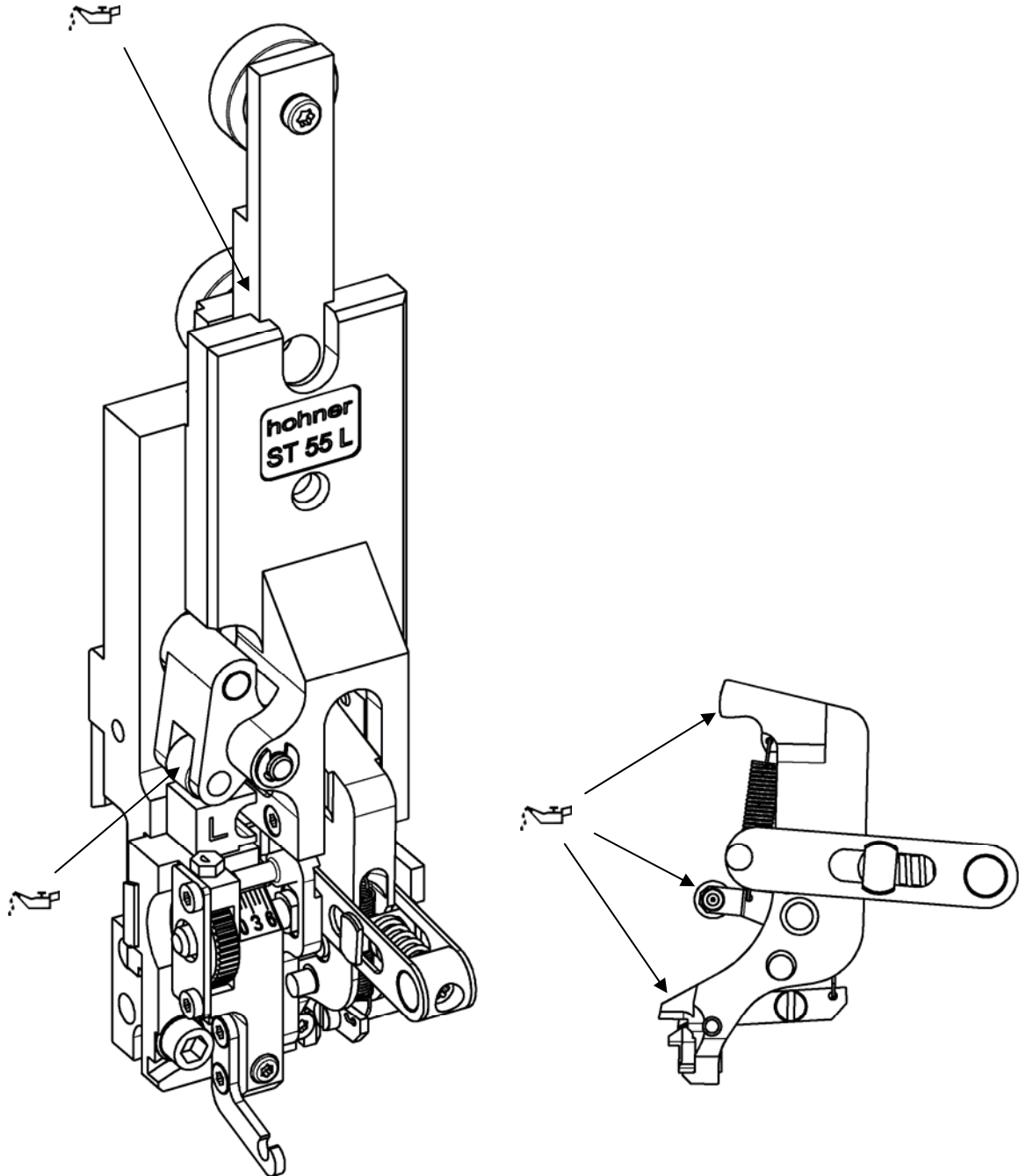


Fig. 17

4.2 Installation and replacement of parts

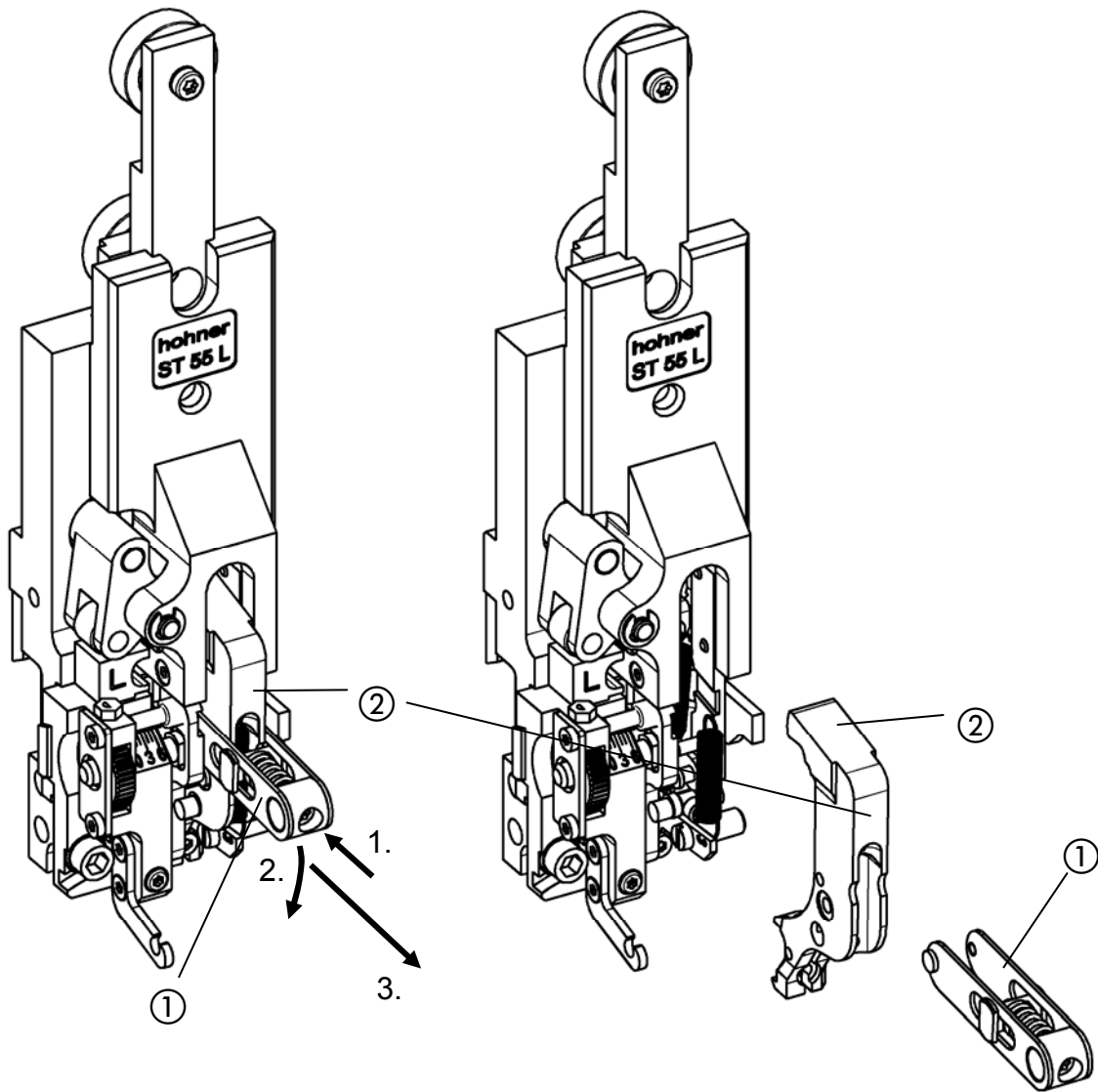


Fig. 18

Fig. 19

4.2.1 Replacing the former

- Fig. 18, Fig. 19 -

- Slightly press in gripping yoke ①, swing down and pull out.
- Remove former ② to the front.

Assembly is done in reverse order. Ensure that the former lies properly in the stitching head.



TIP

A magnet prevents the former ② from falling out.
To simplify disassembly and assembly we recommend to use your both hands.

- Adjust former according to Chap. 3.5

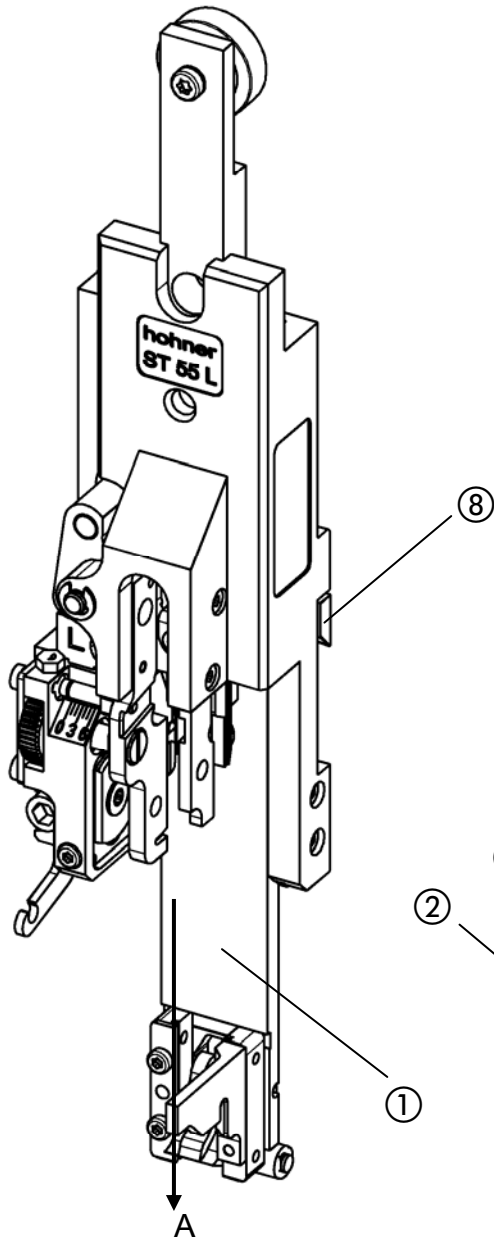


Fig. 20

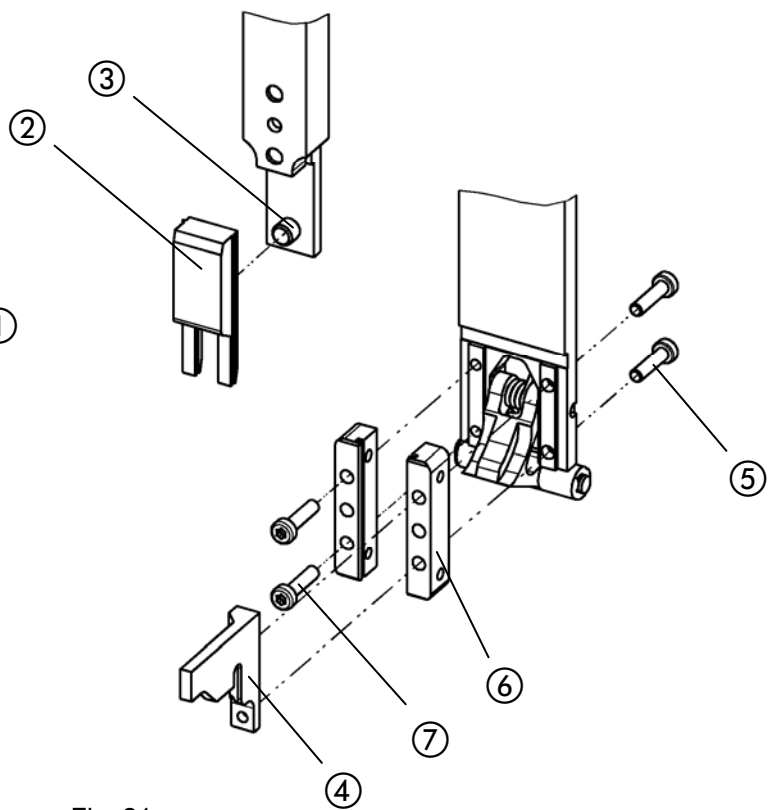


Fig. 21

4.2.2 Replacing the driver

- Fig. 20, Fig. 21 -



Driver and bender are numbered. You must ensure that only drivers with matching benders (see table below) are used, as their wire guidance grooves vary.

| | |
|--------------------------|-----------------------------|
| Round wire no. 24 - 26 | |
| Driver - L6 -: 31 55 424 | with bender - L-: 31 59 325 |
| Driver - L8 -: 31 55 464 | with bender - L-: 31 59 325 |

To replace the driver, the central slide and main slide must be pulled down completely (arrow A).

- Remove driver ② from driving pin ③.
- Replace driver ②.

Installation occurs in the reverse order.



TIP

The above-mentioned mounting work is facilitated when the centre slide and the main slide are completely pulled out of the stitching head. For this purpose the tenon block ⑧ by which the stitching head is fastened must be removed.

4.2.3 Replacing the bender

- Fig. 20, Fig. 21 -

To replace or turn the bender, the main slide ① must be pulled down completely (arrow A).

- Remove main slide ① with bender ④ downwards from stitching head (arrow A).
- Remove bender ④ by loosening the screws ⑤ + ⑦.
- Remove stop prism ⑥ by loosening the screws ⑤
- Turn or replace bender ④.

Installation occurs in the reverse order.

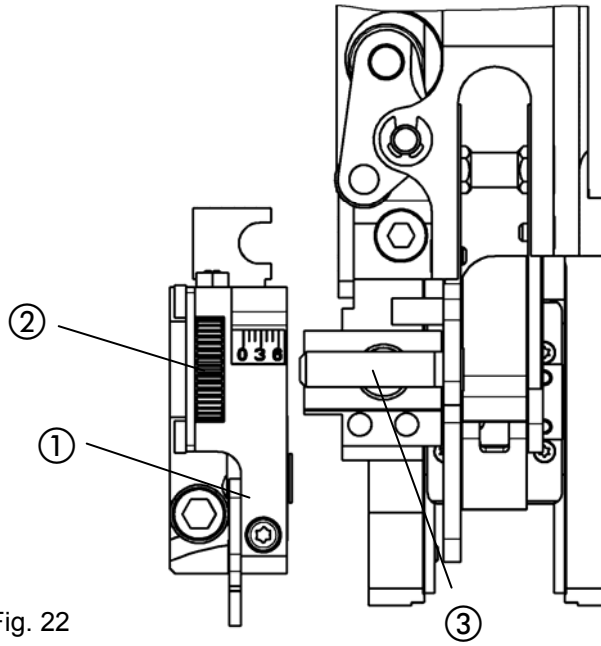


Fig. 22

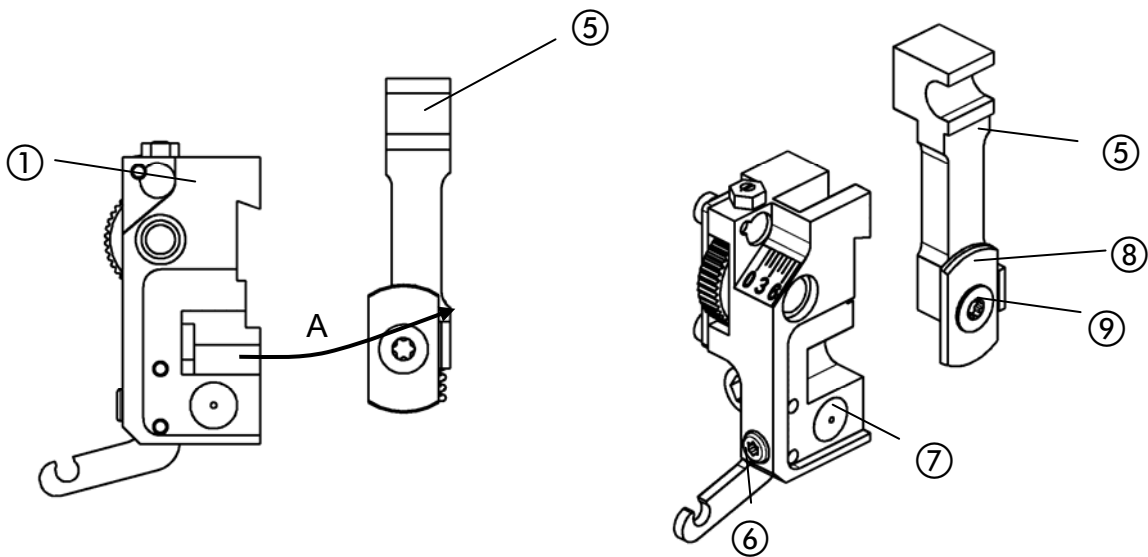


Fig. 23

Fig. 24

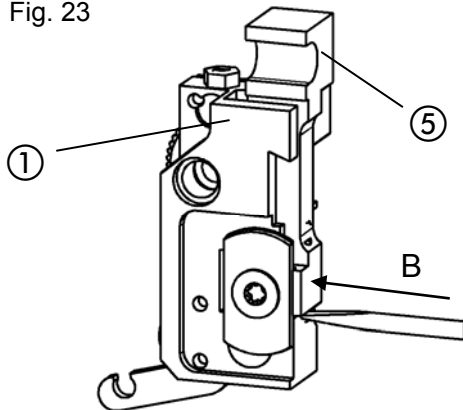


Fig. 25

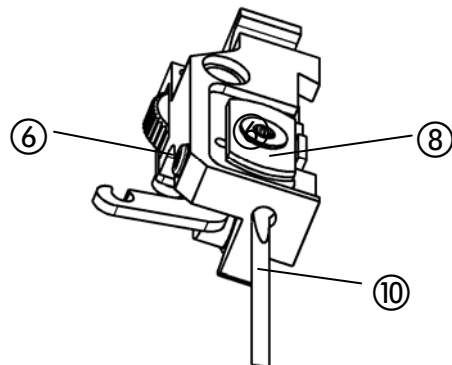


Fig. 26

4.2.4 Replacing the knife

- Fig. 22 -

- To replace the knife, move the knife box ① completely away from the guide ③ by turning the knurling wheel ② and remove from the stitching head.

- Fig. 23 -

- Push the knife slider ⑤ out of the knife box ① (arrow A)
Make sure that the pressure spring doesn't strip.



- Change the knife (see following chapter)

- Fig. 25 -

- Replace knife slider ⑤ in the knife box ① (arrow B), compressing the pressure spring of the knife slider with a screwdriver, and pushing it into the knife box. Make sure that the pressure spring is not bent.



- Fig. 22 -

- Place knife box ① on the guide ③.
- Return knife box to the desired position by turning the knurling wheel.



4.2.4.1 Rotating/Changing the flat knife

- Fig. 24 -

The flat knife has 2 cutting edges. Each cutting edge can be used three times (each slightly turned) by means of rotation.

- Loosen and unscrew fastening screw ⑨.
- Rotate or replace flat knife ⑧ and tighten fastening screw ⑨.



4.2.4.2 Replacing the circular knife

- Fig. 24 -

- Loosen the clamping screw ⑥ and remove the circular knife ⑦.
- Press new circular knife completely into the seat in the knife box.
- Adjust circular knife.

4.2.4.3 Adjusting the circular knife

- Fig. 26 -

The circular knife is adjusted so as to ensure clean cutting of the wire.

When the knives are mounted, set the clearance between the flat and circular knives by carefully "levering" with a screwdriver.

- Loosen clamping screw ⑥ and position circular knife ⑦ exactly against the flat knife by "levering" with a screwdriver.
- Tighten clamping screw ⑥.



If the distance between the knives is set too close the knife slider 5 may block and cause a wire jam.

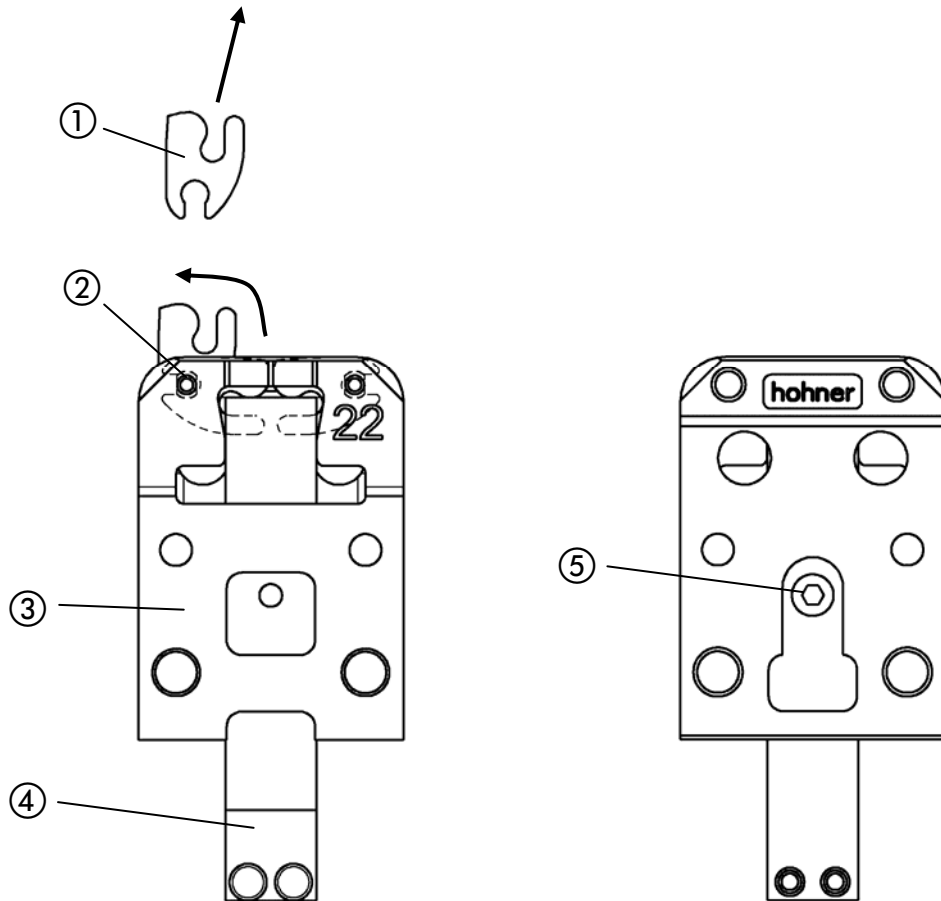


Fig. 27

4.2.5 Replacing the clincher

- Fig. 27 -

- Unscrew locking screw ⑤.
- Remove clincher ram ④ downwards.
- Turn clincher ① upwards in clincher box ③ and remove from the locking pin ②.
- Push new clincher on the retention pin and turn it up to the middle of the clincher box.
- Re-introduce clincher ram.
- Screw in and tighten locking screw ⑤.

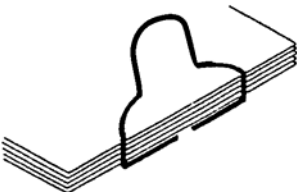
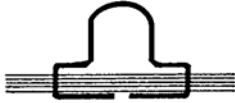















Make sure that you use the right screw-in side of the locking screw ⑤.

5 Faults

5.1 Causes and elimination of faults

Below you will find some examples of faults, with information on the potential cause. If various causes come into consideration, sometimes several suggestions may be made for the remedy: You should not follow all of these before testing the result, but proceed step by step, with intermediate testing. Worn parts should always be replaced.

| Stitch | Fault | Potential cause and elimination of the fault |
|---|---|---|
|  | Back of stitch is bent in a banana shape: | <ul style="list-style-type: none"> - Weak or soft wire. - Circular or flat knife worn, cf. 4.2.4. - Shoe tongue pressure too weak: remove obstructing wire pieces or replace pressure spring in shoe tongue. - Wire groove in driver soiled, worn or damaged: remove driver, cf. 4.2.2. Clean driver groove or replace driver. |
|  | Back of stitch not securely positioned: | <ul style="list-style-type: none"> - Stitching not pressed sufficiently: set stitching unit to stitch thickness. |
|  | Stitch legs are not sufficiently clinched: | <ul style="list-style-type: none"> - Stitching not pressed sufficiently: set stitching unit to stitch thickness. - Clincher is not coming up far enough: adjust clincher lift pressure on stitching unit. - Time from clincher activation to lift movement is incorrect: stitching unit must be reset by the manufacturer. |
|  | Back of stitch is not securely positioned and is sagging in a saddle shape: | <ul style="list-style-type: none"> - Stitching not sufficiently pressed: set stitching unit to stitch thickness. - Weak or soft wire. - Shoe tongue pressure too weak: remove obstructing wire pieces or replace pressure spring in shoe tongue. |
|  | Stitch legs are buckled and are not properly clinched: | <ul style="list-style-type: none"> - Weak or soft wire. - Align clincher box, cf. 3.1.3 - Different leg lengths, cf. 3.4.1 - Overall wire piece too short, cf. 3.4 - Circular or flat knife worn, cf. 4.2.4 |
|  | Wire not penetrating, resulting in loop formation: | <ul style="list-style-type: none"> - Weak or soft wire. - Bender groove blocked by wire pieces. - Circular or flat knife worn, cf. 4.2.4. - Wire groove in driver soiled, worn or damaged: remove driver: clean driver groove or replace driver, cf. 4.2.2. - Shoe tongue pressure too weak: remove obstructing pieces of wire or replace pressure spring in shoe tongue. - Align clincher box, cf. 3.1.3 |

| | | |
|---|--|--|
|  | <p>Stitch legs break off:</p> | <ul style="list-style-type: none"> - Wire too brittle: use a different wire quality. - Former blocked by pieces of wire: remove wire pieces, remove former if necessary. - Gripper spring or gripper in former defective. - Wire thickness not suitable for the wire guiding parts (bender and driver). - Adjust former to bender groove. |
|  | <p>Hump at a stitch corner:</p> | <ul style="list-style-type: none"> - Weak or soft wire. - Driver damaged, cf. 4.2.2. - Circular or flat knife worn, cf. 4.2.4. |
|  | <p>Stitch legs contract or diverge:</p> | <ul style="list-style-type: none"> - Circular or flat knife worn, cf. 4.2.4. - Align clincher box, cf. 3.1.3 |
|  | <p>Leg ends clinched the wrong way round:</p> | <ul style="list-style-type: none"> - Weak or soft wire. - Circular or flat knife worn, cf. 4.2.4. |
|  | <p>One or both legs are clinched obliquely:</p> | <ul style="list-style-type: none"> - Clincher damaged, cf. 3.1.2 - Adjustment of clincher box mounting to stitching head mounting, cf. 3.1.3 |
|  | <p>Stitch legs are clinched obliquely to the same side:</p> | <ul style="list-style-type: none"> - Adjustment of clincher box mounting to stitching head mounting, cf. 3.1.3 - Bender worn, cf. 4.2.3. |
|  | <p>Lightly bent wire pieces fall out:</p> | <ul style="list-style-type: none"> - Cutting slider jammed: circular knife set too tightly to flat knife, cf. 4.2.4.3. - Cutting rocker locked, pressure spring in cutting block defective. |
|  | <p>Wire loop between conveyor wheels and wire guidance tube:</p> | <ul style="list-style-type: none"> - Lower wire tube in cutting block has shifted: adjust slightly up or down. - Former incorrectly set, cf. 3.5 |
|  | <p>Straight wire pieces fall out:</p> | <ul style="list-style-type: none"> - Weak spring pressure on former. - Former set incorrectly, cf. 3.5 |