

**BETRIEBSANLEITUNG
OPERATING INSTRUCTIONS
INSTRUCCIONES DE SERVICE
ISTRUZIONI D'USO
HANDLEIDING
INSTRUCCIONES PARA EL MANEJO
MANUAL DE INSTRUÇÕES
NAUDOJIMOSI INSTRUKCIJA
KASUTUSJUHEND
LIETOŠANAS INSTRUKCIJA
DRIFTSINSTRUKS
DRIFTSINSTRUKTIONER
DRIFTSVEJLEDNING
INSTRUKCJA OBSŁUGI**

**KEZELÉSI ÚTMUTATÓ
NÁVOD K OBSLUZE
NAVODILO ZA UPORABO
NÁVOD NA OBSLUHU
UPUTE ZA RAD
MANUAL DE OPERATII
TREORACHA OIBRIÚCHÁIN
ΟΔΗΓΙΕΣ ΧΡΗΣΗΣ
EL KITABI
ИНСТРУКЦИИ ЗА ЕКСПЛОАТАЦИЯ
ИНСТРУКЦИЯ ПО ЕКСПЛУАТАЦИИ
取扱説明書
사용설명서
使用说明书**

SV 130

MAKE IT BECKER.



update LTD YOUR UNLIMITED PARTS SOURCE
FOR PRINT FINISHING AND PACKAGING



1.800.229.0009 | www.updateltd.com | sales@updateltd.com

 <input checked="" type="checkbox"/> AIR			

1

		<p>m³/h mbar</p>
	<p>L_{pA} </p> <p>DIN EN ISO 11203 Accuracy Class 2 K_{pA} = 3 dB(A) l ← 1m</p>	<p>SV 130/1 (Pressure) ▶ 50/60 Hz, +185/+200 mbar L_{pA} = 64.2/67.9 dB(A)</p> <p>SV 130/1 (Vacuum) ▶ 50/60 Hz, -155/-180 mbar L_{pA} = 62.6/67.8 dB(A)</p> <p>SV 130/2 (Pressure) ▶ 50/60 Hz, +265/+235 mbar L_{pA} = 66.2/67.0 dB(A)</p> <p>SV 130/2 (Vacuum) ▶ 50/60 Hz, -255/-260 mbar L_{pA} = 64.7/66.9 dB(A)</p>

2

<p>static inst. ①-④</p>		<p>dynamic installation Gebr. BECKER</p>
<p> The pump must be securely mounted at the place of installation. Physical tension on the blower housing must be avoided.</p>		
		<p>26,3 kg 58 lbs</p>

3

<p>40°C/104°F 15°C/59°F 1~ -10°C/14°F 3~</p>	<p>optional en option optionale opcional Filter</p>
<p>INLET AIR</p> <p>40°C/104°F 0°C/32°F</p>	<p>A > 100mm A > 4"</p> <p>B > 295mm B > 11½"</p>
<p>max. 800m</p> <p>max. 90%</p>	

4

5

<p> VACUUM</p>		<p> PRESSURE</p>
<p> </p>		<p> </p> <p>AIR ▶ >100°C ▶ >212°F</p> <p>optional en option optionale opcional</p>

6

Frequency > 60Hz
Please consult **BECKER**

50 Hz 230/200/230 V ~ 16 A / 16 A 3000/2850 rpm 1000/1000 W	60 Hz 230/200/230 V ~ 16 A / 16 A 3000/2850 rpm 1000/1000 W
--	--

7

3~

1~

optional

PTC

standard

Bi-metal

ON (I) - 1 2 MAX 10x/h
OFF (0) -

8

9

10

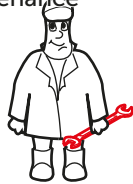


PRESSURE

G 1½


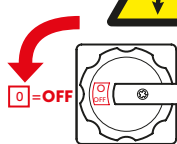




VACUUM

11


Maintenance

12

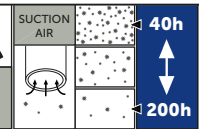







n=0min⁻¹



13

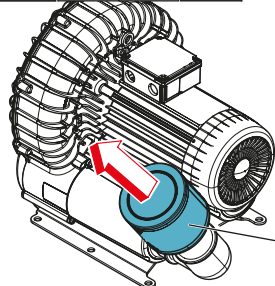
CLEANING INTERVAL



40h
↑
↓
200h

PRESSURE

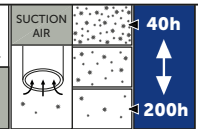
optional
en option
optionale
opcional



F1

14

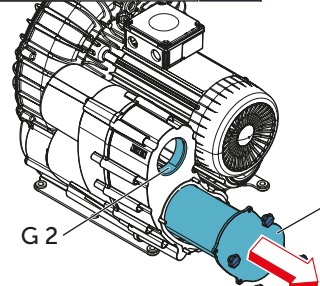
CLEANING INTERVAL



40h
↑
↓
200h

VACUUM PRESSURE


optional
en option
optionale
opcional



G 2

F2

15




F1: PRESSURE

No.: 74000501000




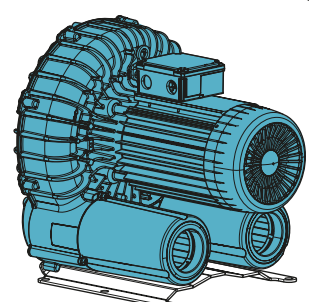
F2: VACUUM + PRESSURE

No.: 90951070000



EN149 - FFP3
42 CFR 84 - N100

16

17



WWW.BECKER-INTERNATIONAL-SHOP.COM

Gebr. Becker GmbH
Hoelker Feld 29-31
42279 WUPPERTAL
GERMANY
info@becker-international.com
www.becker-international.com





281.00.0601001 | 2021-02-05 | All rights reserved

MAKE IT BECKER.

update LTD YOUR UNLIMITED PARTS SOURCE
FOR PRINT FINISHING AND PACKAGING

1.800.229.0009 | www.updateitd.com | sales@updateitd.com

 **BECKER**
www.becker-international.com