

7000 Parts Book

Page 1

Introductory Page

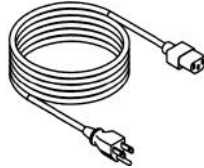
Each HD 7000 or WP 7000 package should contain the following items:

Tool, Reversing 7000/6500



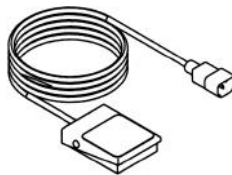
PDi Part # 001281

Cord, Power 18 Ga



PDi Part # 007090

Assembly, Foot Pedal CE/UL



PDi Part # 007031

Oil, 3 in 1



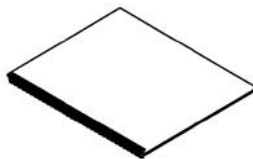
PDi Part # 001085

Brush, Acid, 1/2"



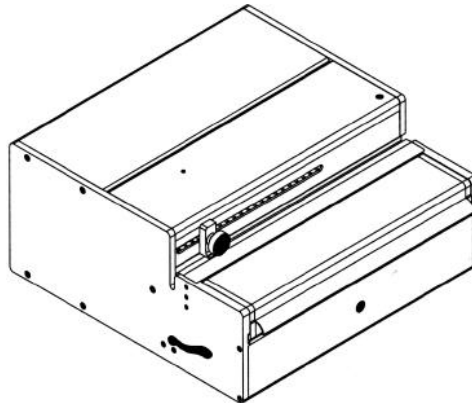
PDi Part # 001086

Book, Instruction 7000/6500



PDi Part # 001169

HD/WP 7000



PDi Part # 7000

This book is intended for Rhin-O-Tuff dealers.



Performance Design Inc.

7000 Parts Book

Page 2

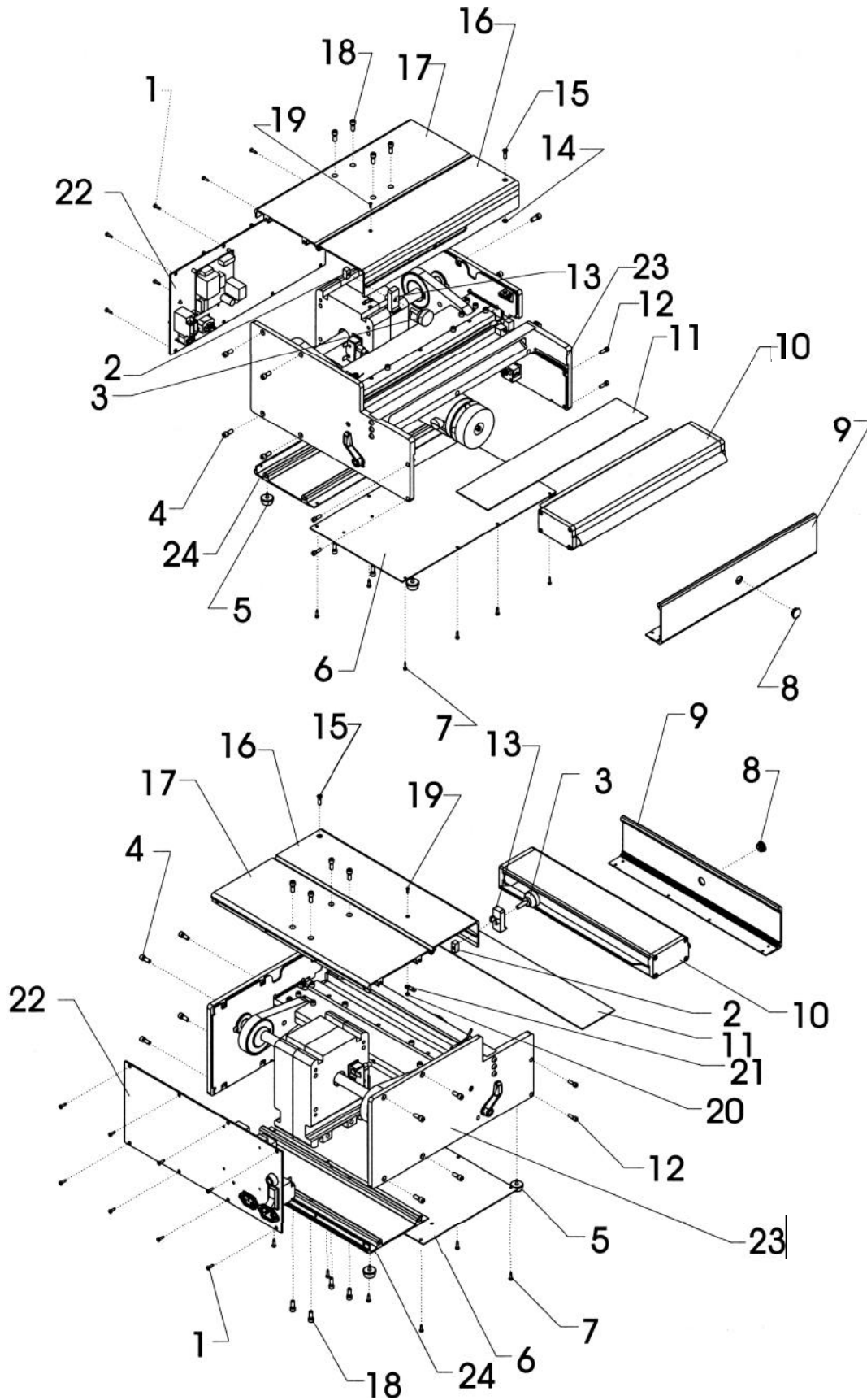
Table Of Contents

| | |
|--|----|
| Introductory Page | 1 |
| Table Of Contents | 2 |
| 7000 Final Assembly, Machine | 3 |
| 7000 Final Assembly, Machine Index & Labels Index | 4 |
| 7000 Final Assembly, Gearbox To Side Plates and Index | 5 |
| Assembly, Left Side Plate 7000 and Index | 6 |
| Assembly, Right Side Plate 7000 and Index | 7 |
| Assembly, Gearbox, Connecting Rod & Pushbar 7000 and Index | 8 |
| Assembly, Gearbox & Connecting Rod 7000 and Index | 9 |
| Assembly, Gearbox 7000 | 10 |
| Assembly, Gearbox 7000 Index | 11 |
| Assembly, Panel Electrical 7000 | 12 |
| 7000 Accessories | 13 |
| 7000 Schematic - Non UL | 14 |
| 7000 Schematic - UL | 15 |
| 7000 Schematic - UL W/PCA Board | 16 |
| 7000 Schematic - CE | 17 |

7000 Parts Book

Page 3

- 7000 Final Assembly, Machine -



7000 Parts Book

Page 4

- 7000 Final Assembly, Machine - Index

| <u>Item</u> | <u>PDi P/N</u> | <u>Qty</u> | <u>Description</u> | <u>Notes</u> |
|-------------|----------------|------------|---|---------------|
| 1 | 002060 | 8 | PPHMS, 10-32 X 1/2 Self Tap | |
| 2 | 052510 | 1 | Nut, Versaswitch | |
| 3 | 001134 | 1 | Knob, Studded 1/4-20 X 1 | |
| 4 | 002450 | 8 | Taptite, 1/4-20 X 5/8 | |
| 5 | 001050 | 4 | Foot, Rubber Screw Mount | |
| | 002060 | 4 | PPHMS, 10-32 X 1/2 Self Tap | Inside Item 5 |
| 6 | 070110 | 1 | Cover, Bottom | |
| 7 | 002060 | 8 | PPHMS, 10-32 X 1/2 Self Tap | |
| 8 | 001077 | 1 | Plug, Hole 5/8" | |
| 9 | 070040 | 1 | Panel, Front | |
| 10 | 071520 | 1 | Assy, Drawer | |
| 11 | 070270 | 1 | Plate, Chip | |
| 12 | 002440 | 4 | Taptite, 10-24 X 5/8 | |
| 13 | 071930 | 1 | Stop, Paper | |
| 14 | 001158 | 1 | Keeper, Safety Fastener | |
| 15 | 001157 | 1 | Screw, Lock Safety Fastener | |
| 16 | 070020 | 1 | Cover, Front | |
| 17 | 070010 | 1 | Plate, Top | |
| 18 | 005200 | 8 | SHCS, 1/4-20 X 5/8 | |
| 19 | 002370 | 1 | FHMS, 4-40 X3/8 | |
| 20 | 004050 | 1 | Nut, 4-40 Nyloc | |
| 21 | 007930 | 1 | Adapter, 3/16 Ring to 1/4" Spade | |
| 22 | 072330 | 1 | Assy, Panel Electrical 7000 | Page 12 |
| 23 | Page 5 | 1 | 7000 Final Assembly, Gearbox To Side Plates | |
| 24 | 070130 | 1 | Plate, Bottom | |

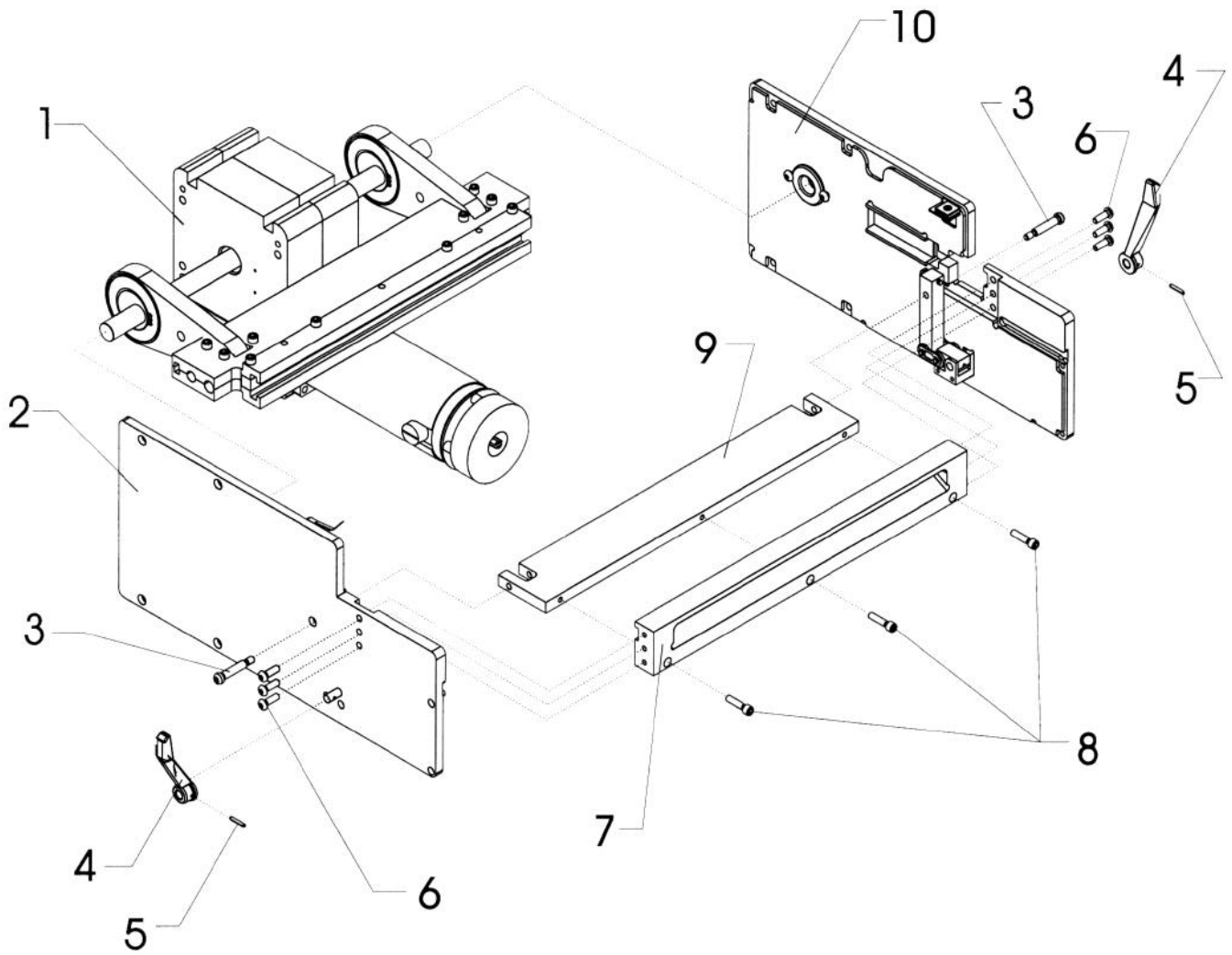
- 7000 Final Assembly, Labels - Decals are not shown in illustrations

| <u>Description</u> | <u>Where Used</u> | <u>PDi P/N</u> | <u>Qty</u> |
|---------------------------------|-------------------------------------|----------------|------------|
| Decal, Rhin-0-Tuff | Front Panel | 001125 | 1 |
| Decal, Recepticle | Electrical Panel, Foot Pedal Rec. | 001155 | 1 |
| Decal, Patent Number | Electrical Panel Upper Right | 001165 | 1 |
| Decal, Caution Electrical Panel | Electrical Panel, Centered | 001188 | 1 |
| Decal, Rhin-0-Tuff 7000 Scale | Front Cover In Groove | 070330 | 1 |
| Decal, Lock | Sideplates Near Handle | 071580 | 2 |
| Decal, Unlock | Sideplates Near Handle | 071590 | 2 |
| Decal, Reverse | Front Panel Around Hole | 071610 | 1 |
| Decal, Ground Universal | Inside Electrical Panel Near Ground | 001203 | 1 |

7000 Parts Book

Page 5

- 7000 Final Assembly, Gearbox To Side Plates -



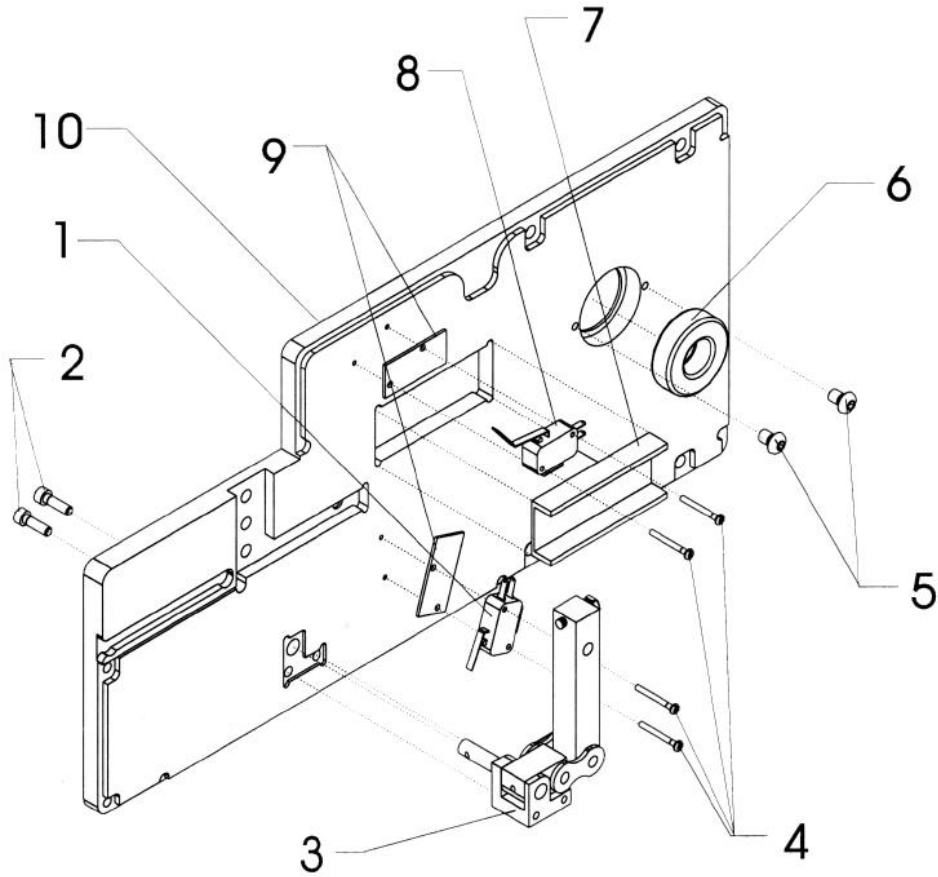
| <u>Item</u> | <u>PDi P/N</u> | <u>Qty</u> | <u>Description</u> | <u>Notes</u> |
|-------------|----------------|------------|---------------------------|---------------------------|
| 1 | 071550 | 1 | Gearbox Assy | Page 8 |
| 2 | 025590 | 1 | Left Sideplate Assy | Page 6 |
| 3 | 005530 | 2 | 1/4 X 1.1/4 Shoulder Bolt | |
| 4 | 071770 | 2 | Handle, Clamp | |
| 5 | 001062 | 2 | Pin, Roll 1/8 X 3/4 | |
| 6 | 005460 | 6 | BSHCS, 1/4-20 X 5/8 | |
| 7 | 071390 | 1 | Bar, Backup | |
| 8 | 005040 | 3 | SHCS, 1/4-20 X 1 | |
| 9* | 070230 | 1 | Plate, Die Support | For HD6500 use P/N 060100 |
| 10 | 072600 | 1 | Right Sideplate Assy | Page 7 |

7000 Parts Book

Page 6

PDi P/N 072590

- Assembly, Left Side Plate 7000 -



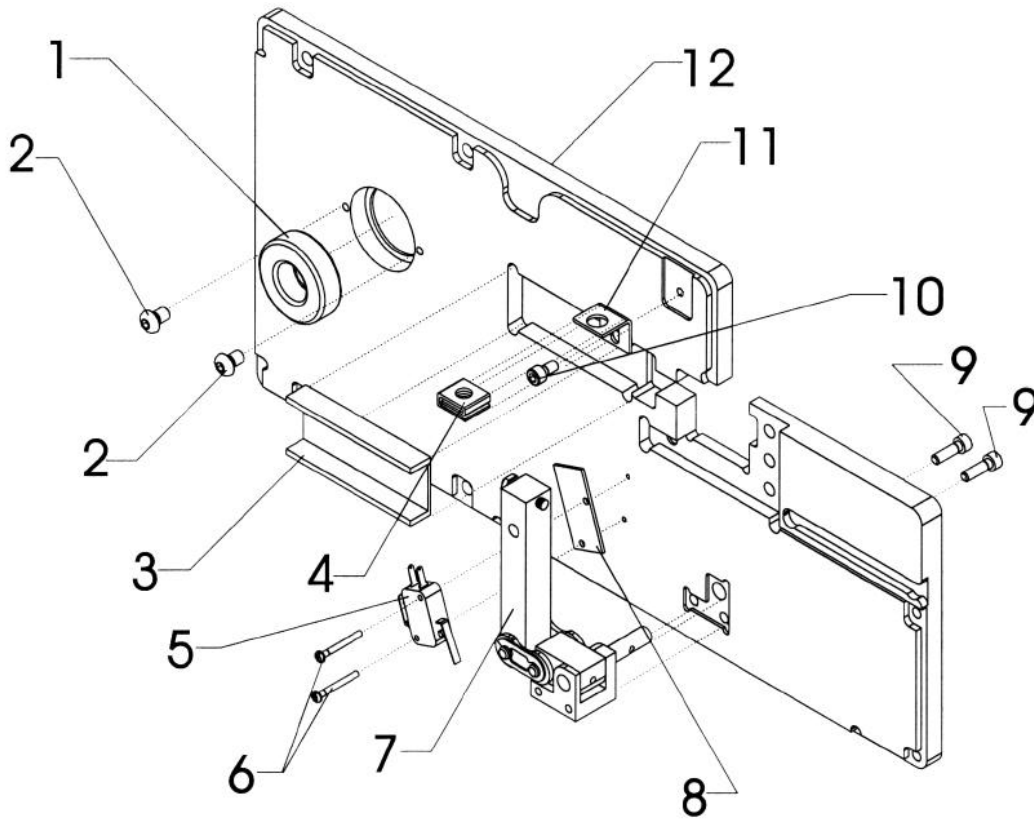
| <u>Item #</u> | <u>PDi P/N</u> | <u>Q t y</u> | <u>Description</u> | <u>Notes</u> |
|---------------|----------------|--------------|--------------------------------|--------------|
| 1 | 007240 | 1 | Switch, Safety | |
| 2 | 002440 | 2 | Taptite, 10-24 X 5/8 | |
| 3 | 072560 | 1 | Clamp Assy Left | |
| | 001062 | 1 | Pin, Roll 1/8 X 3/4 | |
| | 001330 | 1 | #60 Master Link | |
| | 002320 | 1 | SHSS, 10-32 X 1 Half Dog Point | |
| | 004160 | 1 | Nut, 10-32 Finish | |
| | 070210 | 1 | Base, Clamp Left WP 7000 | |
| | 070290 | 1 | Pivot, Clamp WP 7000 | |
| | 070300 | 1 | Shaft, Clamp WP 7000 | |
| | 070310 | 1 | Lever, Clamp WP 7000 | |
| 4 | 002480 | 4 | PPHSM, 4-40 X 5/8 | |
| 5 | 002350 | 2 | BSHCS, 10-24 X 3/8 | |
| 6 | 001052 | 1 | Bearing, Sideplate | |
| 7 | 070240 | 1 | Bushing, Sideplate | |
| 8 | 007240 | 1 | Switch, Safety(2) | |
| 9 | 001151 | 2 | Insulator, Switch | |
| 10 | 070060 | 1 | Sideplate, Left | |

7000 Parts Book

Page 7

PDi P/N 072600

- Assembly, Right Side Plate 7000 -



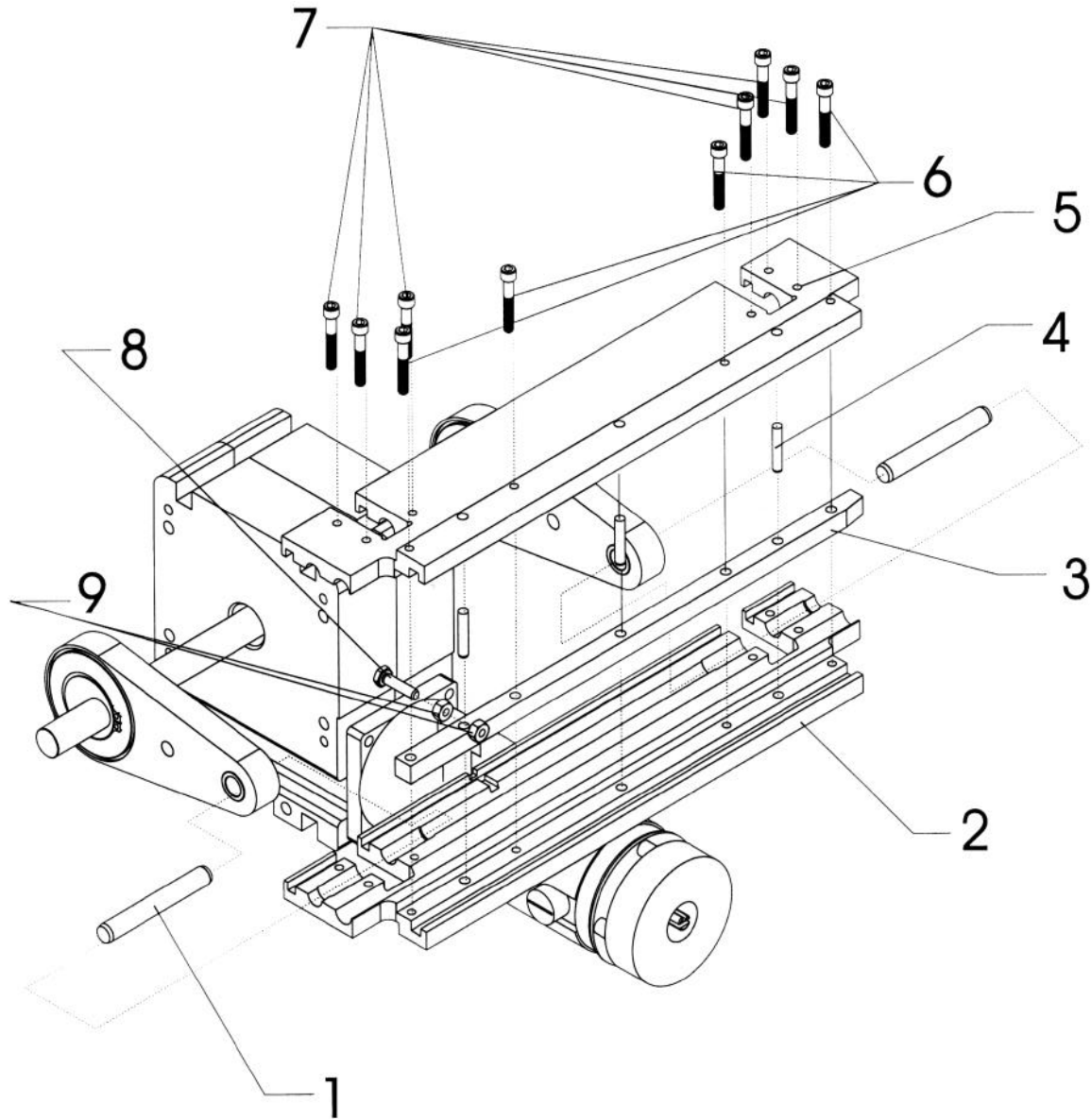
| <u>Item</u> | <u>PDi P/N</u> | <u>Qty</u> | <u>Description</u> | <u>Notes</u> |
|-------------|----------------|------------|--------------------------------|--------------|
| 1 | 001052 | 1 | Bearing, Sideplate | |
| 2 | 002350 | 2 | BHSHCS, 10-24 X 3/8 | |
| 3 | 070240 | 1 | Bushing, Sideplate | |
| 4 | 001159 | 1 | Receptacle, Safety Fastener | |
| 5 | 007240 | 1 | Switch, Safety | |
| 6 | 002480 | 2 | PPHSM, 4-40 X 5/8 | |
| 7 | 072570 | 1 | Clamp Assy Right | |
| | 001062 | 1 | Pin, Roll 1/8 X3/4 | |
| | 001330 | 1 | #60 Master Link | |
| | 002320 | 1 | SHSS, 10-32 X 1 Half Dog Point | |
| | 004160 | 1 | Nut, 10-32 Finish | |
| | 070280 | 1 | Base, Clamp Left WP 7000 | |
| | 070290 | 1 | Pivot, Clamp WP 7000 | |
| | 070300 | 1 | Shaft, Clamp WP 7000 | |
| | 070310 | 1 | Lever, Clamp WP 7000 | |
| 8 | 001151 | 1 | Insulator, Switch | |
| 9 | 002440 | 2 | Taptite, 10-24 X 5/8 | |
| 10 | 005180 | 1 | SHCS, 10-24 X 1/4 | |
| 11 | 04067R | 1 | Bracket, Safety Screw | |
| 12 | 070050 | 1 | Sideplate, Right | |

7000 Parts Book

Page 8

PDi P/N 071550

- Assembly, Gearbox, Connecting Rod & Pushbar 7000 -



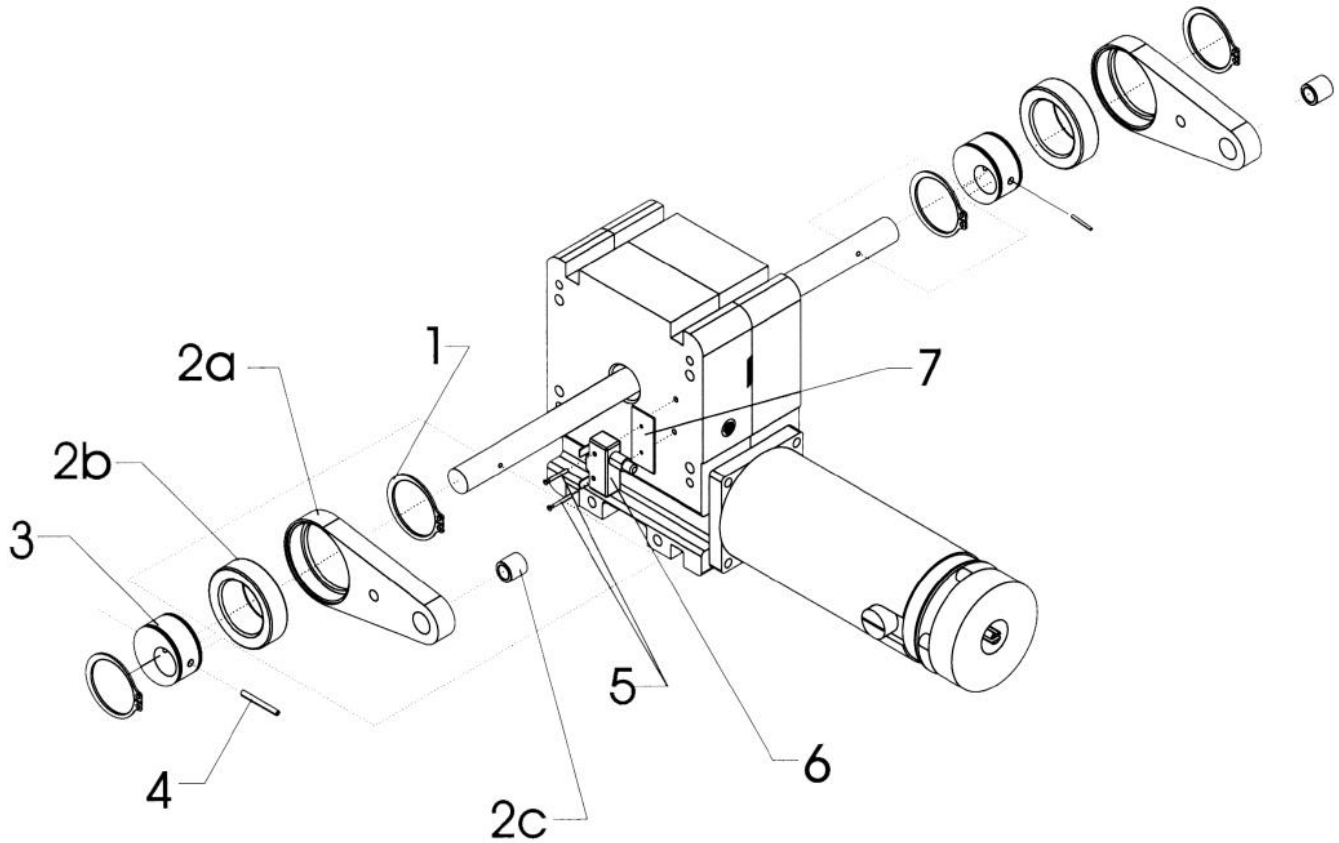
| <u>Item #</u> | <u>PDi P/N</u> | <u>Qty</u> | <u>Description</u> | <u>Notes</u> |
|---------------|----------------|------------|--------------------------|--------------|
| 1 | 001020 | 2 | Pin, Dowel 1/2" X 3" | |
| 2 | 071430 | 1 | Pusherbar, Bottom | |
| 3 | 070260 | 1 | Bar, Pin Backup | |
| 4 | 001400 | 3 | Pin, Dowel 1/4" X 1.1/4" | |
| 5 | 071420 | 1 | Pusherbar, Top | |
| 6 | 005420 | 4 | SHCS, 1/4-20 X 1.1/2 | |
| 7 | 005040 | 6 | SHCS, 1/4-20 X 1 | |
| 8 | 005540 | 1 | HHCS, 1/4-20 X 1 | |
| 9 | 004090 | 2 | Nut, 1/4-20 | |

7000 Parts Book

Page 9

PDi P/N 071550

- Assembly, Gearbox & Connecting Rod 7000 -



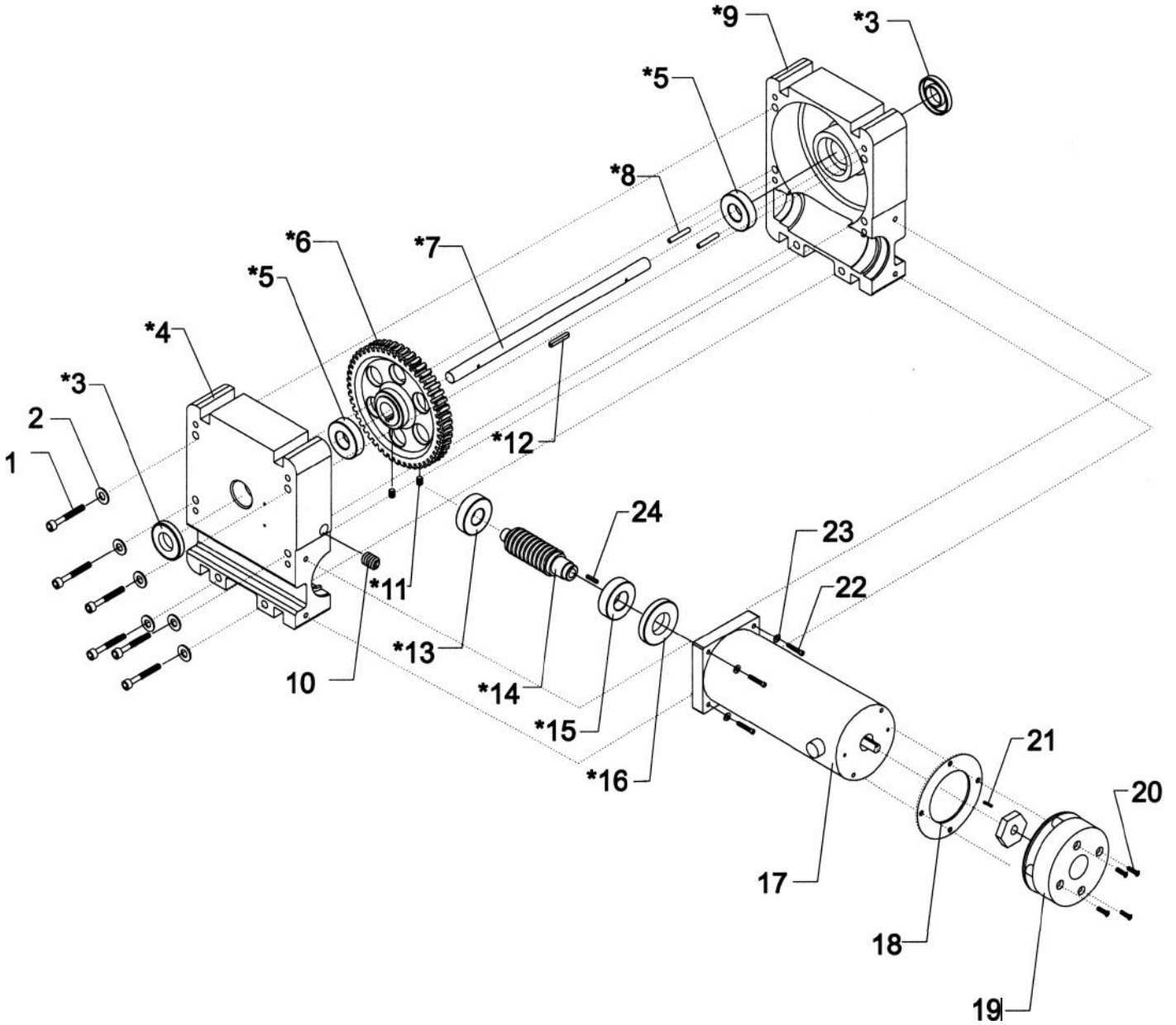
| <u>Item</u> | <u>PDi P/N</u> | <u>Qty</u> | <u>Description</u> | <u>Notes</u> |
|-------------|----------------|------------|--------------------------------------|--------------|
| 1 | 001300 | 4 ea | Retaining, Ring | |
| 2 | 071560 | 2 ea | Assy, Connecting Rod | |
| 2a | 070170 | 1 ea | Rod, Connecting | |
| 2b | 001110 | 1 ea | Bearing, Ball Connecting Rod | |
| 2c | 001390 | 1 ea | Bushing, Oilite | |
| 3 | 050060 | 2 ea | Cam, Connecting Rod | |
| 4 | 001089 | 2 ea | Pin, Roll 3/16 X 1.1/2 | |
| 5 | 002500 | 2 ea | FHMS, 4-40 X 1 | |
| 6 | 007830 | 1 ea | Switch, Stop | |
| 7 | 001152 | 1 ea | Insulator, Switch Gearbox | |
| 8 | 007930 | 2 ea | Adapter, Ring to 1/4" Spade Terminal | Not Shown |

7000 Parts Book

Page 10

PDi P/N 071550

- Assembly, Gearbox 7000 -



* It is recommended that Performance Design Inc. service these items.

7000 Parts Book

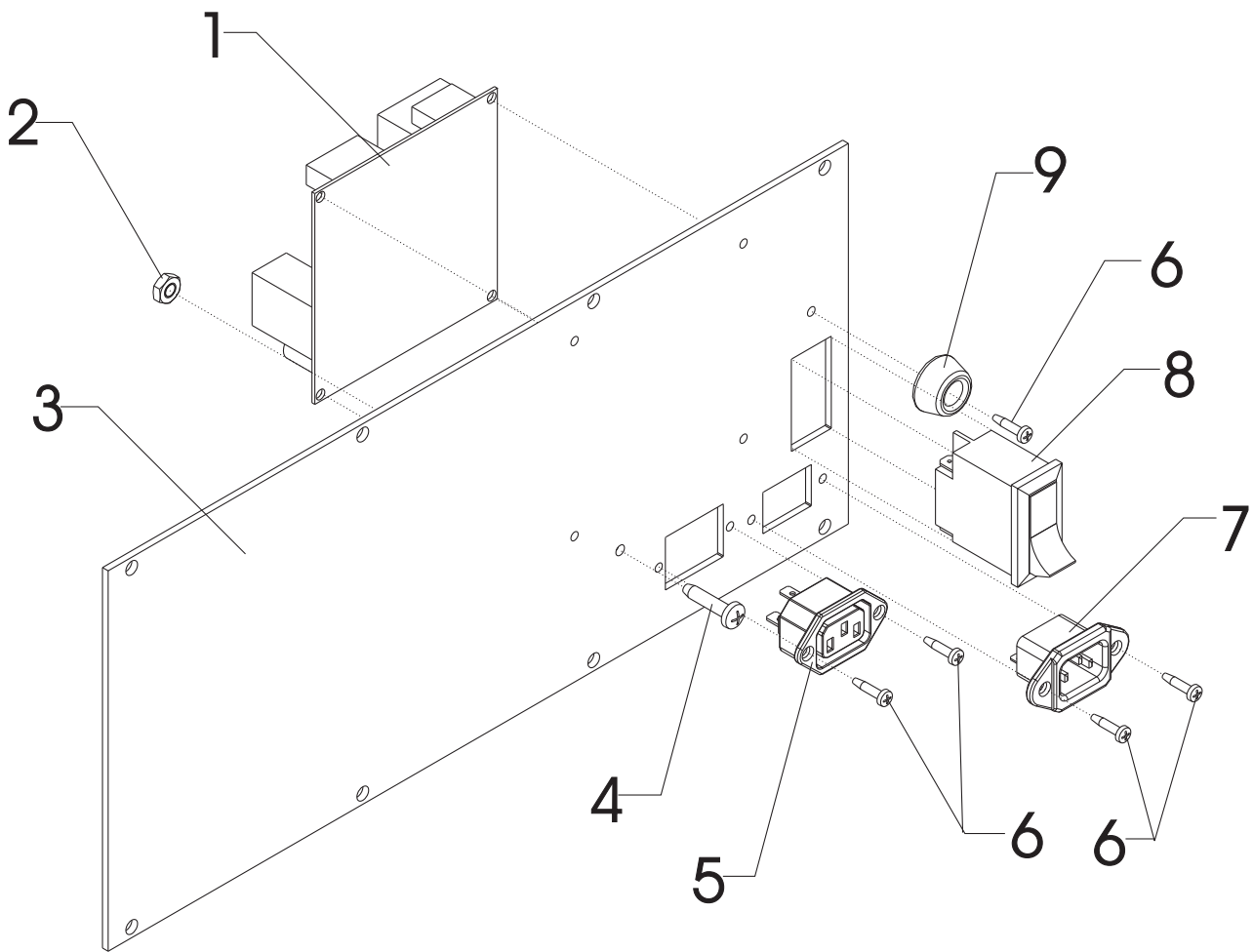
Page 11

PDi P/N 071550

- Assembly, Gearbox 7000 -
Index

| <u>Item #</u> | <u>PDi P/N</u> | <u>Qty</u> | <u>Description</u> | <u>Notes:</u> |
|---------------|----------------|------------|--------------------------------------|---------------------|
| 1 | 005320 | 6 ea | SHCS, 5/16-18 X 2.3/4 | |
| 2 | 003160 | 6 ea | Washer, 5/16 Lock | |
| *3 | 001049 | 2 ea | Seal, Gearbox Shaft | |
| *4 | 070070 | 1 ea | Gearbox, Left Side | |
| *5 | 001052 | 2 ea | Bearings, Gearbox Shaft | |
| *6 | 070190 | 1 ea | Gear,Worm 50 Tooth Double Lead | |
| *7 | 070140 | 1 ea | Crankshaft | |
| *8 | 001400 | 2 ea | Pin, Dowel 1/4" X 1.1/4" | |
| *9 | 070080 | 1 ea | Gearbox, Right Side | |
| 10 | 002250 | 1 ea | Plug, Pipe 1/4-18 X 1/2 SH | Teflon Tape To Seal |
| *11 | 002120 | 2 ea | SHSS, 10-24 X 1/4 | |
| *12 | 070360 | 1 ea | Key, Crankshaft | |
| *13 | 001048 | 1 ea | Bearing, Gearbox Aft | |
| *14 | 070200 | 1 ea | Worm Gear | |
| *15 | 001047 | 1 ea | Bearing, Gearbox Fore | |
| *16 | 001072 | 1 ea | Seal, Gearbox Pinion | |
| 17 | 007820 | 1 ea | Motor, 1/4 HP 115VDC | |
| 18 | 072400 | 1 ea | Plate, Brake Adapter | |
| 19 | 001470 | 1 ea | Brake, 115VDC | |
| 20 | 005230 | 4 ea | SHCS, 8-32 X 1.3/8 | |
| 21 | 001810 | 1 ea | Key, Brake | |
| 22 | 005040 | 4 ea | SHCS, 1/4-20 X 1 | |
| 23 | 003170 | 4 ea | Washer, 1/4 High Collar Lock | |
| 24 | 070370 | 1 ea | Key, Pinion | |
| 25 | 008190 | 3 ea | Pin, Connector 14-20 AWG Amp (Motor) | Not Shown |
| 26 | 008180 | 2 ea | Pin, Connector 18-24 AWG Amp (Break) | Not Shown |

* It is recommended that Performance Design Inc. service these items.



| <u>Item #</u> | <u>PDi P/N</u> | <u>Qty Rqd</u> | <u>Description</u> | <u>Notes:</u> |
|---------------|----------------|----------------|-----------------------------|---------------|
| 1 | 007986 | 1 ea | PCA, Control Board UL | 120 volt |
| 1 | 007988 | 1 ea | PCA, Control Board CE | 230 volt |
| 2 | 004160 | 3 ea | Nut, 10-32 Finish | |
| 3 | 072200 | 1 ea | Panel, Electrical | |
| 4 | 005410 | 1 ea | PPHMS, 10-32 X 1 | |
| 5 | 007040 | 1 ea | Recepticle, Foot Pedal Cord | |
| 6 | 002060 | 5 ea | 10-32 X 1/2 Self Tapper | |
| 7 | 007050 | 1 ea | Recepticle, Power Cord | |
| 8 | 007013 | 1 ea | Breaker, Circuit 10 Amp | |
| 9 | 001050 | 1 ea | Foot, Rubber Screw Mount | |

7000 Parts Book

Page 13

- 7000 Accessories -

8 Slot Die Rack / Organizer

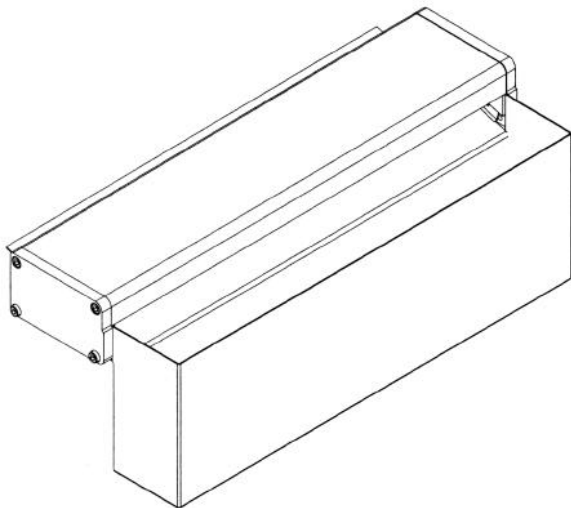
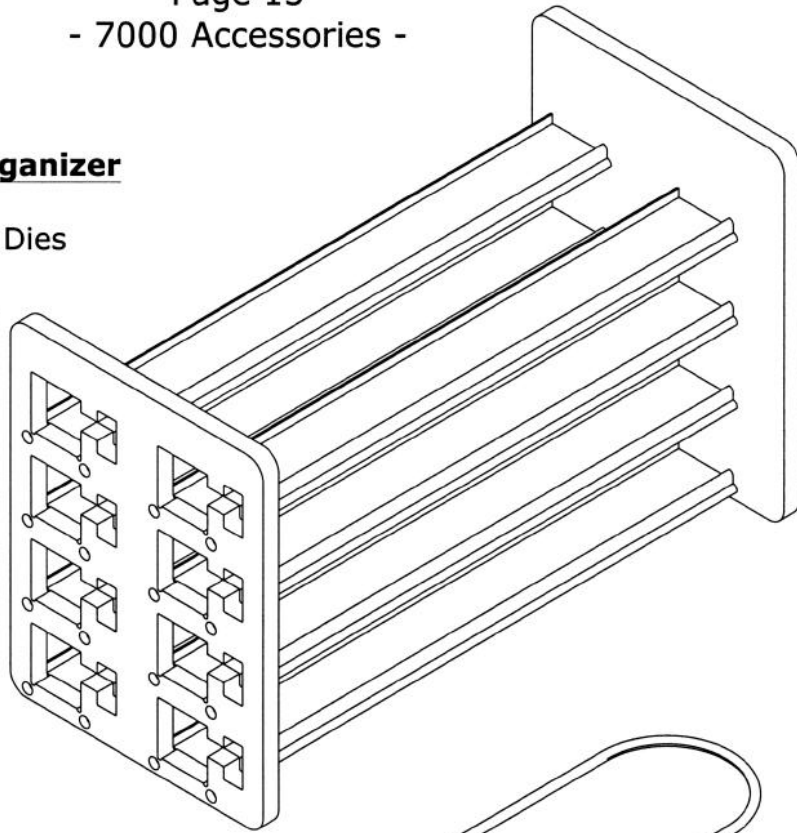
- Stores Up To Eight Dies
- Small Footprint
- Great Organization

PDi P/N 072460

4 Slot Die Rack (Not Shown)

- Wall Mountable
- Great Organization

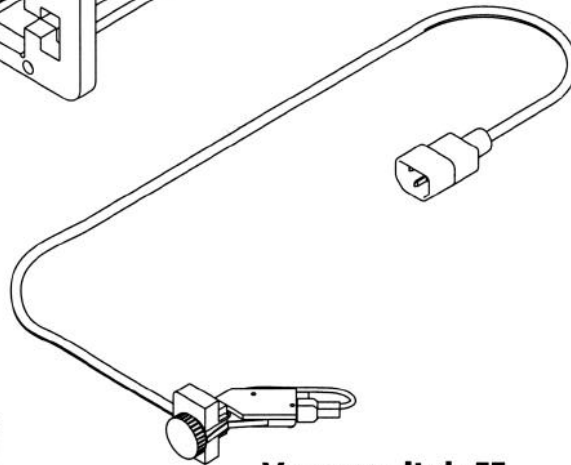
PDi P/N 072170



Commercial Chip Drawer

- Improves Waste Paper Chip Handling
- Greatly Enhances Operator Efficiency

PDi P/N 072380



Versaswitch II

- Fast Accurate Operation
- Replaces Foot Pedal
- Improves Throughput

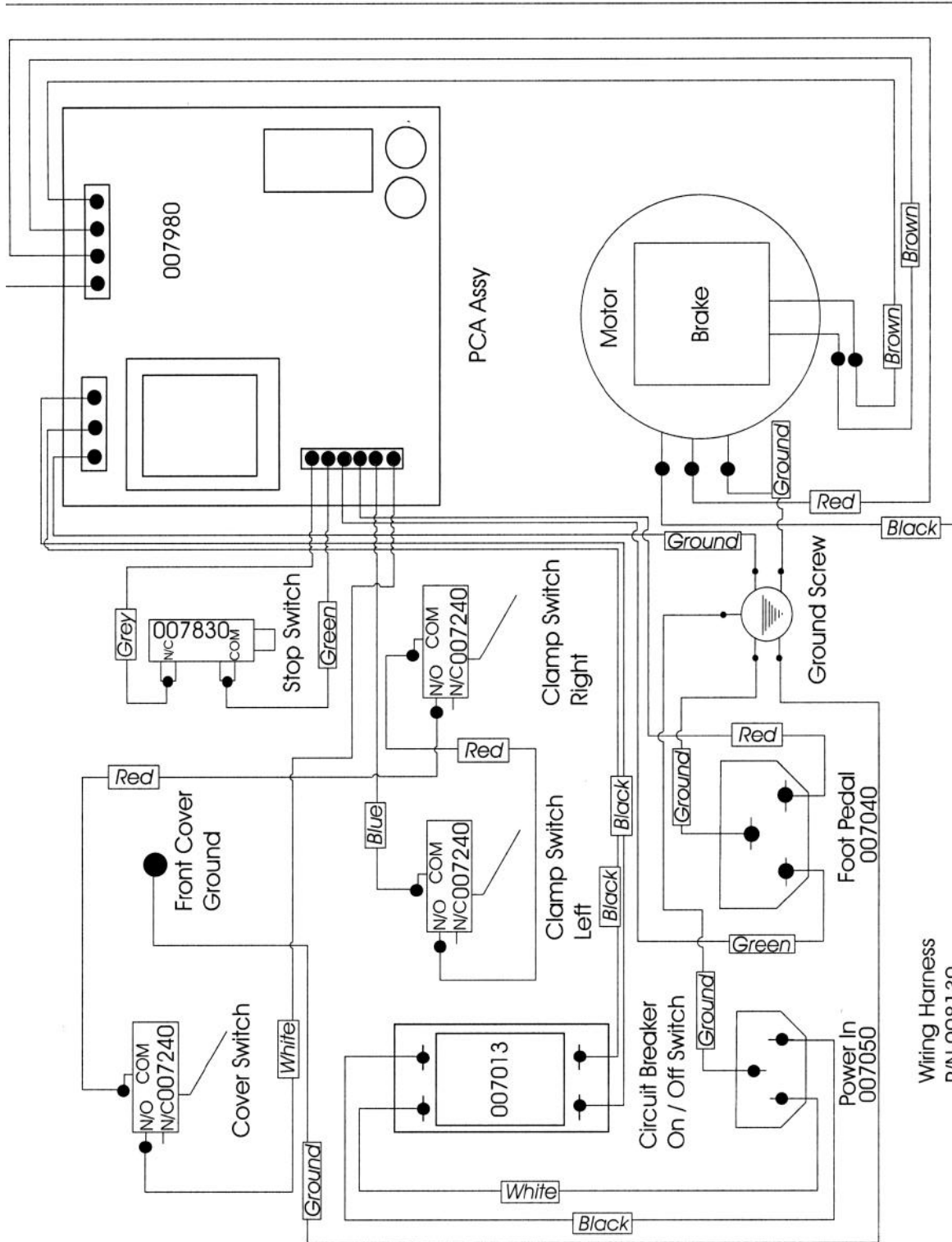
UL - PDi P/N 072180

non UL - PDi P/N 071670

7000 Parts Book

Page 16

- 7000 Schematic - UL W/ PCA Board -



Wiring Harness
P/N 008130

7000 Parts Book

Page 17

7000 Schematic - CE -

